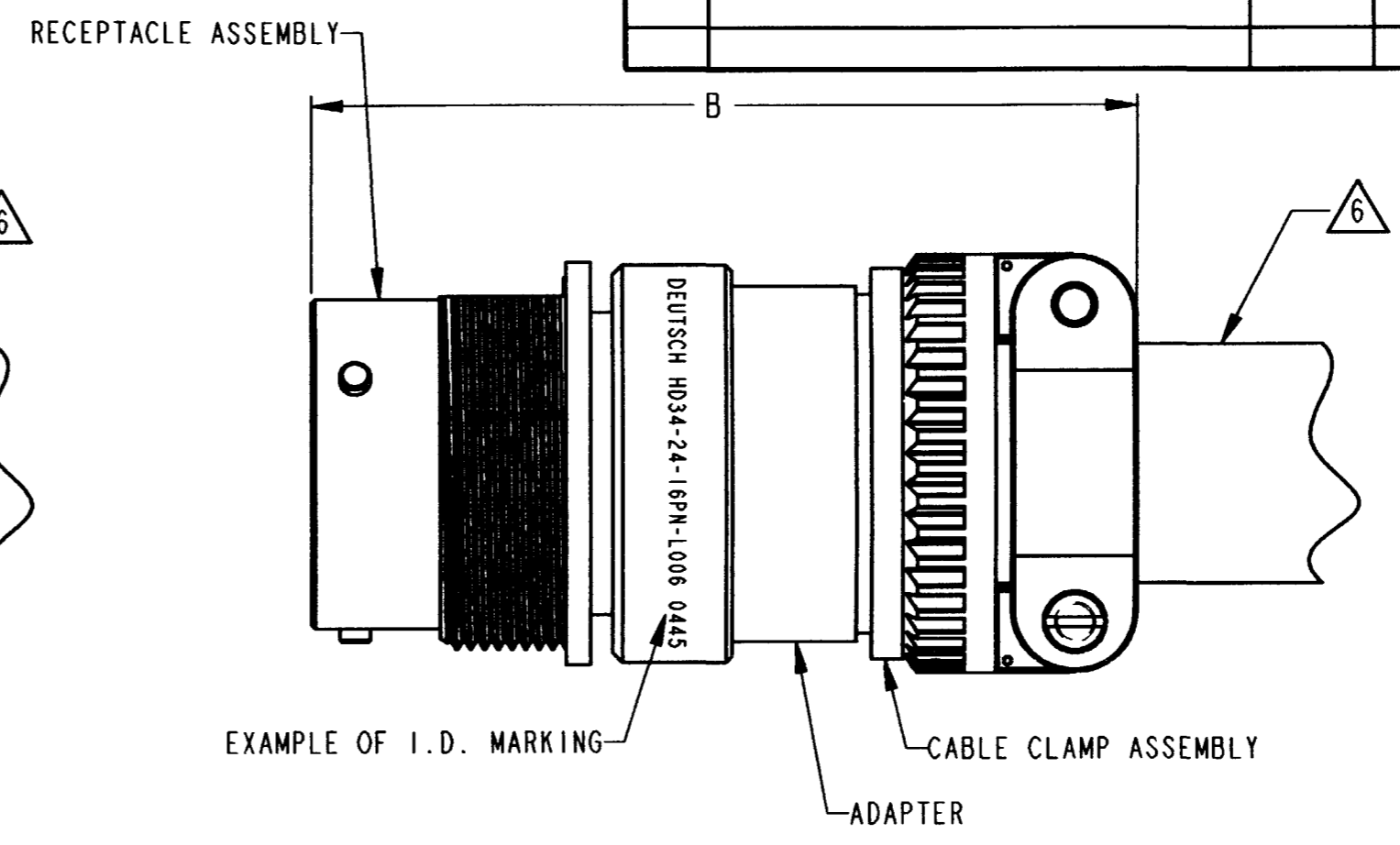
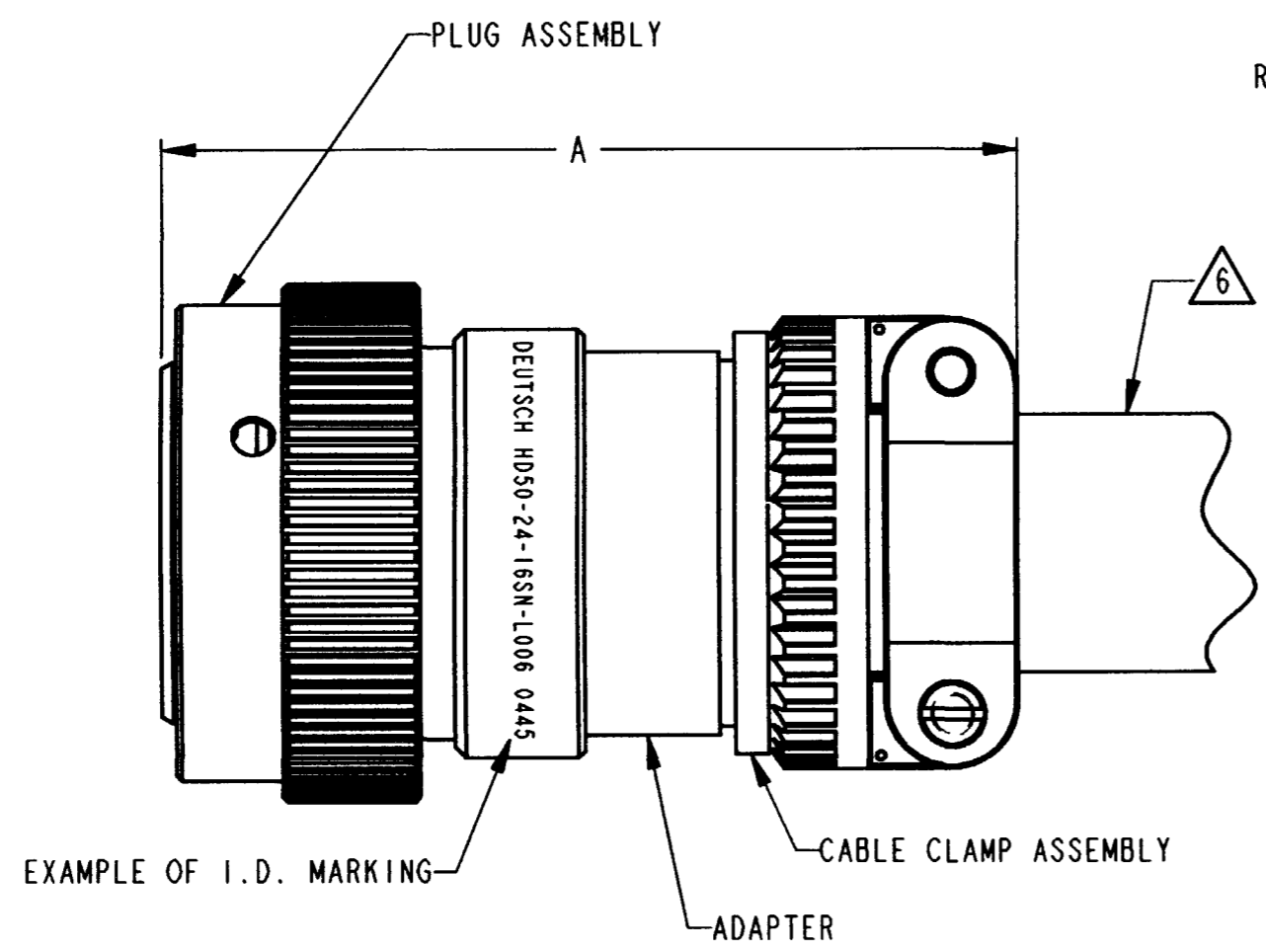


REV NC HD3***P/S*-L006

REVISIONS			
SYM	DESCRIPTION	DATE	APPROVED
NC	NEW RELEASE PER E.O. P18719	10-21-04	RDX



8. DIMENSIONS A AND B ON HD30, HDB, AND HD50 SERIES ARE THE SAME.
7. THIS DWG. SERVES FOR HD30, HDB, AND FOR HD50 SERIES.
6. ONE SIZE 12 AND ONE SIZE 16 BUSHING IS SUPPLIED WITH SIZE 24 CABLE CLAMP ASSEMBLY.
5. CABLE CLAMP ACCESSORIES ARE SHIPPED UNASSEMBLED.
4. FOR ARRANGEMENT OF CONTACT LOCATION SEE ENVELOPE DRAWING 0425-014-2400.
3. FOR CONTACTS AND WIRES PERFORMANCE AND APPLICATION CHARACTERISTICS SEE ENVELOPE DRAWING 0425-015-0000.
2. FOR PERFORMANCE AND APPLICATION CHARACTERISTICS SEE ENVELOPE DRAWING 0425-016-0000.
- NOTES: 1. ALL DIMENSIONS ARE IN INCHES (MILLIMETERS).

SIZE	A ± .125 (A ± 3.18)	B ± .125 (B ± 3.18)
18	3.090 (78.49)	3.217 (81.71)
24	3.191 (81.05)	3.318 (84.28)

SIGNATURE & DATE	
DR	R. MESSENGER 10/15/04
CHK	J. Kim 10/21/04
PE	R. Messenger 10/21/04
APPD	S. Beaud 10/21/04
SCALE	1.5:1 WT

CONNECTORS WITH
ADAPTER AND CABLE
CLAMP ASSEMBLY

ENVELOPE

CP	MATL. CODE
The Deutsch Company DEUTSCH I.P.D. 3850 INDUSTRIAL AVE. HEMET, CALIF. 92545	
B HD3***P/S*-L006	
DWG SIZE	CODE 11139 SHEET OF

X-ON Electronics

Largest Supplier of Electrical and Electronic Components

Click to view similar products for [Automotive Connectors](#) category:

Click to view products by [TE Connectivity](#) manufacturer:

Other Similar products are found below :

[003-018-000](#) [600858](#) [60403001](#) [60993906-B](#) [60993913-B](#) [629515004020001](#) [M902-2131](#) [M902-2161](#) [M902-2344](#) [72.330.1035.1](#)
[73.353.4028.0](#) [F118010](#) [F119300-B](#) [F132210](#) [F132210-B](#) [F166900](#) [F180100](#) [F258300](#) [F258300-B](#) [F294300-B](#) [F339100](#) [F339700](#) [F358300-](#)
[B](#) [F374110](#) [F407400](#) [F412210](#) [F427600](#) [F444110](#) [F487000](#) [F495100-B](#) [F500900-B](#) [F509500B-B](#) [770444-1](#) [776880-1](#) [827153-1](#) [881735-1](#)
[8N1515-32-24P](#) [9-1326727-8](#) [9-1326729-8](#) [925467-1](#) [925474-1](#) [928905-1](#) [936398-2](#) [964562-1](#) [964562-4](#) [964731-2](#) [965051-1](#) [968782-1](#)
[GT17SA-8DS-HU](#) [GT17VS-10DP-5.2CF](#)