

AM Superhet receiver with crystal oscillator 433.92MHz

RCRX-434 is an AM superhet data receiver with PLL synthesizer and crystal oscillator.
ASK/OOK modulation. Metallic shield.
3 Volt version. 5 Volt version.

On request is possible to customize the frequency.



Technical Characteristics

Characteristics		MIN	TYP	MAX	UNIT
V _{cc}	Supply Voltage	3.0 / 4.4		3.6 / 5.0	Vdc
I _s	Current Consumption (RX mode)		5.5		mA
I _s	Current Consumption (Shut down mode)		1		μA
S	RF Sensitivity		-108		dBm
D	Max Data Rate		10		Kbit/s
B	RF Bandwidth 3dB		600		KHz
T	Operating Temperature Range	-40		+55	°C

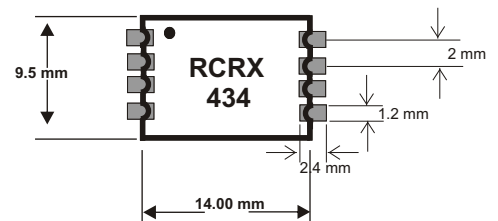
Pin Description

Pads	Name	Description
1	ANT	External antenna
2,3	GND	Ground
4	PD	Power Down
5	DOUT	Data Out
6,7	GND	Ground
8	VCC	Power Supply

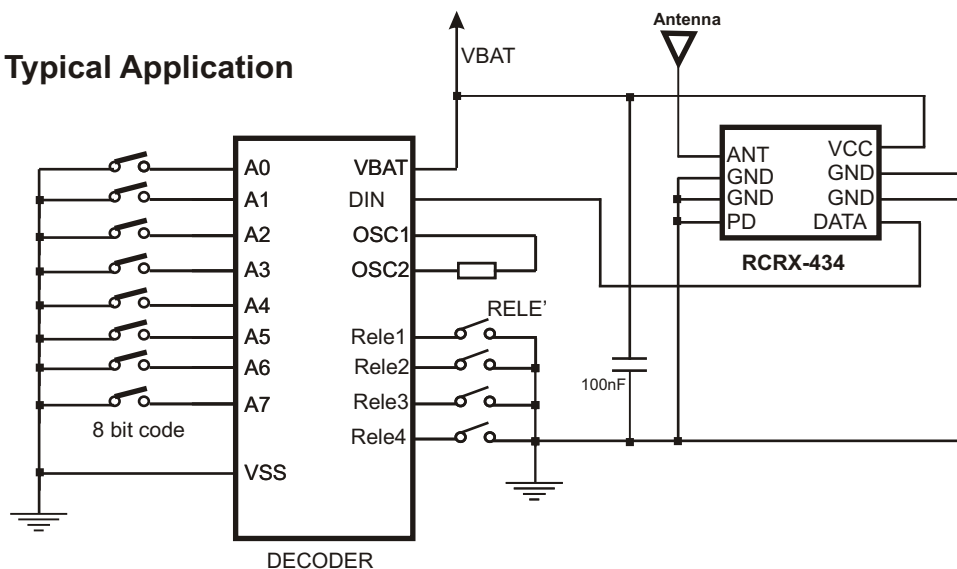


PD = 0V ----> RX ON
PD = 5V ----> RX OFF

Mechanical dimensions



Typical Application



Applications :

- Wireless security systems
- Home and building automation
- Automatic Measure Reading
- Wireless Sensor Network

X-ON Electronics

Largest Supplier of Electrical and Electronic Components

Click to view similar products for [RF Modules](#) category:

Click to view products by [Radiocontrolli](#) manufacturer:

Other Similar products are found below :

[HMC-C009](#) [HMC-C011](#) [nRF24L01P-MODULE-PCB](#) [HMC-C021](#) [HMC-C024](#) [XB9XT-DPRS-721](#) [XBP9B-DMUTB022](#) [nRF24L01P-MODULE-SMA](#) [CMD-KEY2-418-CRE](#) [XM-C92-2P-UA](#) [XB9XT-DPUS-721](#) [V640-A90](#) [HMC-C583](#) [MAAM-008818-TR3000](#) [MTSMC-H5-U](#) [SIMSA868-PRO](#) [SIMSA915C-PRO](#) [SIMSA868C-PRO](#) [SIMSA433C-PRO](#) [SIMSA915-PRO](#) [XBP9B-DMUT-042](#) [HMC-C582](#) [HMC-C022](#) [XBP9B-DPST-041](#) [XBP9B-DMWT-042](#) [SM-MN-00-HF-RC](#) [HMC-C031](#) [MT-02](#) [M1002GB](#) [702-W](#) [SIMSA868C-N-PRO](#) [SIMSA433C-N-PRO](#) [SIMSA915C-N-PRO](#) [ADP-R202-00B](#) [PEPPER WIRELESS C1 USB](#) [S2-10732-Z1T61](#) [S2-107XB-Z2356-Z2352](#) [S2-10672-Z1L85](#) [S2-10686-Z1L1D](#) [S2-10688-Z1L1T](#) [S2-106BA-Z1P20](#) [S2-1060C-Z1F0A](#) [S2-106R4-Z1Q6F-Z1Q6Q](#) [S2-106R4-Z1Q6J-Z1Q6Q](#) [S2-106RB-Z1Q6V-Z1Q6Q](#) [S2-107DR-Z1Y5B](#) [SU60-2230C-PU](#) [RC-TFSK3-868](#) [NANO RFID POE](#) [650201424G](#)