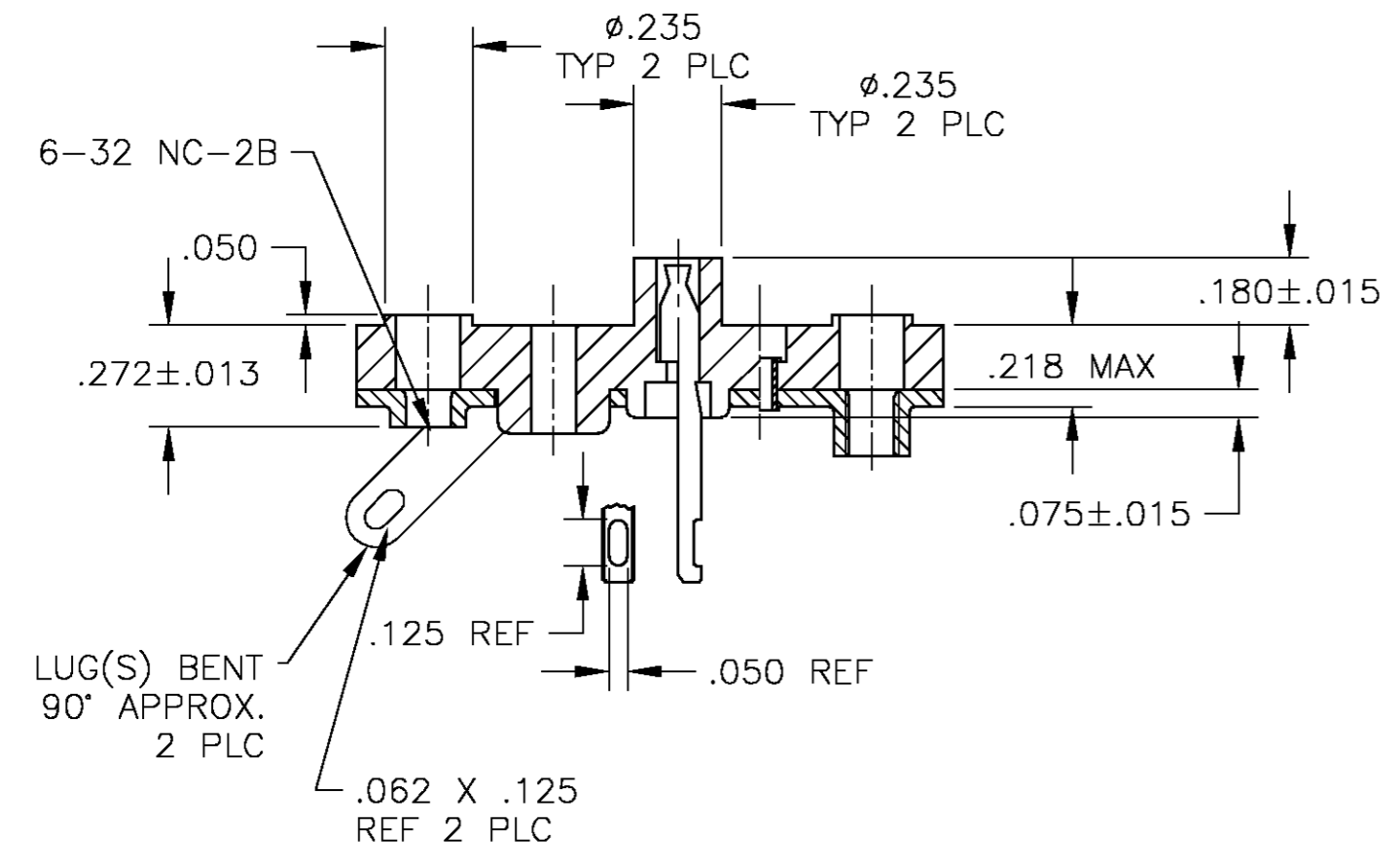
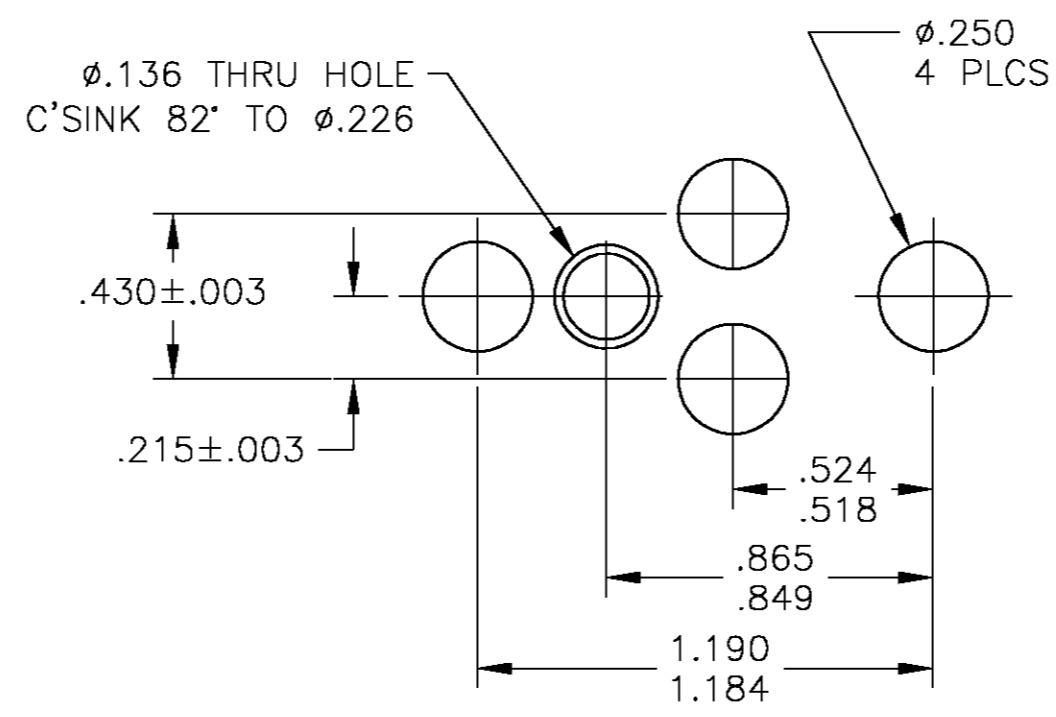
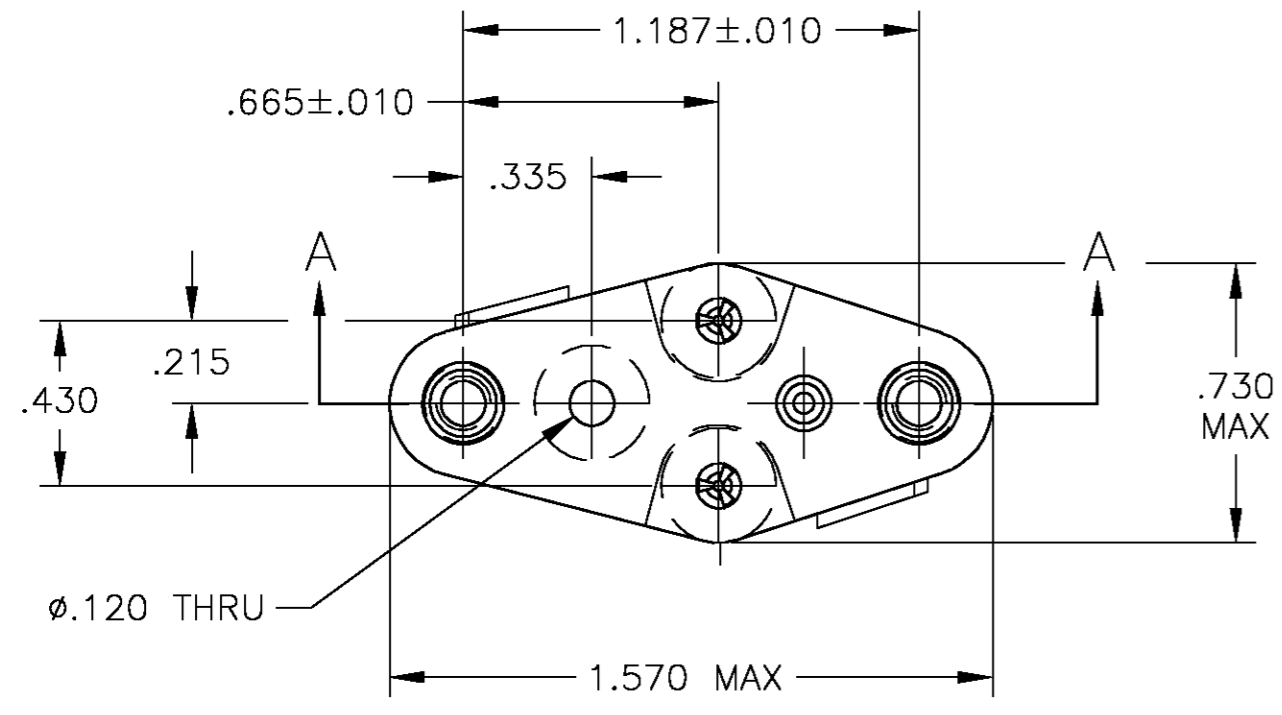


THIS DRAWING IS UNPUBLISHED. RELEASED FOR PUBLICATION
 © COPYRIGHT BY TYCO ELECTRONICS CORPORATION. ALL RIGHTS RESERVED.

LOC		DIST		REVISIONS			
P	LTR	DESCRIPTION	DATE	DWN	APVD		
0		OG3C-02B3-03	03JUN03	TK	KW		



SECTION A-A

RECOMMENDED CHASSIS HOLE LAYOUT

NOTES

- THIS ASSEMBLY IS INTENDED FOR USE WITH SEMI-CONDUCTORS PACKAGED WITHIN THE OUTLINE DIMENSIONS OF THE "TO -3". CONTACTS ARE DESIGNED TO ACCEPT .040+.003/- .002 DIA LEAD WHEN MOUNTED ON 1/8 OR 5/16 THK CHASSIS. PACKAGED WITHIN THE OUTLINE DIMENSIONS OF THE "TO-3". INSULATOR MATERIAL: BLACK PHENOLIC, UL RATED 94 V-0.
- SOCKET SHALL ACCEPT .312 MIN TO .460 MAX LEAD LENGTH.
- CONTACT, 200-400 μIN, TIN-LEAD OVER 100-200 μIN, COPPER, BECU BASE METAL.
EYELET, TIN-LEAD PLATED, BRASS BASE METAL
SADDLE, 180-340 μIN TIN-LEAD OVER 100-180 μIN COPPER, BRASS BASE METAL
- CONTACT, 200-400 μIN TIN (LEAD FREE) OVER 100-200 μIN, COPPER, BECU BASE METAL
EYELET, TIN (LEAD-FREE) PLATED, BRASS BASE METAL
SADDLE, 180-340 μIN TIN (LEAD-FREE) OVER 100-180 μIN COPPER, BRASS BASE METAL
- PRELIMINARY PART, NOT RELEASED FOR PRODUCTION.

6	5	3	6-1437504-7
4	3		5-1437504-1
MATERIAL			PART NUMBER

THIS DRAWING IS A CONTROLLED DOCUMENT.		DWN T.KRAYBILL 10NOV03	Tyco Electronics Corporation Harrisburg, Pa	
DIMENSIONS: INCHES	TOLERANCES UNLESS OTHERWISE SPECIFIED:	CHK K WRIGHT 11APR03	APVD K WRIGHT 11APR03	NAME GPL A48 - 8080 POWER TRANSISTOR SOCKET
	0 PLC ± - 1 PLC ± - 2 PLC ± - 3 PLC ± - 4 PLC ± - ANGLES ± - FINISH -	PRODUCT SPEC APPLICATION SPEC	SIZE A2	CAGE CODE 00779
MATERIAL -		WEIGHT -	DRAWING NO 5-1437504-1	RESTRICTED TO -
CUSTOMER DRAWING			SCALE 1:1	SHEET 1 OF 1

5-1437504-1

X-ON Electronics

Largest Supplier of Electrical and Electronic Components

Click to view similar products for [IC & Component Sockets](#) category:

Click to view products by [TE Connectivity](#) manufacturer:

Other Similar products are found below :

[714-43-102-31-012000](#) [0066-3-17-15-30-14-02-0](#) [0134-0-15-15-32-27-04-0](#) [614-DG5](#) [6527-0-00-15-00-00-03-0](#) [670](#) [672](#) [673](#) [712-93-120-41-001000](#) [714-93-104-31-018000](#) [8059-4G1-LF](#) [807-22-001-10-001101](#) [807-22-001-10-003101](#) [807-22-001-10-004101](#) [807-22-001-10-006101](#) [807-22-001-30-011101](#) [807-22-001-30-012101](#) [807-22-001-30-013101](#) [807-22-001-30-014101](#) [8-1437531-4](#) [8150-6P10](#) [833-93-034-10-001000](#) [835-43-014-10-001000](#) [851-41-006-10-001000](#) [851-43-008-20-001000](#) [851-43-014-20-001000](#) [851-93-006-20-001000](#) [851-93-010-20-001000](#) [853-43-020-10-001000](#) [86.010.0053.0](#) [116-43-306-41-003000](#) [116-43-308-41-007000](#) [116-87-308-41-007101](#) [PX-68LCC](#) [PX-84LCC](#) [121-13-318-41-001000](#) [121-13-320-41-001000](#) [121-13-308-41-001000](#) [123-43-314-41-801000](#) [123-43-420-41-001000](#) [123-43-636-41-001000](#) [123-87-320-41-001101](#) [122-13-316-41-001000](#) [123-13-624-41-001000](#) [123-43-306-41-001000](#) [123-43-322-41-801000](#) [123-43-428-41-001000](#) [123-43-624-41-001000](#) [12-3513-11](#) [123-91-320-41-001000](#)