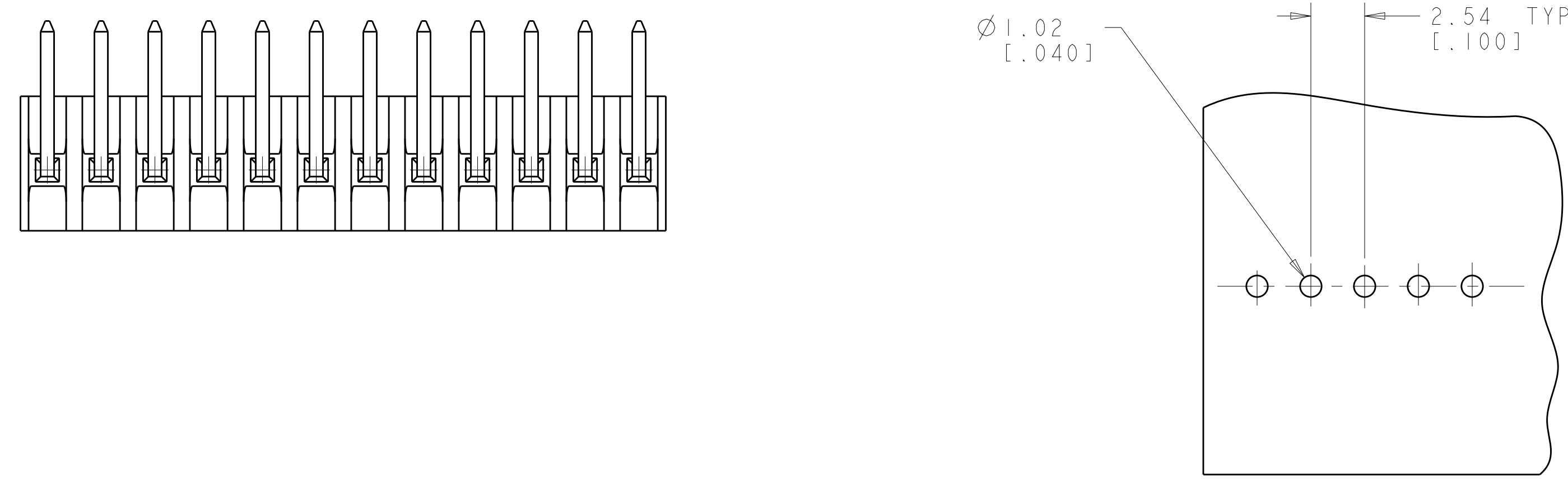
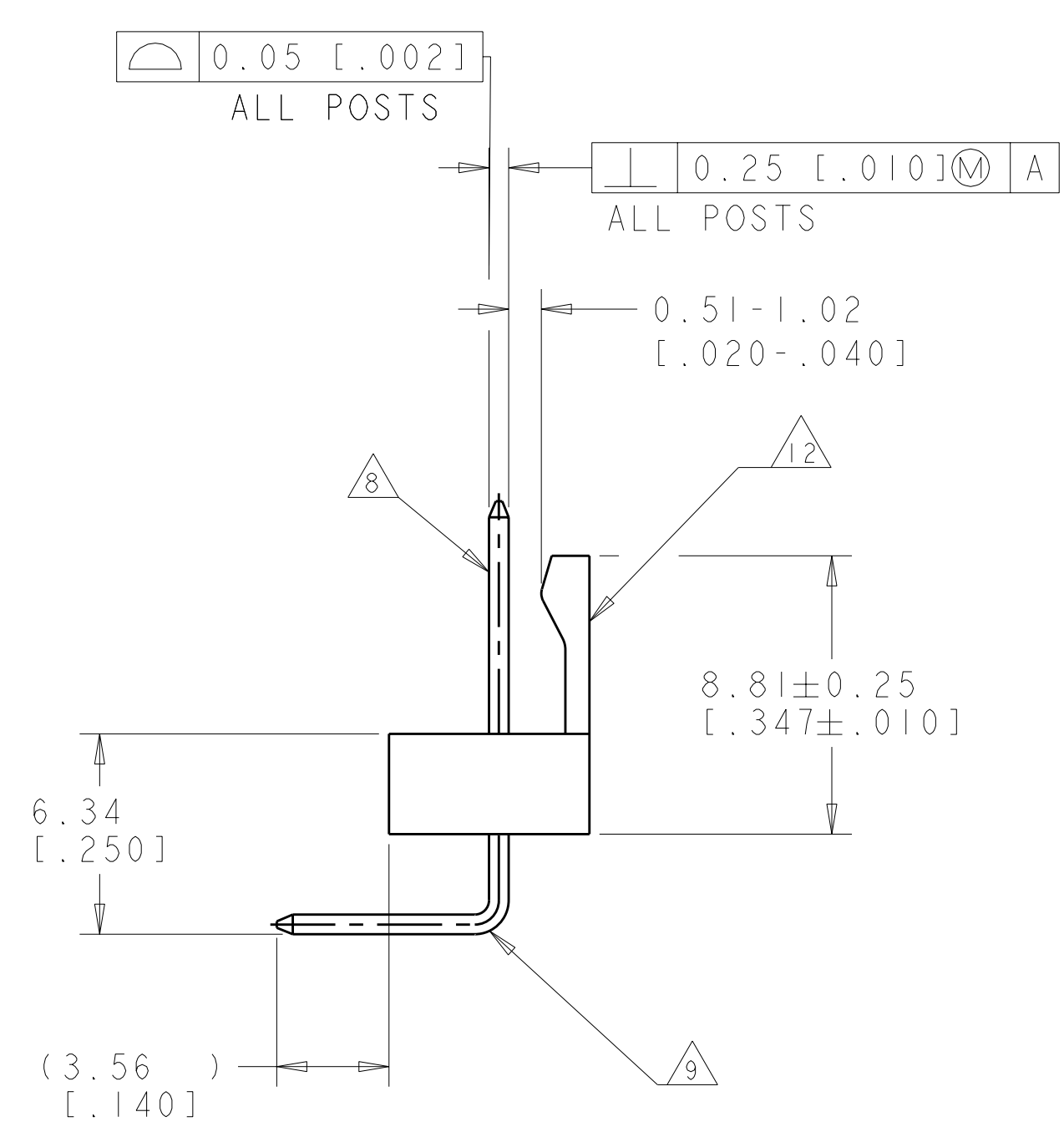
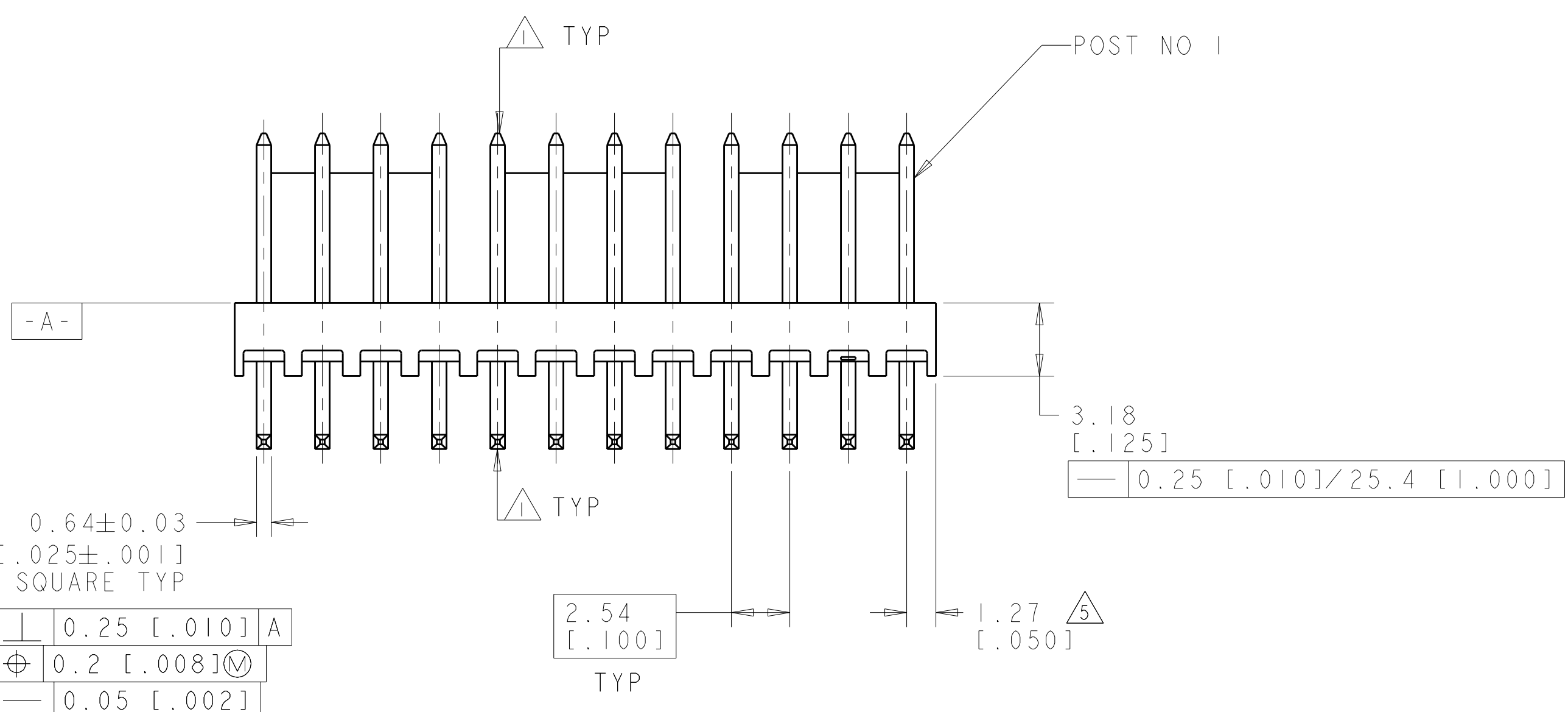
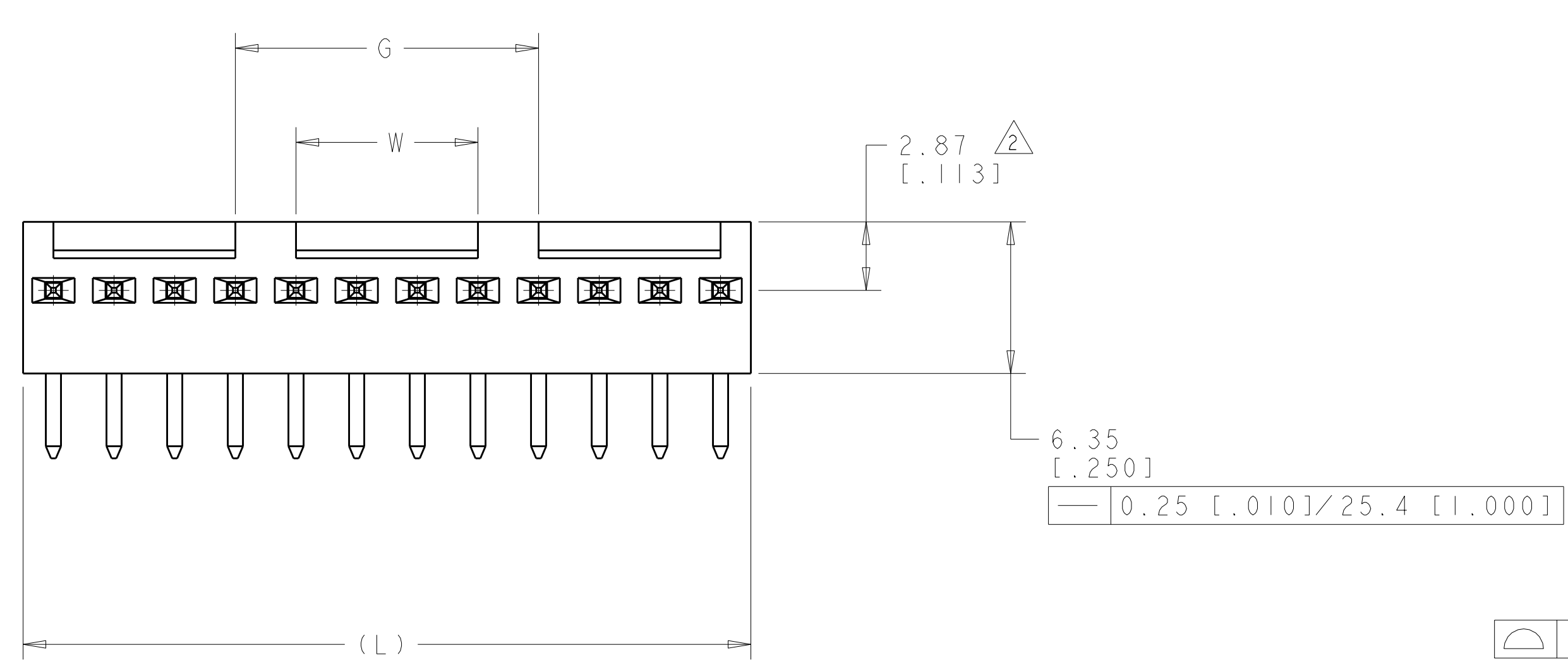


LOC	DIST	REV	DATE	BY	APPD
CM	00	E	06NOV11	KH	SM



RECOMMENDED MOUNTING HOLE PATTERN FOR 1.57±0.20 [0.062±0.008] THICK P.C. BOARD

- 1. POST WITHSTAND 13 NEWTONS (3 LBS) MIN AXIAL FORCE IN DIRECTION SHOWN WITHOUT DISLODGING.
- 2. MEASURED AT -A-.
- 3. PARTS COMPLY WITH SOLDERABILITY SPEC 109-11-2.
- 4. MATERIAL: HEADER - PBT GLASS FILLED, BLACK. POST - COPPER ALLOY (SEE NOTES 8,9, & 13 FOR PLATING.)
- 5. COORDINATE DIMENSION APPLIES FROM CENTER OF ACTUAL FEATURE.
- 6. POSTS TO BE MEASURED WHEN STRIP HELD FLAT.
- 7. DIMENSIONS IN BRACKETS ARE IN INCHES.
- 8. PLATING: GOLD PLATE AREA, 0.00076 [0.000030] GOLD OR 0.00008 [0.000003] MIN GOLD FLASH OVER 0.00068 [0.000027] PALLADIUM NICKEL, PER TE CONNECTIVITY'S DISCRETION, ALL SIDES, OVER NICKEL UNDERPLATE, 0.00127 [0.000050] MIN, ALL SIDES AND ENTIRE LENGTH OF POST.
- 9. BRIGHT TIN/LEAD (93/7) PLATE AREA, 0.00381-0.00889 [0.000150-.000350] THICK, ALL FOUR SIDES, 3.56 [0.140] MIN.
- 10. TOLERANCES APPLY TO SOLDER SIDE OF BOARD.
- 11. ONE HOLE MAY BE UNDERSIZED 0.81-0.90 [0.032-.035] DIAMETER FOR ASSEMBLY RETENTION DURING PROCESSING.
- 12. AMP LOGO, UL, AND CSA TRADEMARKS TO APPEAR ON THIS SURFACE.
- 13. MATTE TIN PLATE AREA, 0.00381-0.00889 [0.000150-.000350] THICK, ALL FOUR SIDES, 3.56 [0.140] MIN.
- 14. OBSOLETE PARTS: OBSOLETE CIS STREAMLINING PER D.RENAUD/D.SINISI

7.62 [0.300]	12.70 [0.500]	30.48 [1.200]	12	4-647629-2
-	10.16 [0.400]	27.94 [1.100]	11	4-647629-1
-	7.62 [0.300]	25.40 [1.000]	10	4-647629-0
-	5.08 [0.200]	22.86 [0.900]	9	3-647629-9
-	-	20.32 [0.800]	8	3-647629-8
-	-	17.78 [0.700]	7	3-647629-7
-	-	15.24 [0.600]	6	3-647629-6
-	-	12.70 [0.500]	5	3-647629-5
-	-	10.16 [0.400]	4	3-647629-4
-	-	7.62 [0.300]	3	3-647629-3
-	-	5.08 [0.200]	2	3-647629-2
7.62 [0.300]	12.70 [0.500]	30.48 [1.200]	12	1-647629-2
-	10.16 [0.400]	27.94 [1.100]	11	1-647629-1
-	7.62 [0.300]	25.40 [1.000]	10	1-647629-0
-	5.08 [0.200]	22.86 [0.900]	9	647629-9
-	-	20.32 [0.800]	8	647629-8
-	-	17.78 [0.700]	7	647629-7
-	-	15.24 [0.600]	6	647629-6
-	-	12.70 [0.500]	5	647629-5
-	-	10.16 [0.400]	4	647629-4
-	-	7.62 [0.300]	3	647629-3
-	-	5.08 [0.200]	2	647629-2
W	G	L	NO OF POSN	PART NO

SUPERCEDED BY 4-647629-2
SUPERCEDED BY 4- -1
SUPERCEDED BY 4- -0
SUPERCEDED BY 3- -9
SUPERCEDED BY 3- -8
SUPERCEDED BY 3- -7
SUPERCEDED BY 3- -6
SUPERCEDED BY 3- -5
SUPERCEDED BY 3- -4
SUPERCEDED BY 3-647629-3
OBSOLETE



THIS DRAWING IS A CONTROLLED DOCUMENT.

APPROVED: D. BOSSI 13-DEC-2002

TE Connectivity

NAME: MTA-100 HEADER ASSEMBLY, FRICTION LOCK, .025 SQUARE, RIGHT ANGLE, FRONT BEND POST, .000030 GOLD

SIZE: A100779 C=647629

SCALE: 5:1

REV E

X-ON Electronics

Largest Supplier of Electrical and Electronic Components

Click to view similar products for [Headers & Wire Housings](#) category:

Click to view products by [TE Connectivity](#) manufacturer:

Other Similar products are found below :

[95000-104TRLF](#) [10135584-644402LF](#) [DF62W-EP2022PCA](#) [95000-106TRLF](#) [DF62W-2022SCA](#) [DF62W-EP2022PC](#) [2203348](#) [DF62W-2022SC](#) [1084018](#) [1029039](#) [1084017](#) [802-10-012-10-002000](#) [1112640](#) [1112639](#) [000-34000](#) [0009482033](#) [0009507031](#) [57102-S06-03LF](#) [57202-S52-04LF](#) [PCN6-15S-2.5E](#) [0039019024](#) [58102-G61-06LF](#) [582553-1](#) [0009485154](#) [0009508121](#) [0022285053](#) [0050291907](#) [018731A](#) [LY20-4P-DT1-P1E-BR](#) [02.125.8002.8](#) [60101931](#) [60598-1 \(Cut Strip\)](#) [M1625-3R/100](#) [61062-3](#) [61082-181009](#) [636-1427](#) [638009-1](#) [641938-9](#) [641991-4](#) [644168-1](#) [647662-1](#) [65039-019ELF](#) [65817-002LF](#) [65817-015LF](#) [65863-015LF](#) [66207-023LF](#) [67016-026LF](#) [67046-001LF](#) [67095-007LF](#) [67230-005LF](#)