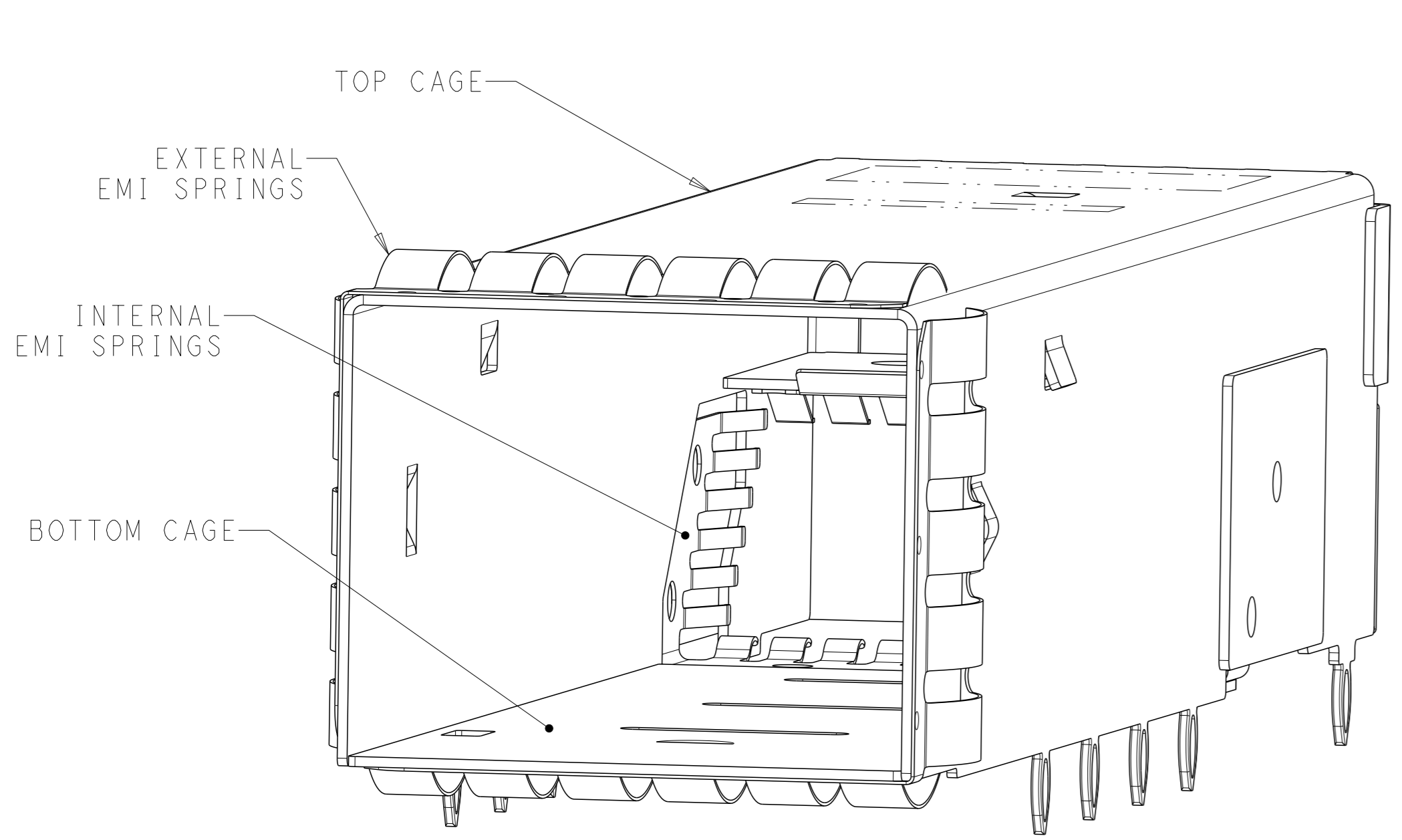
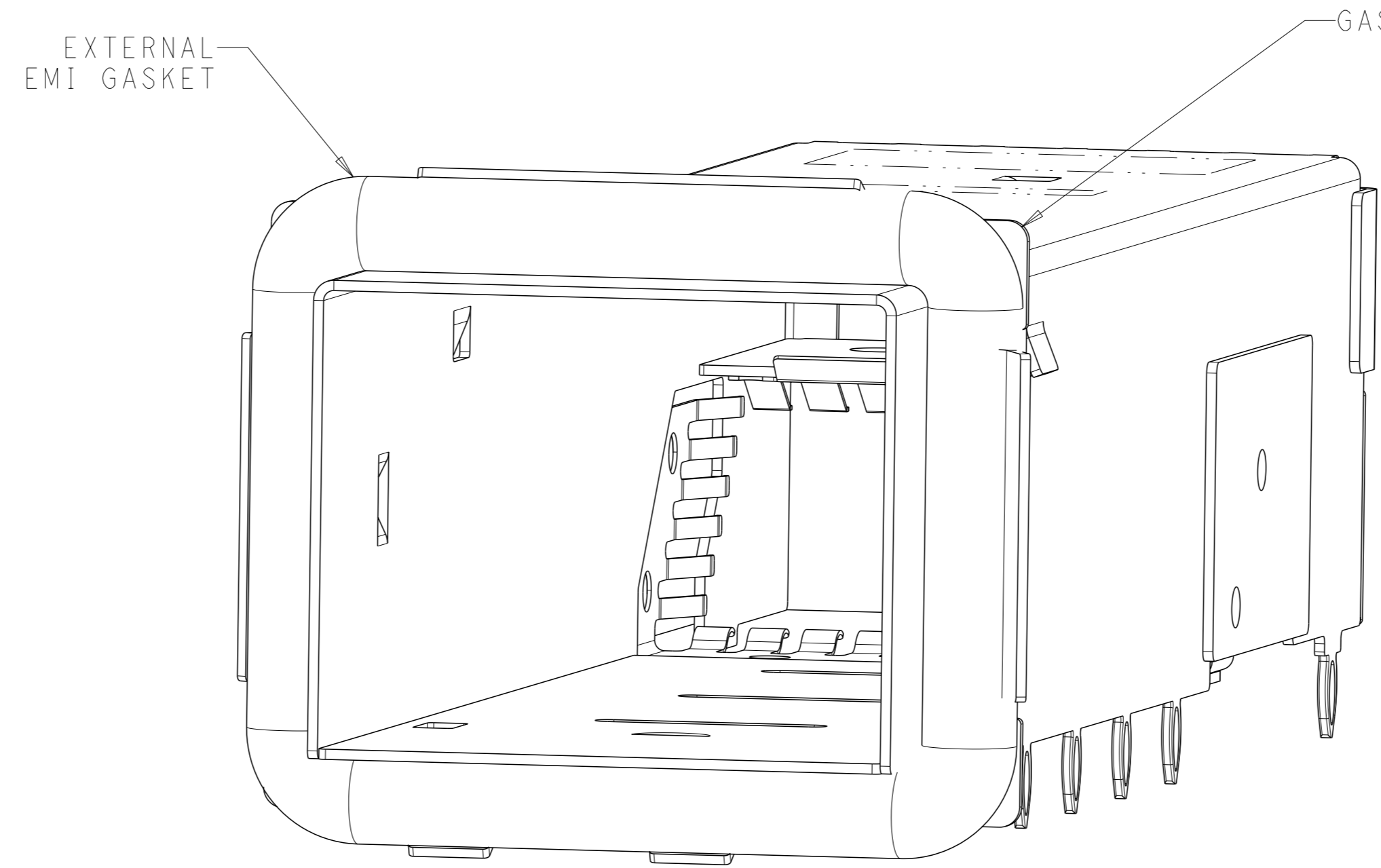


REVISIONS					
#	DATE	DESCRIPTION	DATE	OWN	APVD
A		REVISED PER ECO-17-013049	05OCT2017	A.P	E.B

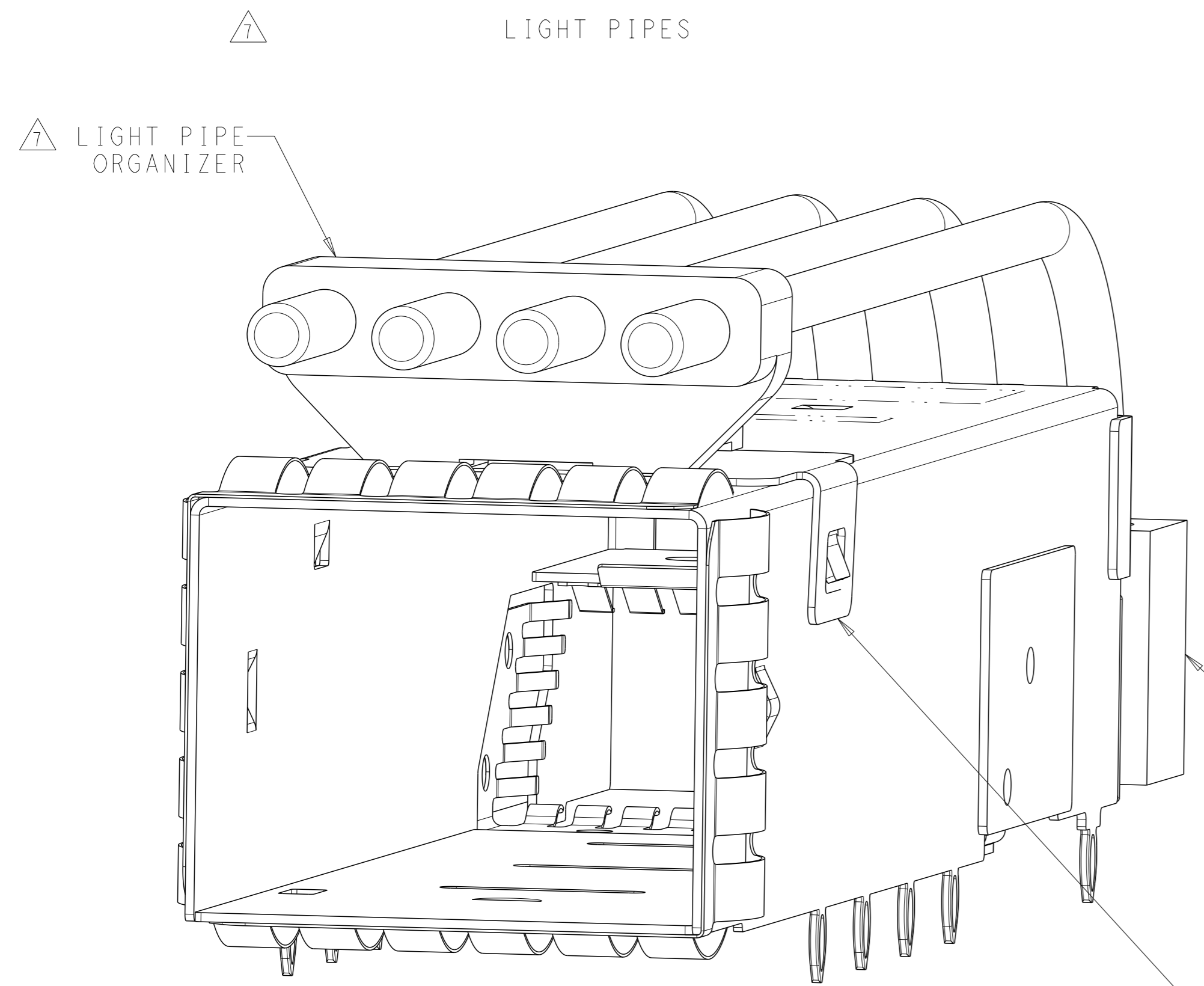


2297551-1
ISOMETRIC VIEW
SCALE 8:1



2297551-2
ISOMETRIC VIEW
SCALE 8:1

1. MATERIALS:
 TOP AND BOTTOM CAGE - STAINLESS STEEL
 GASKET FLANGE - STAINLESS STEEL
 EXTERNAL EMI SPRINGS - COPPER ALLOY
 EXTERNAL EMI GASKET - NICKEL CARBON
 INTERNAL EMI SPRINGS - COPPER ALLOY
 LIGHT PIPES - CLEAR POLYCARBONATE
 LIGHT PIPE ORGANIZERS - POLYCARBONATE
 LIGHT PIPE BRACKET - STAINLESS STEEL
- △2 FOR HOLE SIZE AND PLATINGS SEE APPLICATION SPEC 114-32151.
 - △3 NOTE REMOVED.
 - △4 LED PLACEMENT AREA FOR 4 LIGHT PIPE DASH NUMBERS.
 - △5 LED PLACEMENT AREA FOR 2 LIGHT PIPE DASH NUMBERS.
 - △6 LED PLACEMENT AREA FOR 1 LIGHT PIPE DASH NUMBERS.
 - △7 LIGHT PIPE ASSEMBLY SHOWN ASSEMBLED TO CAGE ASSEMBLY FOR REFERENCE. LIGHT PIPE ASSEMBLY IS SHIPPED UNASSEMBLED TO CAGE ASSEMBLY.
 - △8 COMPONENT KEEPOUT AND SURFACE TRACE KEEPOUT (EXCEPT CHASSIS GROUND).
 - △9 COMPONENT KEEPOUT.



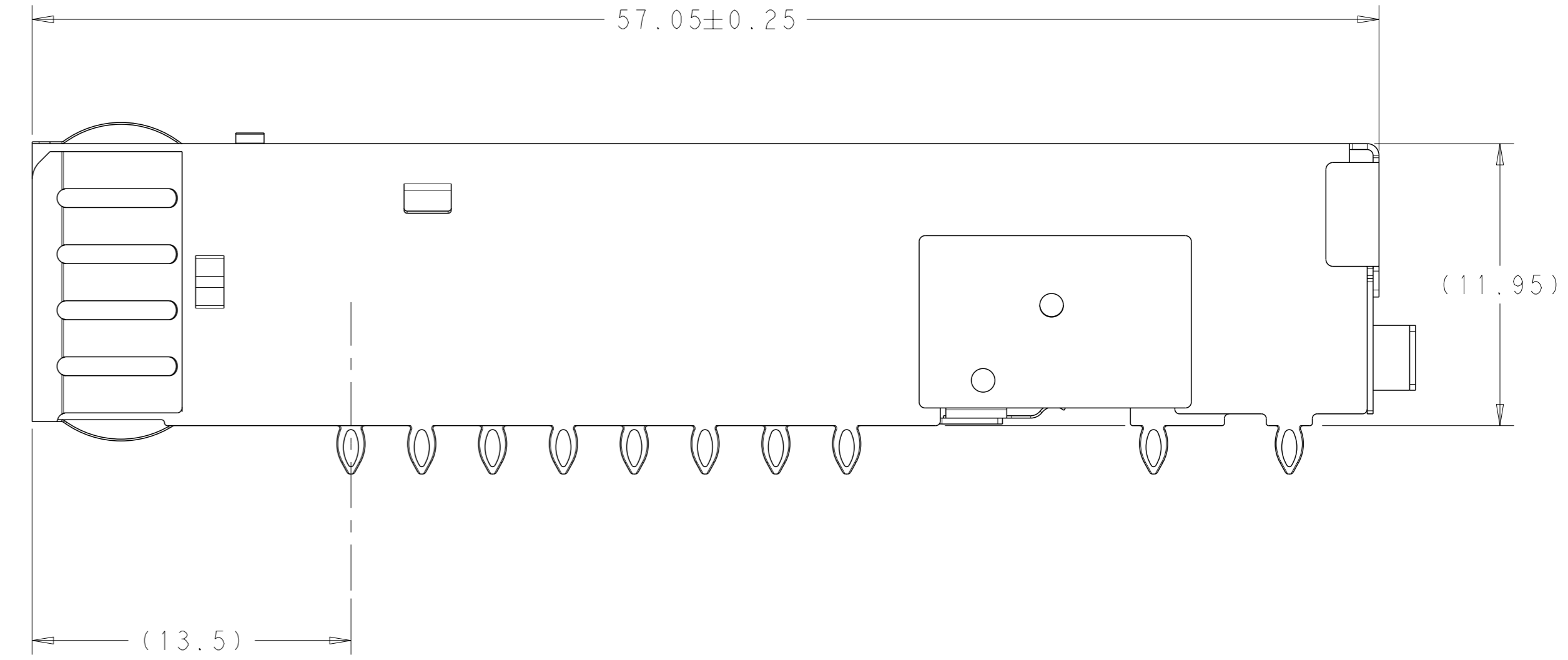
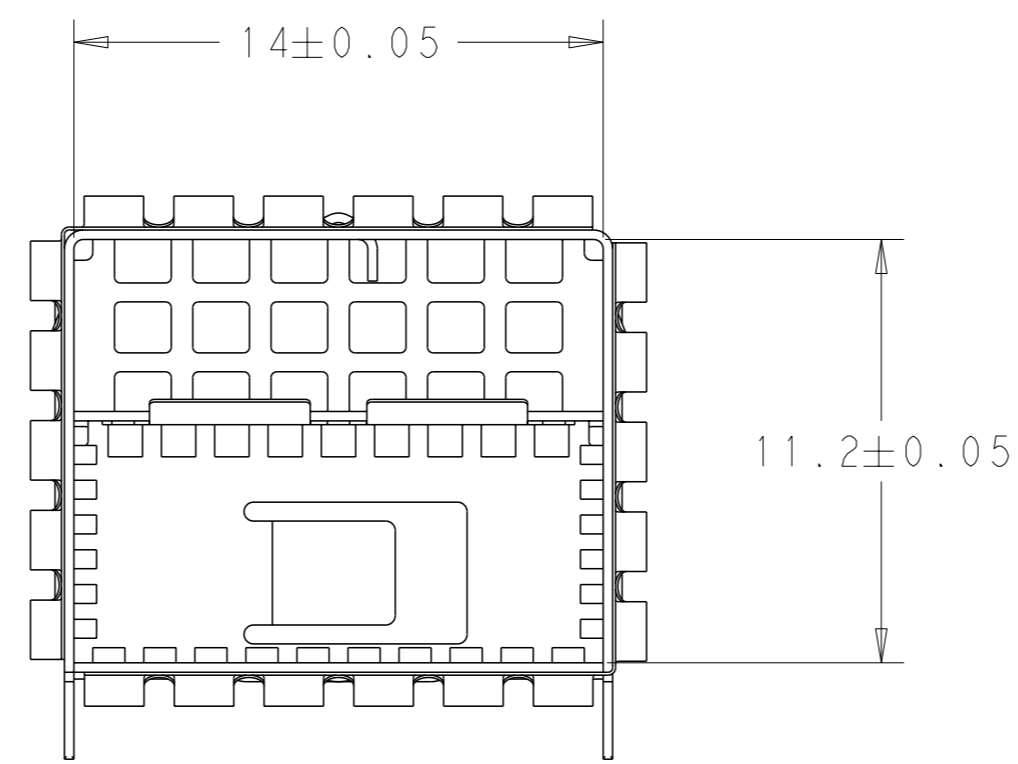
LIGHT PIPES

LIGHT PIPE ORGANIZER

LIGHT PIPE ORGANIZER

LIGHT PIPE BRACKET

4-2297551-1
ISOMETRIC VIEW
SCALE 8:1



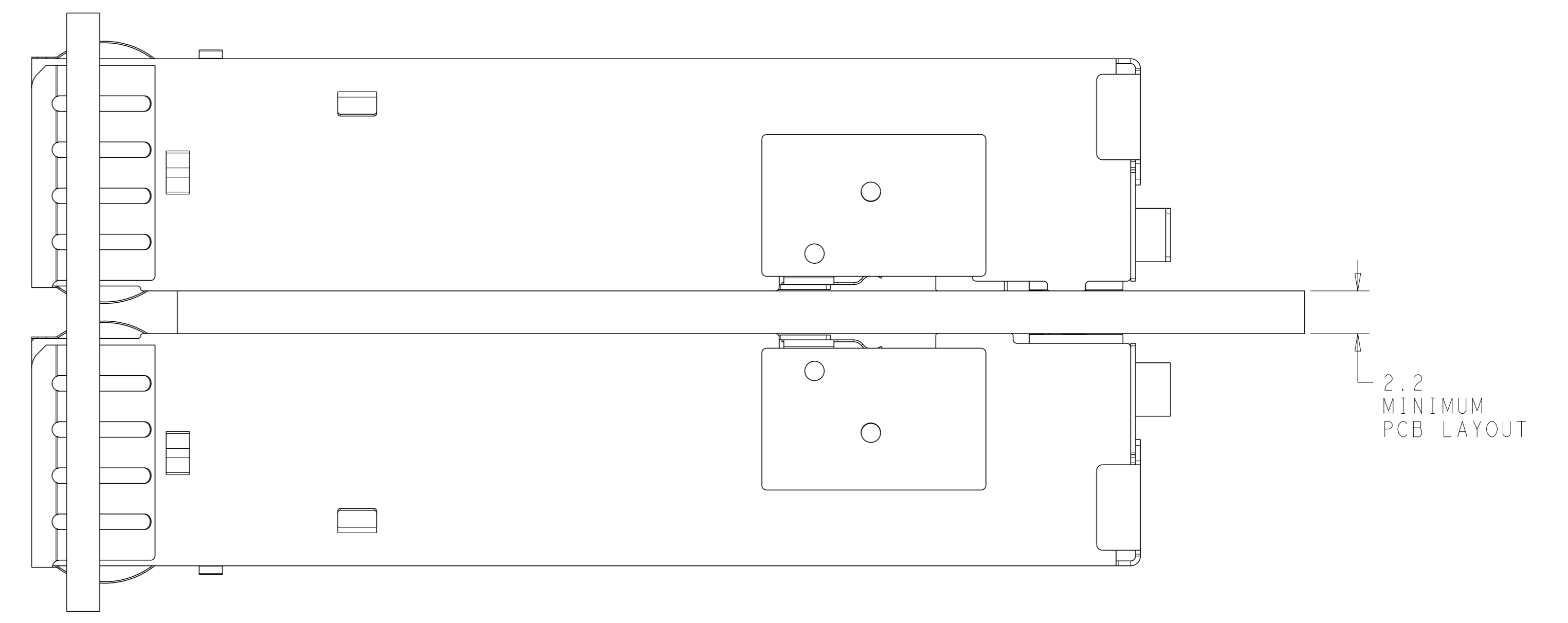
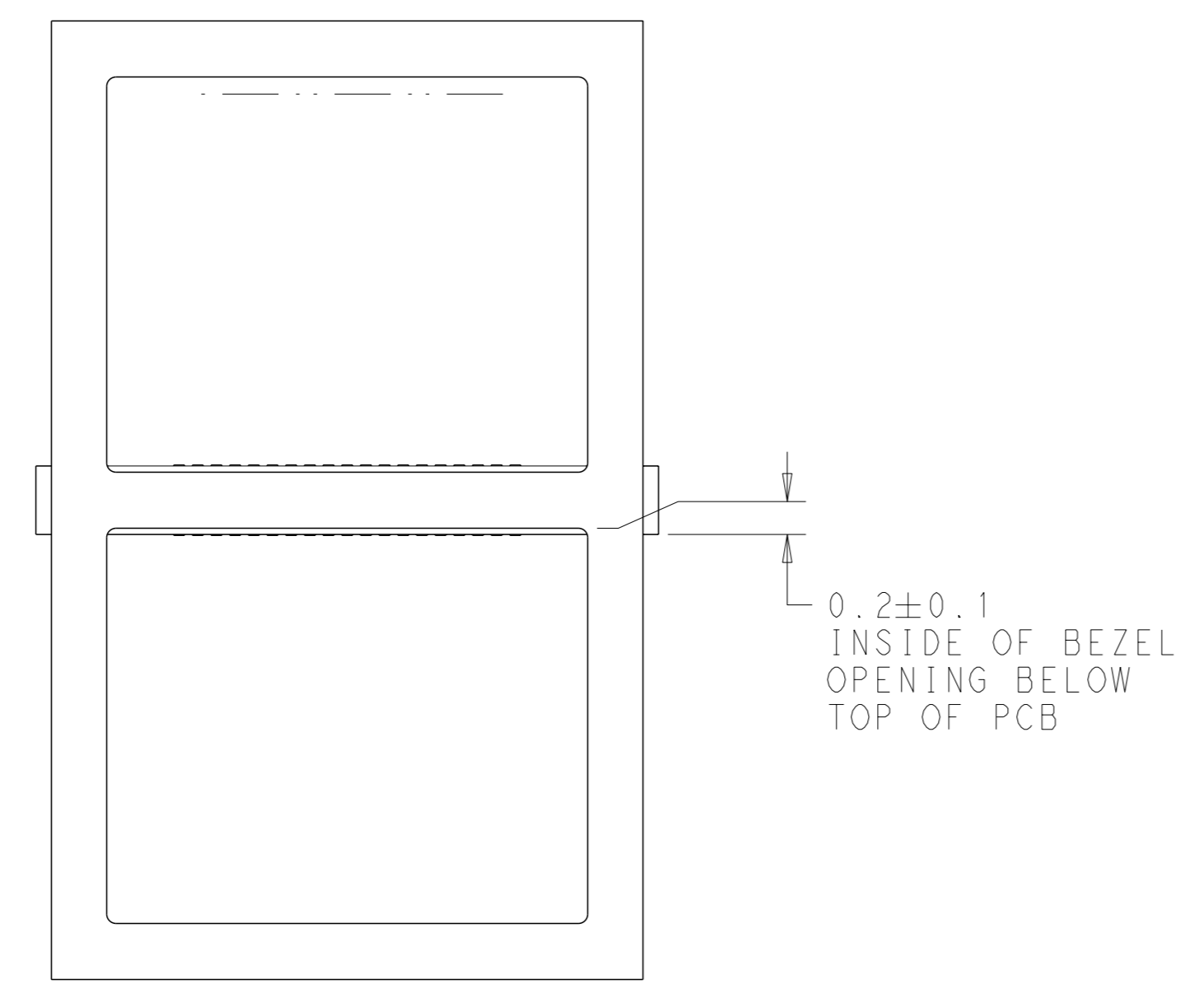
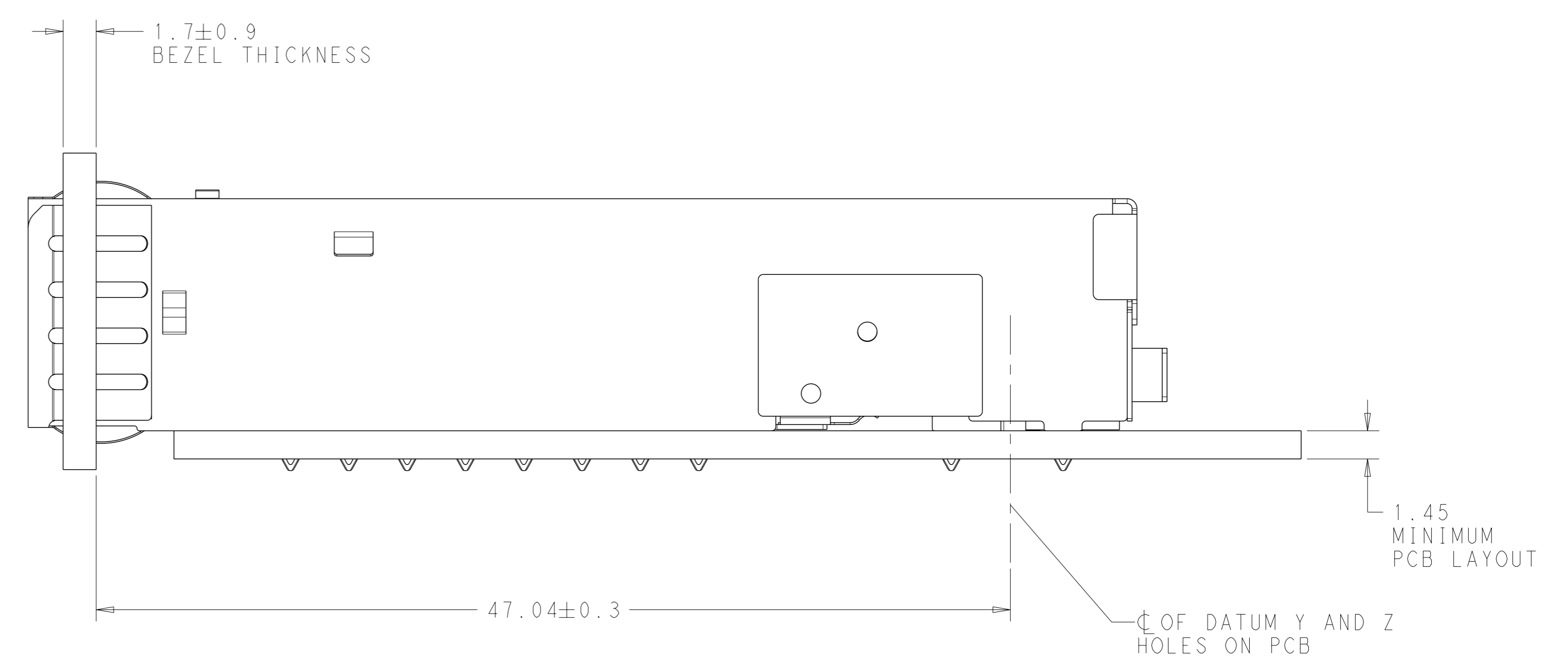
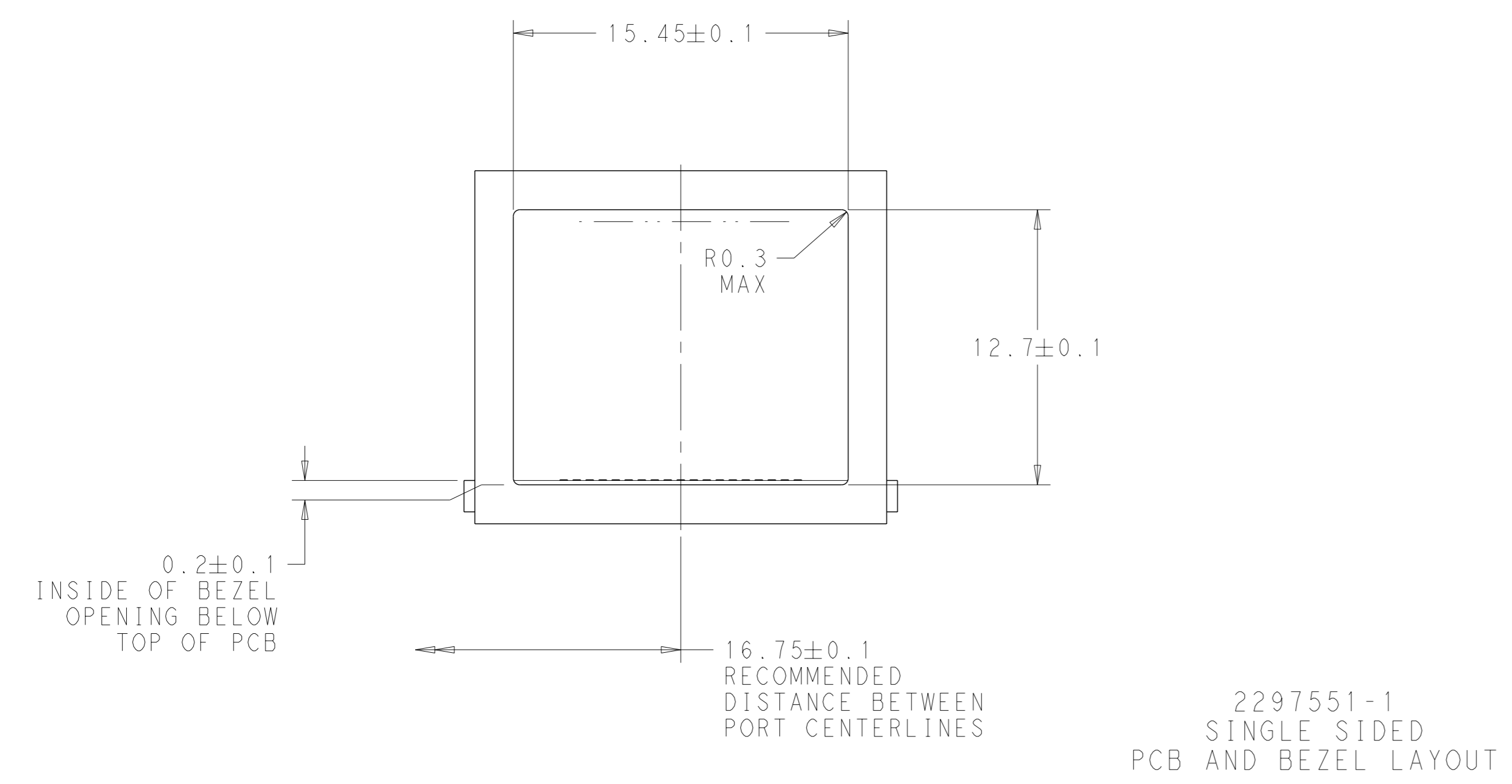
4	GASKET	4-2297551-2
4	SPRING	4-2297551-1
2	GASKET	2-2297551-2
2	SPRING	2-2297551-1
1	GASKET	1-2297551-2
1	SPRING	1-2297551-1
0	GASKET	2297551-2
0	SPRING	2297551-1
LIGHT PIPES PER PORT		EXTERNAL EMI SHIELDING PART NUMBER

THIS DRAWING IS A CONTROLLED DOCUMENT.

OWN	C. VALENTINE	19JAN2016
CHK	E. BRIANT	19JAN2016
APVD	E. BRIANT	19JAN2016
NAME	CAGE ASSEMBLY, SINGLE PORT, microQSFP	
PRODUCT SPEC	108-32129	
APPLICATION SPEC	114-32151	
SIZE	A1	RESTRICTED TO
SCALE	5:1	SHEET 1 OF 6
REV	A	

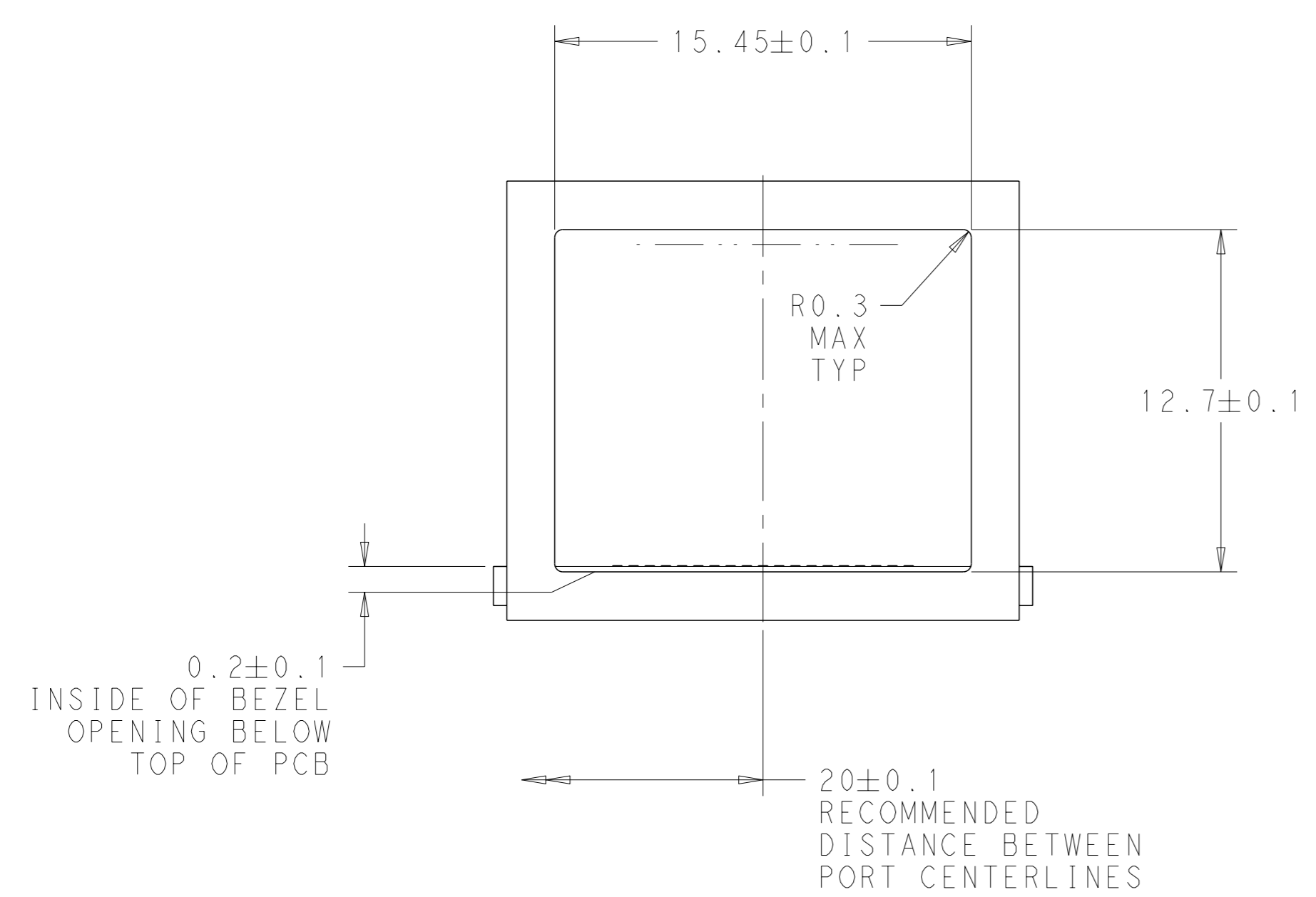
Customer Drawing

REVISIONS				
#	LY#	DESCRIPTION	DATE	OWN / APVD
-	-	SEE SHEET 1	-	-

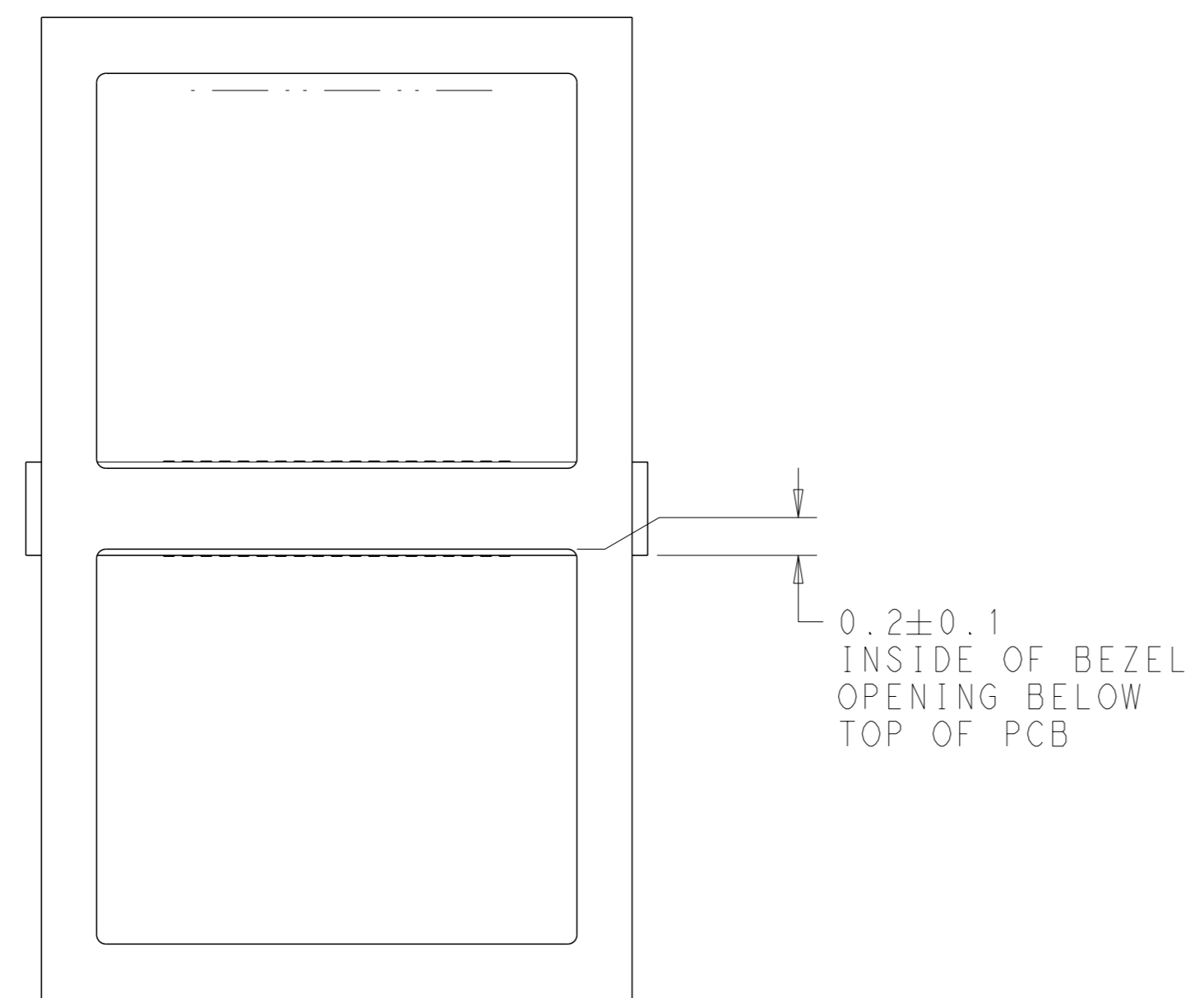
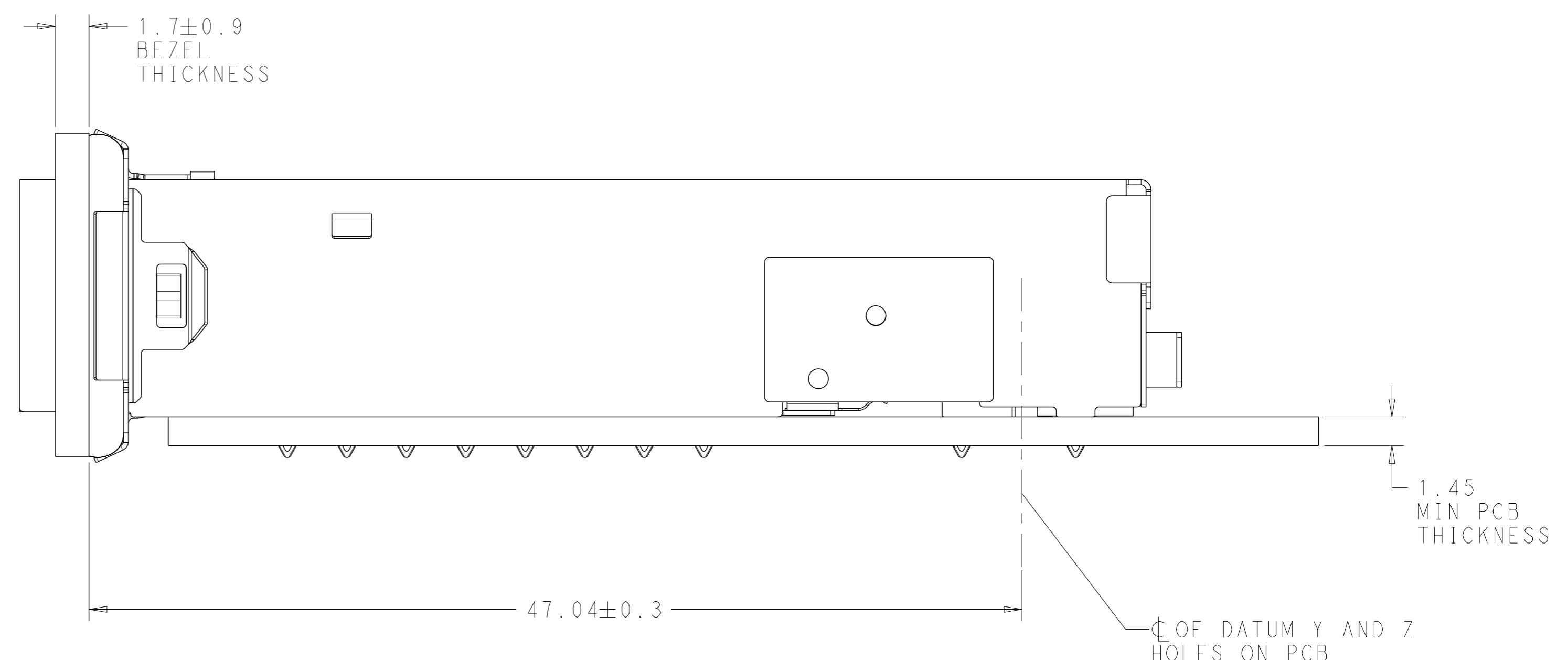


THIS DRAWING IS A CONTROLLED DOCUMENT.		OWN C. VALENTINE 19JAN2016	TE Connectivity	
DIMENSIONS:		CHK E. BRIANT 19JAN2016	NAME CAGE ASSEMBLY, SINGLE PORT, microQSFP	
mm	TOLERANCES UNLESS OTHERWISE SPECIFIED:	APVD E. BRIANT 19JAN2016	PRODUCT SPEC 108-32129	
	0 PLC ±	APPLICATION SPEC		
	1 PLC ±	SIZE A1		
	2 PLC ±	CAGE CODE DRAWING NO -		
	3 PLC ±	RESTRICTED TO -		
	4 PLC ±	SCALE 5:1		
	ANGLES ±	SHEET 2 OF 6		
	FINISH #1	REV A		
MATERIAL		WEIGHT	Customer Drawing	

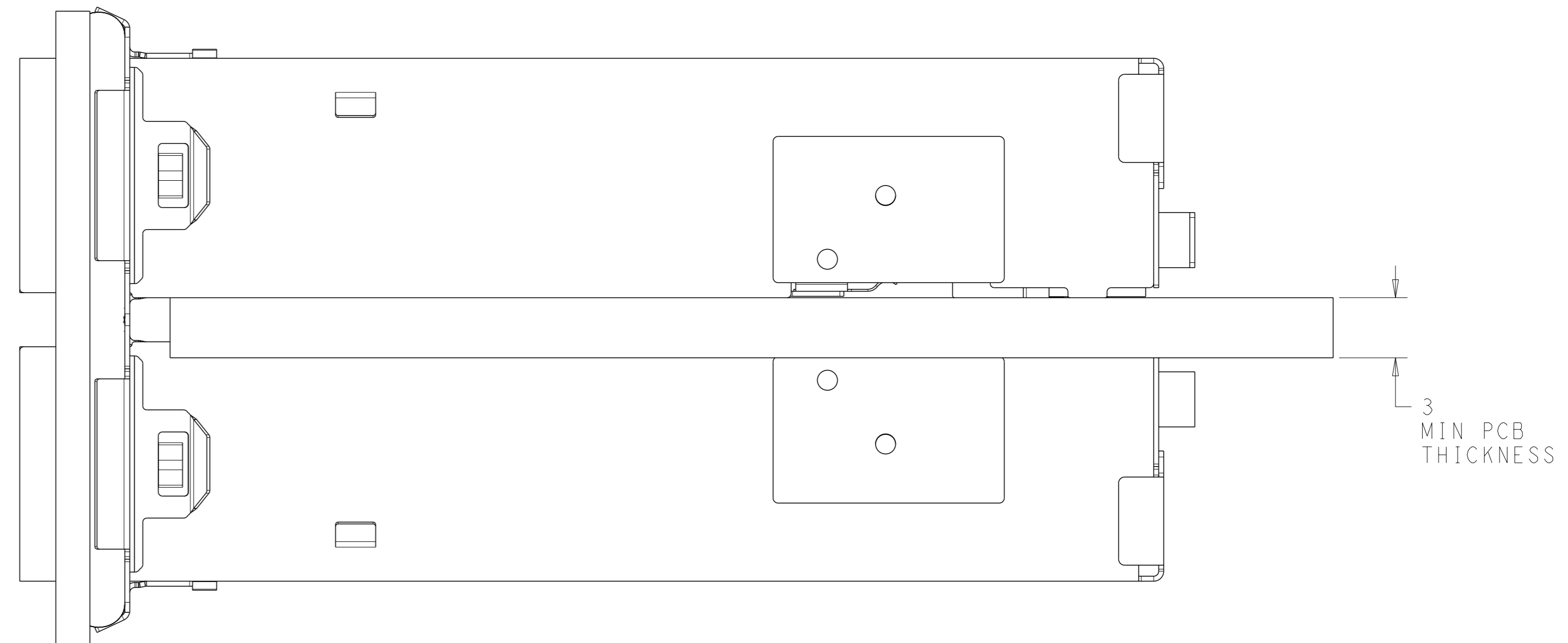
REVISIONS				
#	LY#	DESCRIPTION	DATE	OWN
-	-	SEE SHEET 1	-	-



2297551-2
SINGLE SIDED
PCB AND BEZEL LAYOUT

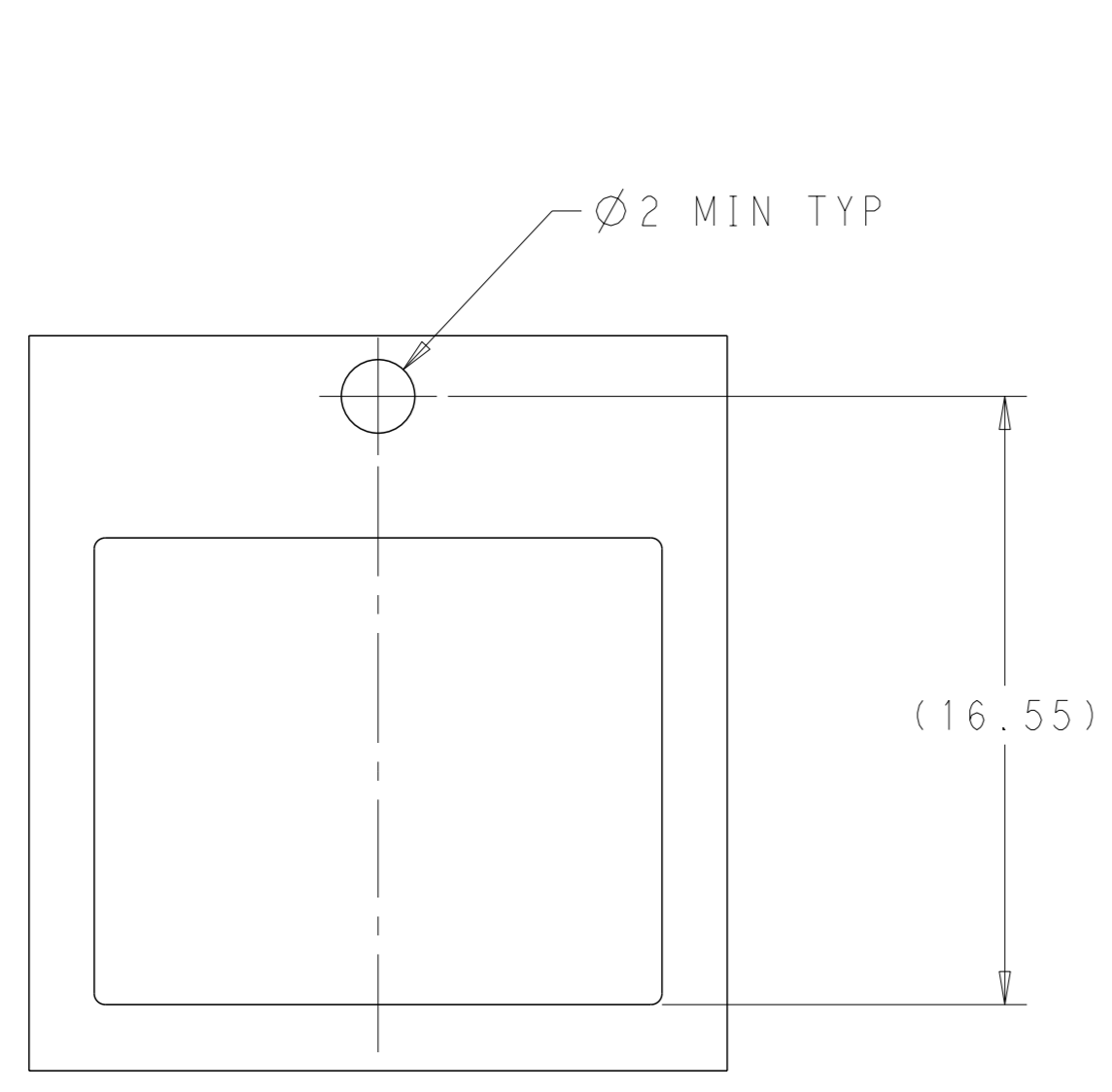


2297551-2
BELLY TO BELLY
SAME AS SINGLE SIDED
EXCEPT WHERE NOTED
PCB AND BEZEL LAYOUT

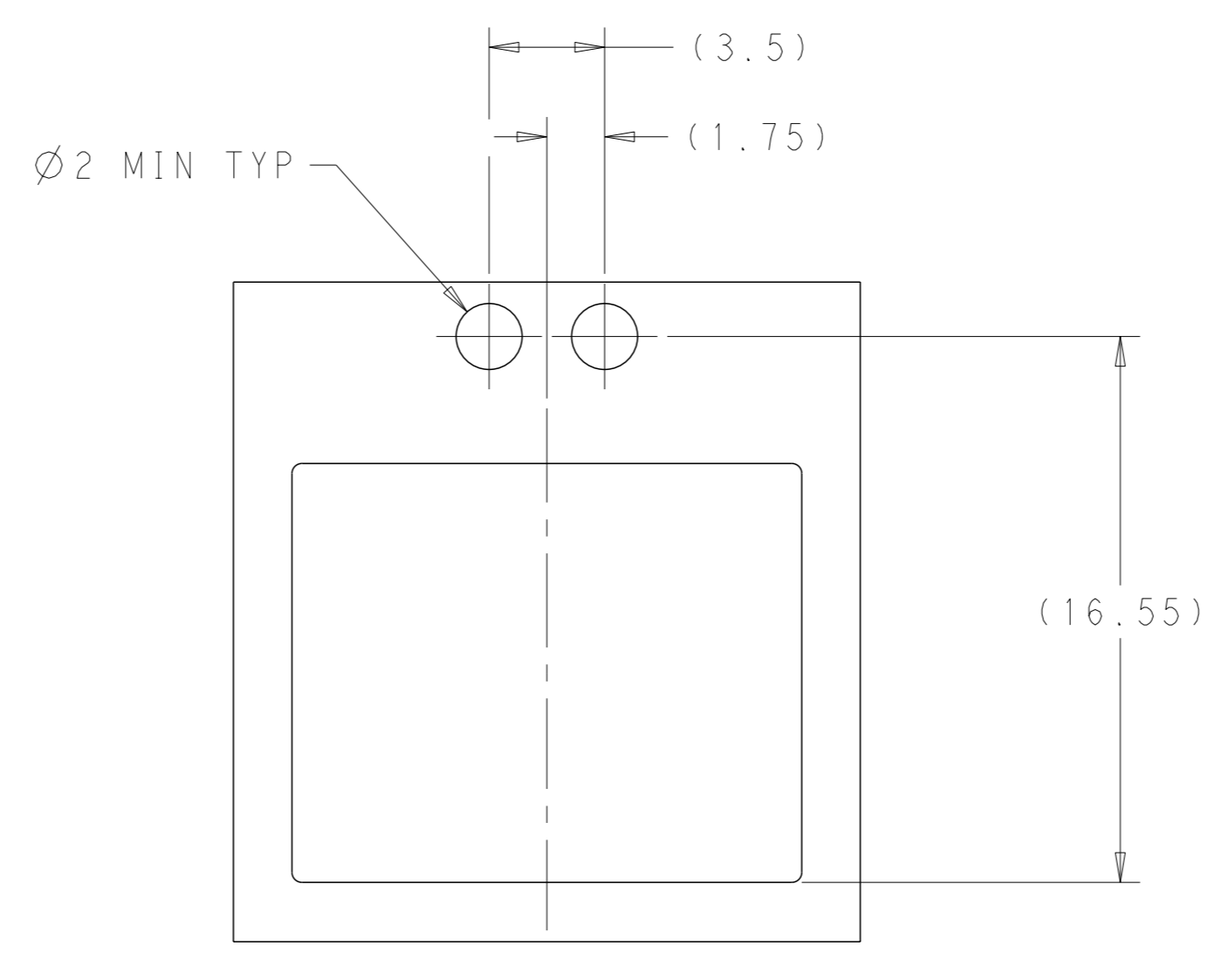


THIS DRAWING IS A CONTROLLED DOCUMENT.		OWN C. VALENTINE 19JAN2016	TE Connectivity	
DIMENSIONS:		CHK E. BRIANT 19JAN2016	NAME CAGE ASSEMBLY, SINGLE PORT, microSFP	
mm	TOLERANCES UNLESS OTHERWISE SPECIFIED:	APVD E. BRIANT 19JAN2016	PRODUCT SPEC 108-32129	RESTRICTED TO
	0 PLC ±	APPLICATION SPEC	114-32151	SIZE A1
	1 PLC ±	WEIGHT	-	CAGE CODE 2297551
	2 PLC ±	Customer Drawing	SCALE 5:1	SHEET 3
	3 PLC ±			OF 6
	4 PLC ±			REV A
	ANGLES FINISH			

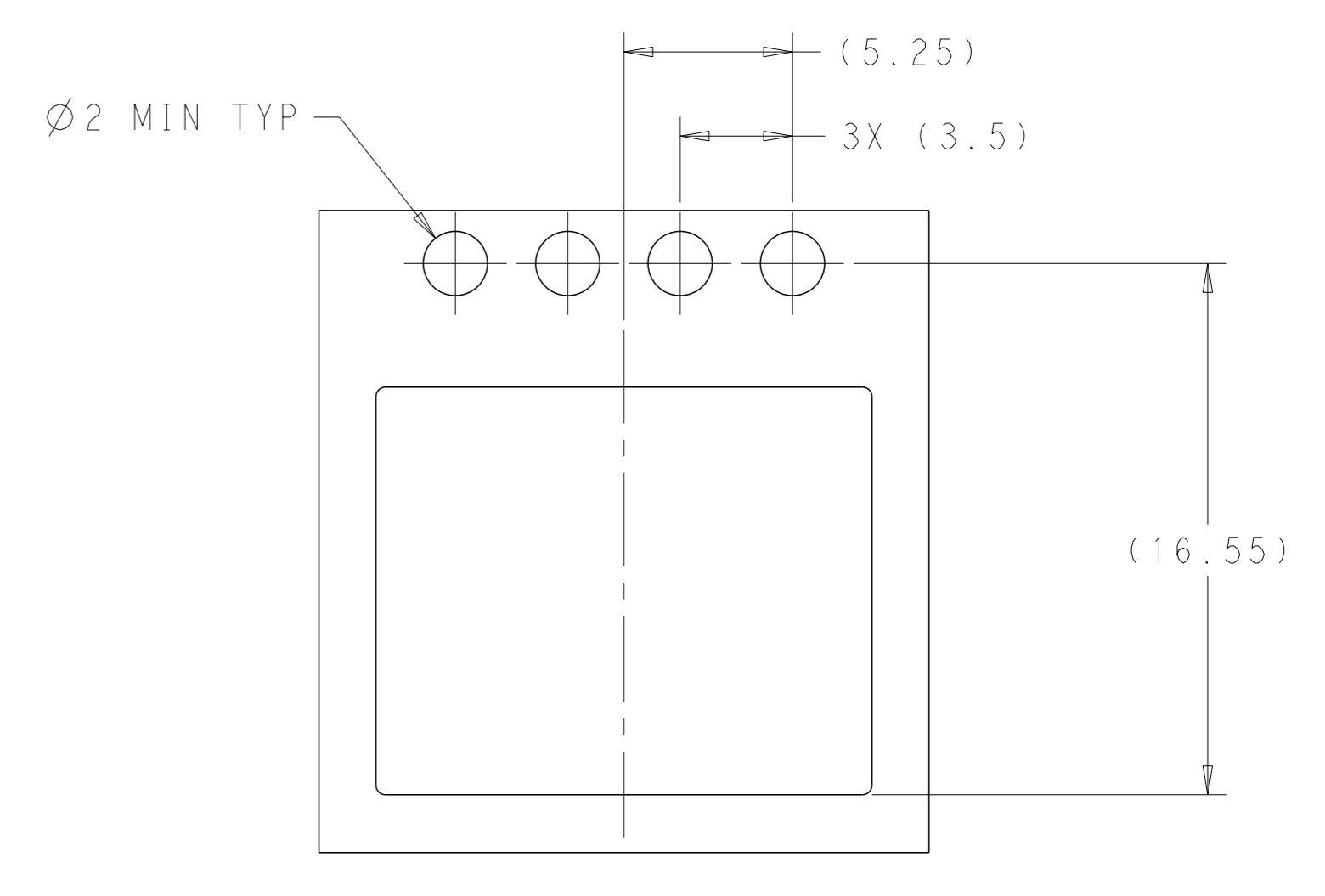
REVISIONS				
#	LY#	DESCRIPTION	DATE	OWN APVD
-	-	SEE SHEET 1	-	-



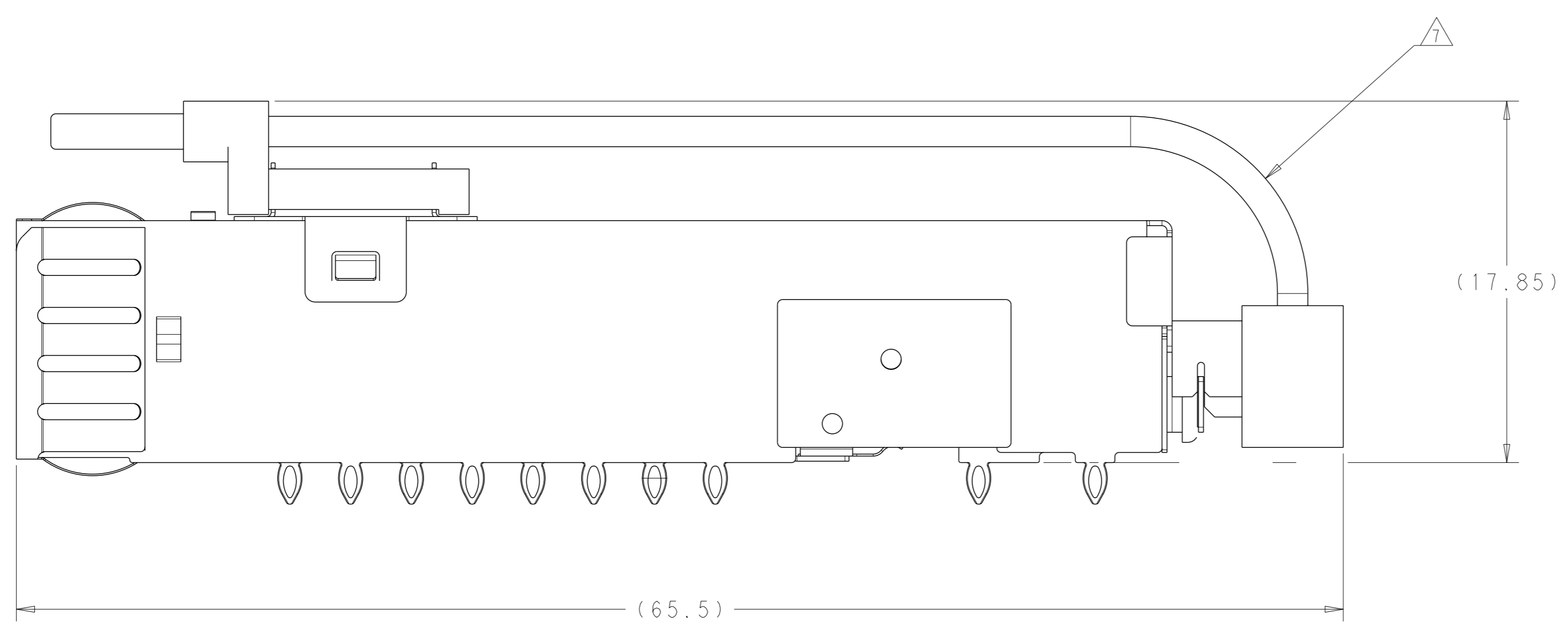
BEZEL LAYOUT FOR SINGLE LIGHT PIPE
SINGLE SIDED



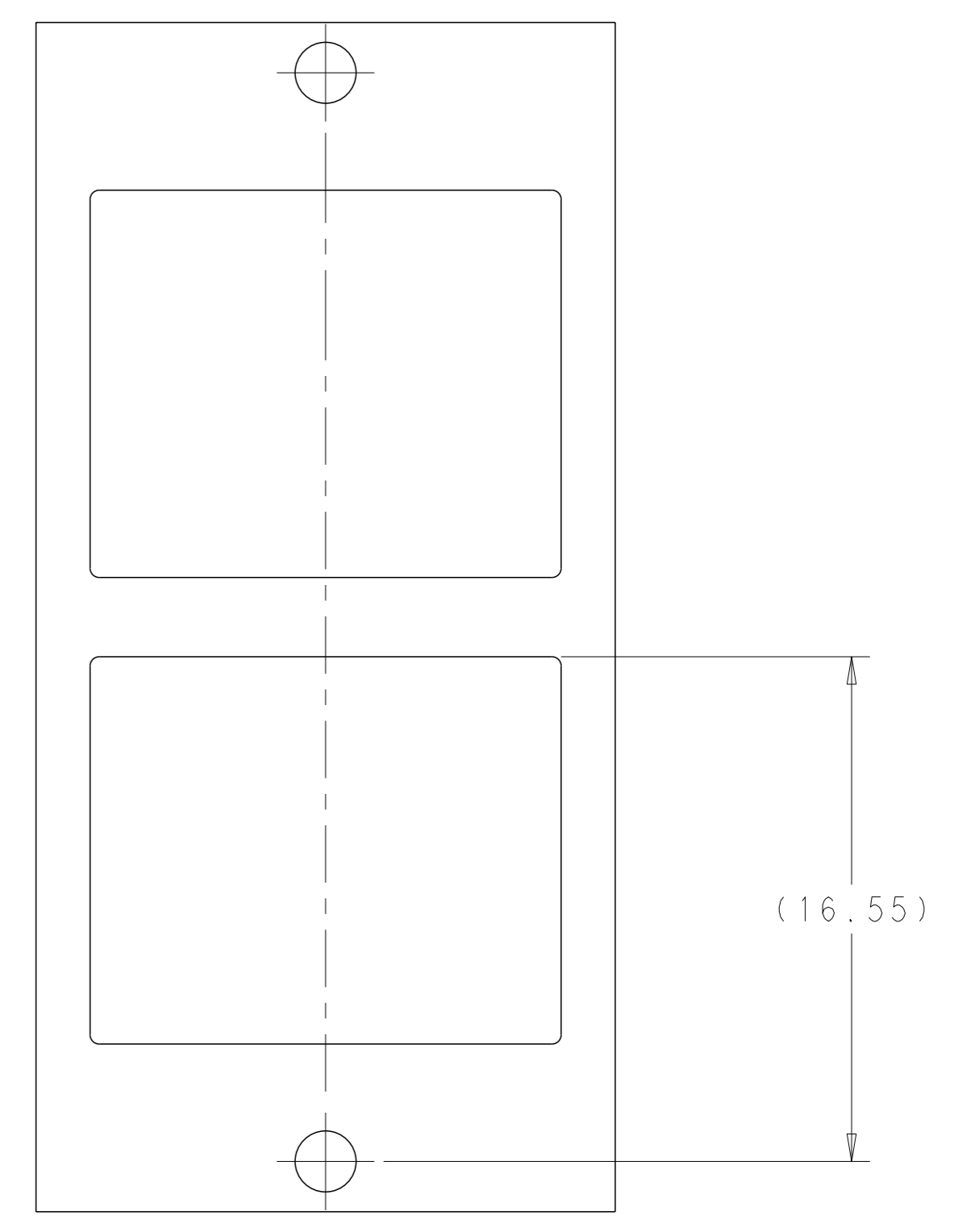
BEZEL LAYOUT FOR DOUBLE LIGHT PIPE
SINGLE SIDED



BEZEL LAYOUT FOR QUAD LIGHT PIPE
SINGLE SIDED



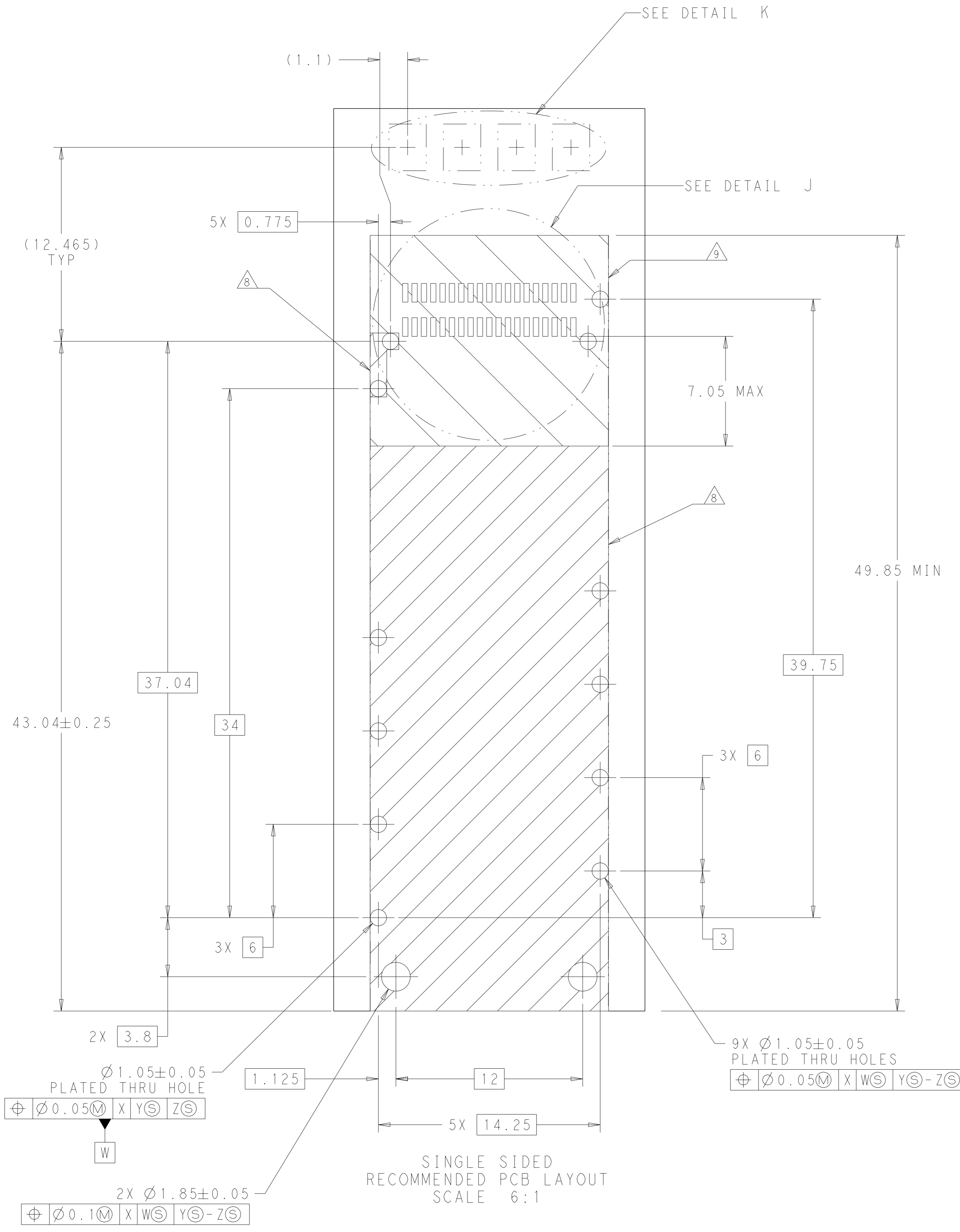
4-2297551-1



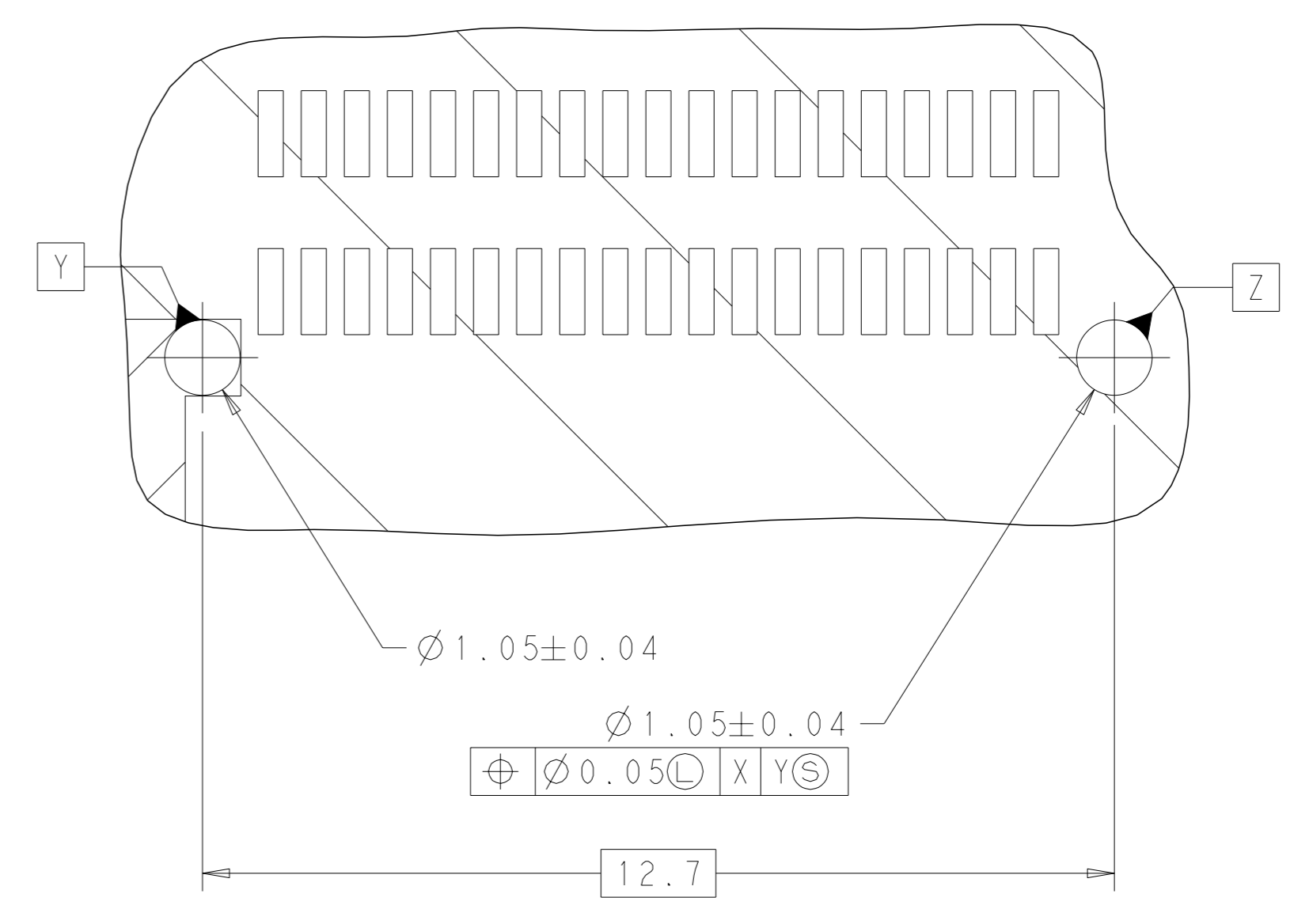
BEZEL LAYOUT FOR LIGHT PIPES
BELLY TO BELLY
SIMILAR TO SINGLE SIDED
EXCEPT WHERE NOTED
SINGLE SIDED

THIS DRAWING IS A CONTROLLED DOCUMENT.		OWN C. VALENTINE 19JAN2016	TE Connectivity	
DIMENSIONS:		CHK E. BRIANT 19JAN2016	NAME CAGE ASSEMBLY, SINGLE PORT, microQSF	
mm	TOLERANCES UNLESS OTHERWISE SPECIFIED:	APVD E. BRIANT 19JAN2016	PRODUCT SPEC 108-32129	
	0 PLC ±	APPLICATION SPEC	SIZE A1	
	1 PLC ±	114-32151	CAGE CODE DRAWING NO -	
	2 PLC ±	WEIGHT	RESTRICTED TO	
	3 PLC ±	Customer Drawing	SCALE 5:1 SHEET 4 OF 6 REV A	
	4 PLC ±			
	ANGLES ±			
	FINISH #1			

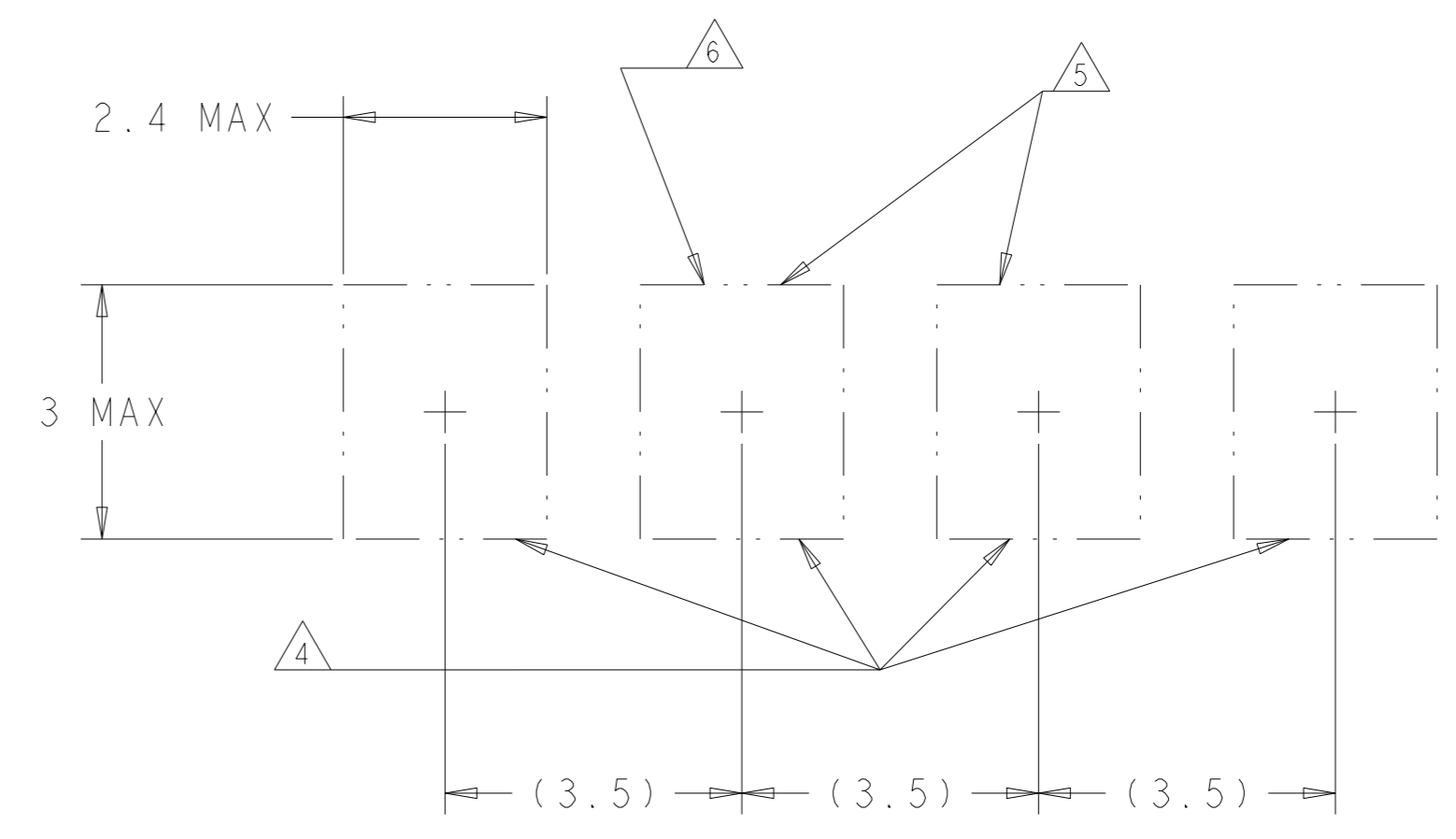
REVISIONS				
#	DATE	DESCRIPTION	OWN	APVD
-	-	SEE SHEET 1	-	-



SINGLE SIDED
RECOMMENDED PCB LAYOUT
SCALE 6:1



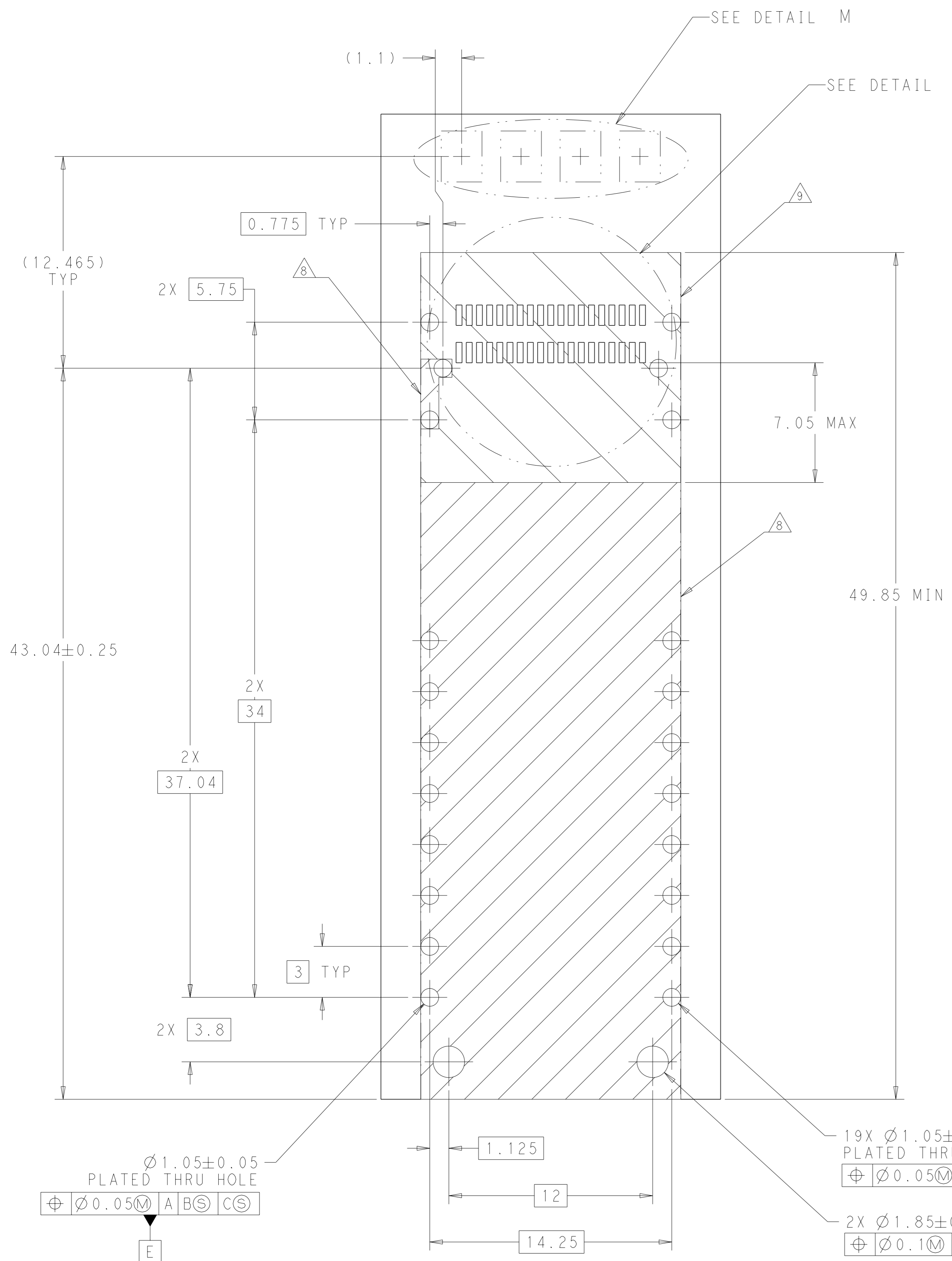
DETAIL J
SCALE 12:1



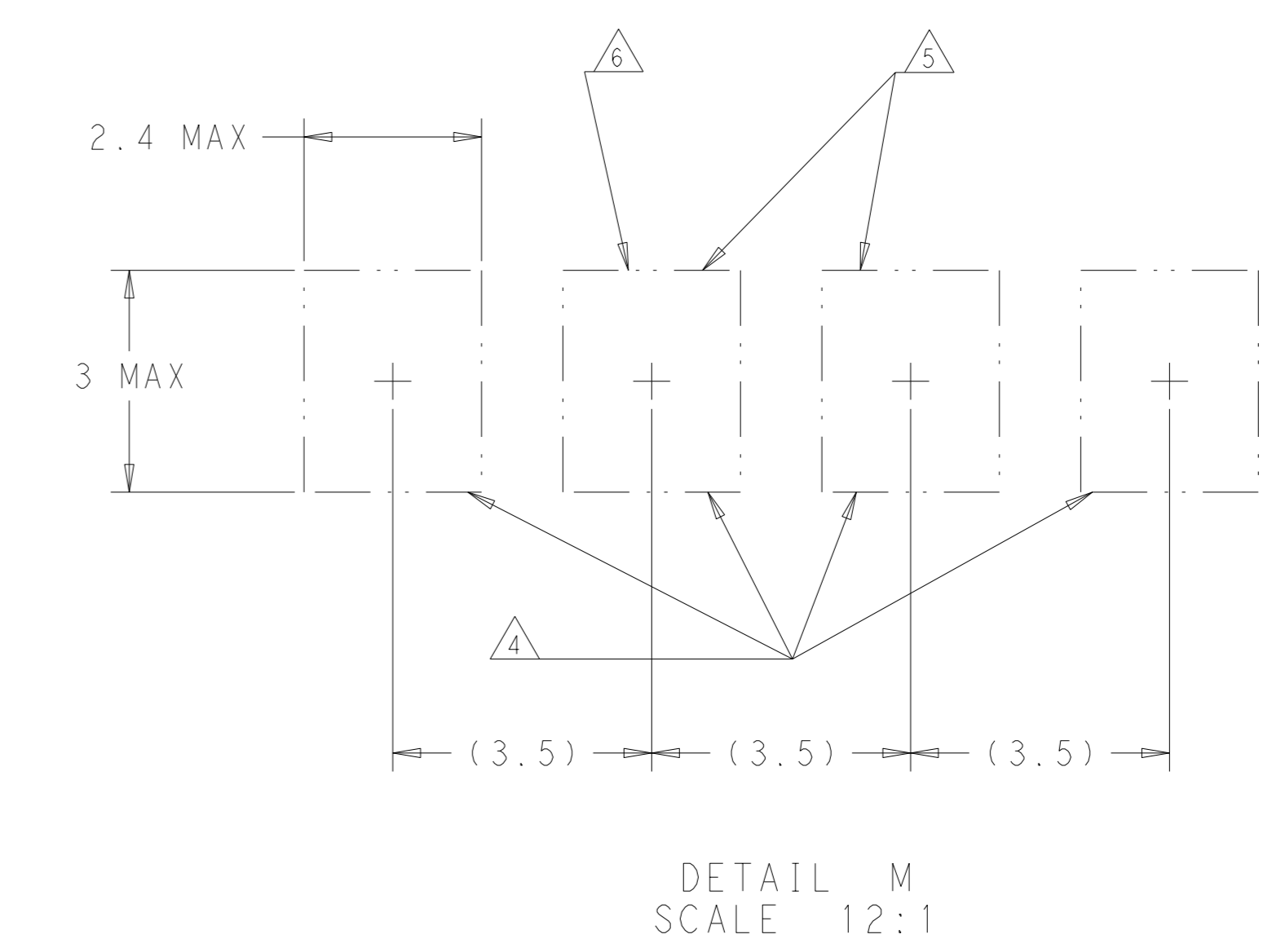
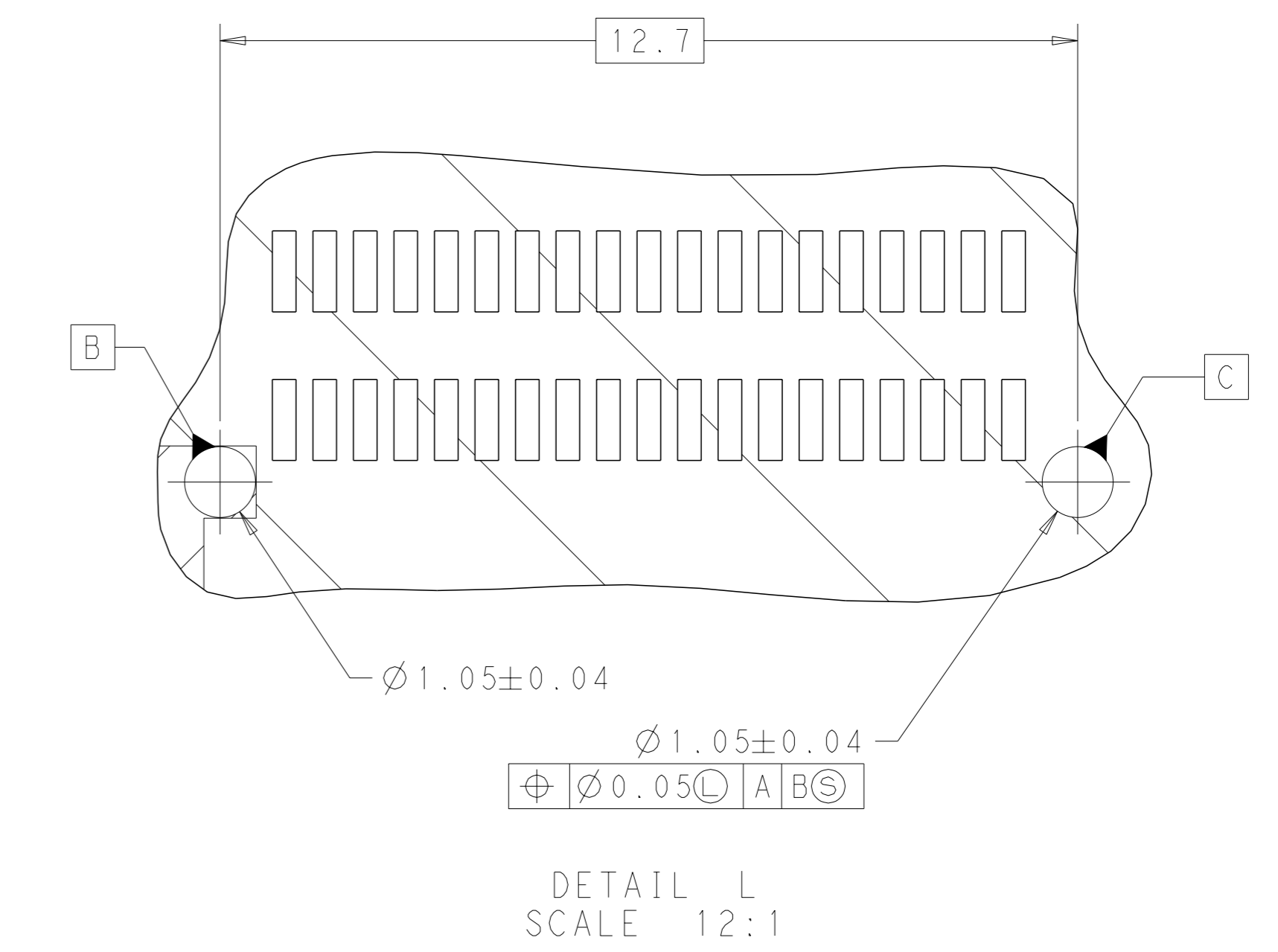
DETAIL K
SCALE 12:1

THIS DRAWING IS A CONTROLLED DOCUMENT.		OWN: C. VALENTINE 19JAN2016	TE Connectivity
DIMENSIONS: mm		CHK: E. BRIANT 19JAN2016	
TOLERANCES UNLESS OTHERWISE SPECIFIED:		APVD: E. BRIANT 19JAN2016	NAME: CAGE ASSEMBLY, SINGLE PORT, microQSFP
0 PLC ±	1 PLC ±	PRODUCT SPEC	108-32129
2 PLC ±	3 PLC ±	APPLICATION SPEC	114-32151
4 PLC ±	ANGLES ±	WEIGHT	Customer Drawing
MATERIAL	FINISH	SCALE: 5:1	SHEET 5 OF 6 REV A

REVISIONS				
#	LY#	DESCRIPTION	DATE	OWN / APVD
-	-	SEE SHEET 1	-	-



BELLY TO BELLY
 RECOMMENDED PCB LAYOUT
 SCALE 6:1



THIS DRAWING IS A CONTROLLED DOCUMENT.		OWN C. VALENTINE 19JAN2016	TE Connectivity	
DIMENSIONS:		CHK E. BRIANT 19JAN2016	NAME CAGE ASSEMBLY, SINGLE PORT, microQSFP	
mm	TOLERANCES UNLESS OTHERWISE SPECIFIED:	APVD E. BRIANT 19JAN2016	PRODUCT SPEC 108-32129	
	0 PLC ±	APPLICATION SPEC 114-32151	RESTRICTED TO	
MATERIAL	1 PLC ±	WEIGHT	SIZE A1	CAGE CODE DRAWING NO C=2297551
	2 PLC ±	Customer Drawing	SCALE 5:1	SHEET 6 of 6
	3 PLC ±			REV A
	4 PLC ±			
	ANGLES			
	FINISH			

X-ON Electronics

Largest Supplier of Electrical and Electronic Components

Click to view similar products for [I/O Connectors](#) category:

Click to view products by [TE Connectivity](#) manufacturer:

Other Similar products are found below :

[571763P](#) [58098-0628](#) [61-168618-12P](#) [D38999/20FJ24PA L/C](#) [D38999/20FJ29SB L/C](#) [D38999/24FG11SN L/C](#) [72.250.1628.2](#) [72.250.2428.2](#)
[74720-0505](#) [747680210](#) [76.350.0729.0](#) [76871-1403](#) [FCN-244F080-G/1](#) [FCN-260A9920](#) [FCN-268D024-G/2F#10X-R10](#) [PCS-E50FA](#) [PCS-](#)
[XE26LKA](#) [PCS-XE26MA+](#) [PCS-XES68MS+](#) [G38A71314B](#) [91-569719-35R](#) [DX40-50P\(55\)](#) [1571250010](#) [157-22500-3](#) [1888020-8](#) [91-](#)
[569786-35H](#) [91-569786-35M](#) [91-644626-35P](#) [172501-4002](#) [172501-6002](#) [FCN-260C008-A/L0](#) [FCN-260C024-AL0](#) [FCN-261Z008](#) [FCN-](#)
[268D008-G/1K](#) [2000314-1](#) [200331-1](#) [2007498-2](#) [PCR-E28LMDAG1+](#) [PCR-E36FC+](#) [PCS-E28FS+](#) [PCS-XE26SLFD+](#) [PCS-XE26SLFDT+](#)
[G38A71214B](#) [HDRA-E68W1LFDTC-SL+](#) [HDR-E14MSG1+](#) [R88A-CNK81S](#) [CRT1-ATT02](#) [54182-0605](#) [U90B2054081210](#)
[UE86K842720321](#)