

THIS IS ISSUED IN STRICT CONFIDENCE THAT IT IS NOT USED AS A BASIS FOR MANUFACTURE OR SALE AND THAT IT IS NOT COPIED, REPRINTED OR DISCLOSED TO A THIRD PARTY EITHER WHOLLY OR IN PART WITHOUT THE PRIOR WRITTEN CONSENT OF CAL TEST ELECTRONICS, INC.

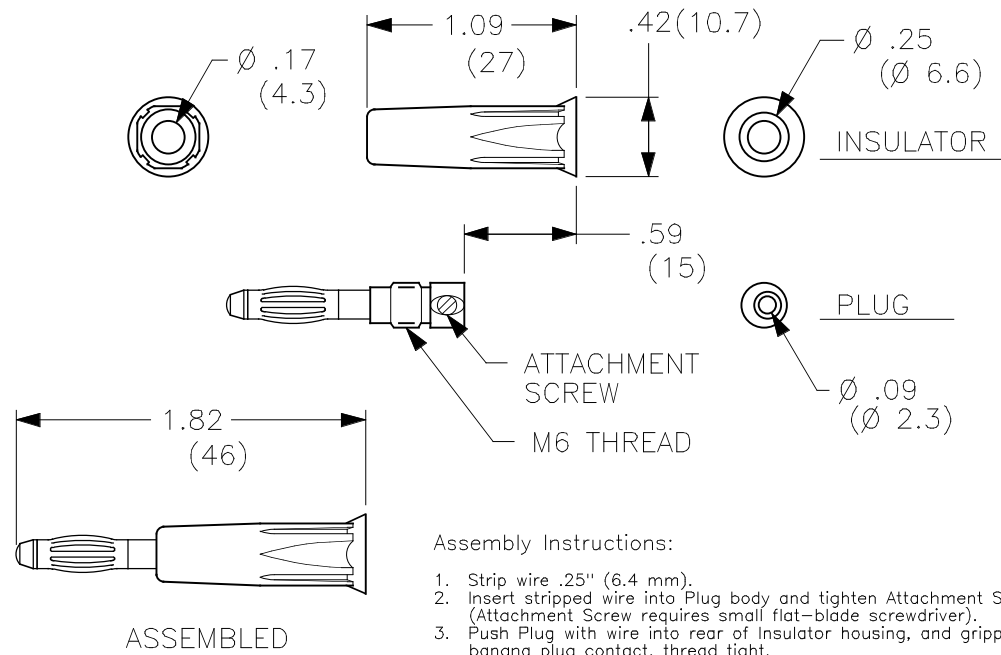
REVISIONS			
REV.	DESCRIPTIONS	DATE	APPROVED
—	CLASS A RELEASED	7/11/99	

- DO-IT-YOURSELF (DIY) 4 mm IN-LINE PLUG, SCREW ATTACHMENT.
- SPECIFICATIONS:
INSULATOR BODY: POLYAMIDE (NYLON)
PLUG BODY: BRASS, NICKEL PLATED
SPRING CONTACT: BeCu, NICKEL PLATED
- RATING:
VOLTAGE: 1,200 V AC/DC
CURRENT: 36 A MAX.
TEMPERATURE: -20° C TO +80°C.
- MAXIMUM WIRE SIZES:
CONDUCTOR: \varnothing .090 (12 AWG)
STRIP LENGTH: .25 (6.4)

PART NUMBER

CT2011-#

- COLOR:
- 0 - BLACK
 - 2 - RED
 - 4 - YELLOW
 - 5 - GREEN
 - 6 - BLUE
 - 9 - WHITE



Assembly Instructions:

- Strip wire .25" (6.4 mm).
- Insert stripped wire into Plug body and tighten Attachment Screw. (Attachment Screw requires small flat-blade screwdriver).
- Push Plug with wire into rear of Insulator housing, and gripping banana plug contact, thread tight.

THIRD ANGLE PROJECTION		UNLESS OTHERWISE SPECIFIED DIMENSIONS ARE IN INCHES TOLERANCES ARE: FRACTIONS DECIMALS $\pm 1/32$.XX $\pm .02$.XXX $\pm .005$ DO NOT SCALE DRAWING	CONTRACT NO.		Cal Test Electronics 22820 Savi Ranch Parkway Yorba Linda, CA 92887-4610	
			APPROVALS	DATE		
MATERIAL		DRAWN	WDH	7/11/99	DIY 4 mm PLUG, SCREW	
FINISH		CHECKED				
NEXT ASSY		ENGR.			SIZE	A
USED ON		DESIGN ACTIVITY			CAGE CODE	43F45
APPLICATION					DWG. NO.	P201100
					REV.	—
					SCALE	1:1
					SHEET	1 OF 1

X-ON Electronics

Largest Supplier of Electrical and Electronic Components

Click to view similar products for [Test Plugs & Test Jacks](#) category:

Click to view products by [Cal Test](#) manufacturer:

Other Similar products are found below :

[579-0400](#) [66000-7](#) [R644543000](#) [R921923000](#) [R921930000](#) [R941344000](#) [R948161000](#) [R999351000](#) [1408-4](#) [1533-1](#) [174-R825B-EX](#)
[NYS508-BU](#) [1680](#) [174-R819B-EX](#) [R644543003](#) [R644543004](#) [R644543020](#) [R644543021](#) [R921926000](#) [R921931000](#) [R921932000](#)
[R921934000](#) [R929991000](#) [R941460000](#) [R941461000](#) [R941463600](#) [R941920600](#) [R948160000](#) [31B-2-RED](#) [032-0016-023](#) [105-1106-001](#)
[108-1000-106](#) [108-2301-621](#) [66001-9](#) [7013](#) [1395080-1](#) [930166100](#) [NYS508-W](#) [NYS508-Y](#) [NYS511-R](#) [BP30-2BR10-B PKG](#) [BP30-10-WT](#)
[BP30-2BR-B PKG](#) [BP30Y-1 PKG](#) [R941049000](#) [R941340000](#) [R948141029](#) [R921922000](#) [R644543022](#) [R948142000](#)