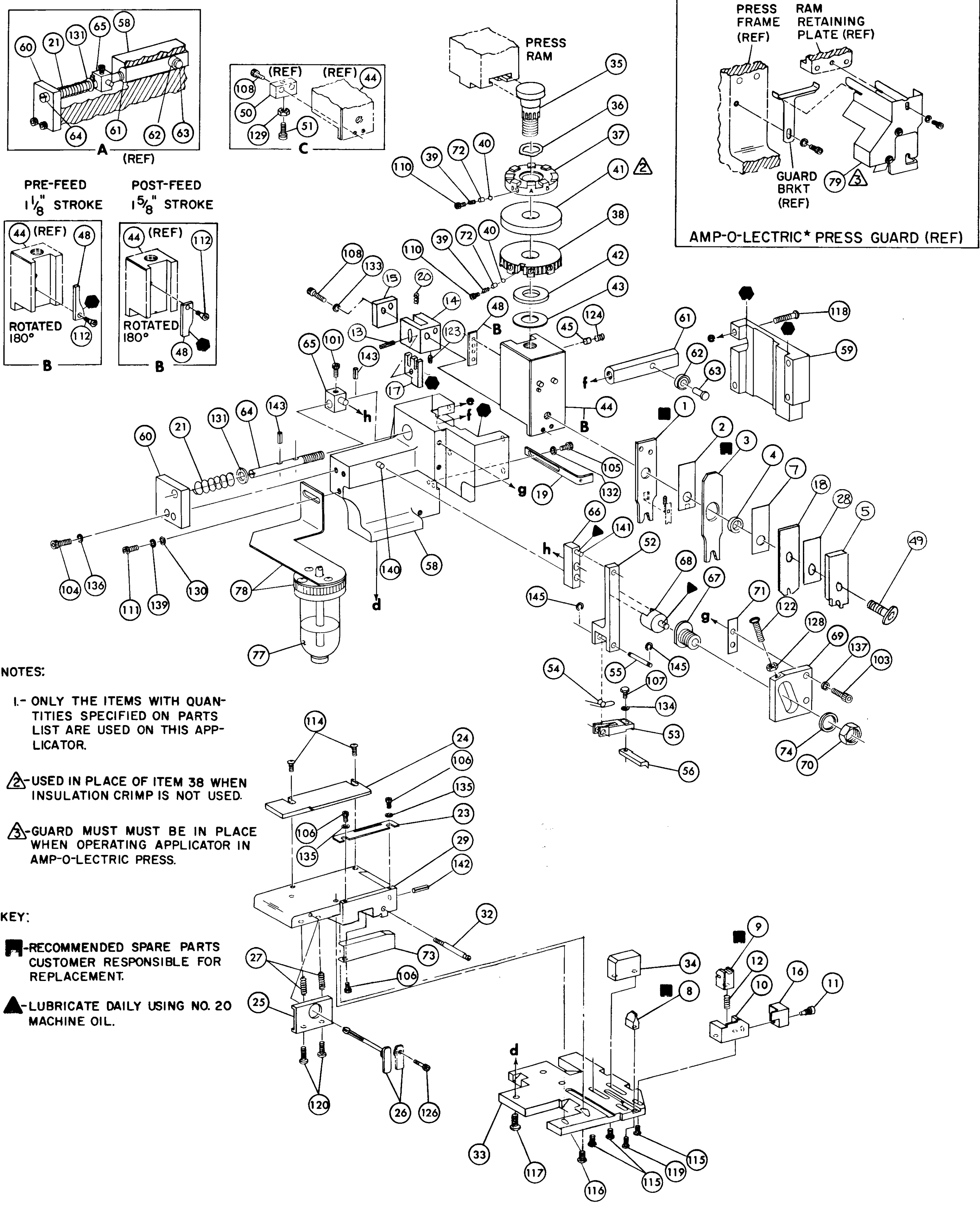


THIS INFORMATION IS CONFIDENTIAL AND IS DISCLOSED TO YOU ON CONDITION THAT NO FURTHER DISCLOSURE IS MADE BY YOU TO OTHER THAN AMP PERSONNEL WITHOUT WRITTEN AUTHORIZATION FROM AMP INCORPORATED, HARRISBURG, PA.



**NOTES:**

1- ONLY THE ITEMS WITH QUANTITIES SPECIFIED ON PARTS LIST ARE USED ON THIS APPLICATOR.

▲ USED IN PLACE OF ITEM 38 WHEN INSULATION CRIMP IS NOT USED.

▲ GUARD MUST BE IN PLACE WHEN OPERATING APPLICATOR IN AMP-O-LECTRIC PRESS.

**KEY:**

■ - RECOMMENDED SPARE PARTS CUSTOMER RESPONSIBLE FOR REPLACEMENT.

▲ - LUBRICATE DAILY USING NO. 20 MACHINE OIL.

\* Trademark of AMP Incorporated

QTY	PART NO	DESCRIPTION	ITEM NO	QTY	PART NO	DESCRIPTION	ITEM NO
2	21045-3	RING, RETAINING 'C' (.187 DIA) FEED FINGER PIN	145	1	454220-1	CAP, HOUSING	59
2	5-21028-1	PIN, SLOT SPR (.125 DIA X .50) ADJ ROD	144	1	454485-1	HOUSING	58
1	4-21028-0	PIN, SLOT SPR (.093 DIA X .75) STR G PLATE	143				57
1	1-21030-1	PIN, DOWEL (.187 DIA X .50) LEVER	142	1	455652-1	PAWL, FEED	56
1	1-21030-6	PIN, DOWEL (.187 DIA X 1.25) HOUSING	141	1	240624-1	PIN, FEED FINGER	55
1	21024-5	WASHER, LOCK (NO 10) LUB ASSY	140	1	691499-1	SPRING, FEED FINGER	54
2	21024-5	WASHER, LOCK (NO 10) STRIP GUIDE ADJ BLOCK	139	1	455851-1	FINGER, FEED	53
2	21024-5	WASHER, LOCK (NO 10) ADJ PLATE	138	1	455679-1	LEVER, TERMINAL FEED ARM	52
2	21024-5	WASHER, LOCK (NO 10) FEED GUIDE ROD	137			BUMPER, HOLD DOWN	51
3	21057-2	WASHER, LOCK (NO 4) FRONT STRIP GUIDE	136			SPACER, TONCKER	50
1	21024-4	WASHER, LOCK (NO 8) FEED FINGER	135	1	7-21002-9	BOLT, CRIMPER	49
2	21024-4	WASHER, LOCK (NO 8) DEPRESSOR	134	1	690602-5	CAM PRE FEED 1 1/8 STROKE	48
1	21024-4	WASHER, LOCK (NO 8) STRIPPER	133				47
1	21899-2	WASHER, FLAT (5/16 DIA) SCREW ADJ	132		459456-1	APPLICATOR, BASIC (SUB ASSY)	46
1	21899-2	WASHER, FLAT (NO 10) LUB ASSY	131	1	690191-1	PLUG, NYLON	45
1	21068-5	NUT, HEX MACH (6-32) HOLD DOWN	130	1	455673-1	RAM	44
1	21068-5	NUT, HEX MACH (6-32) FEED ADJ	129	1	690125-1	WASHER, LAMINATED	43
1	21068-5	NUT, HEX MACH (6-32) FEED ADJ	128	1	690124-4	WASHER, RAM	42
1	22353-8	SCR, SHLD. (.187 DIA X .250 LG) DRAG LEVER	127			DISC, SPACER	41
1	21009-2	SCR, SKT SET (1/4-20 X .25) (LOC-WEL) RAM	126	2	23241-6	BALL, STEEL	40
1	2-21008-1	SCR, SKT SET (4-40 X .25) (LOC-WEL) HOLD DOWN	125	2	690170-1	SPRING, COMPRESSION	39
1	3-21064-2	SCR, RD HD MACH (6-32 X 1.50) FEED ADJ	124	1	690142-1	DISC, INSULATION	38
2	2-21002-9	SCR, BUT HD SKT CAP (10-32 X .75) DRAG	123	1	1-690141-0	DISC, WIRE	37
1	22733-8	SCR, BUT HD SKT CAP (8-32 X .38) (LOC-WEL) ANVIL	122	1	22480-5	WASHER, SPRING	36
4	2-21002-9	SCR, BUT HD SKT CAP (10-32 X .75) CAP	121	1	690212-1	POST, RAM	35
3	2-22733-8	SCR, BUT HD SKT CAP (1/4-20 X .62) HOUSING	120			SUPPORT, TERMINAL	34
2	2-21002-7	SCR, BUT HD SKT CAP (10-32 X .50) SG ADJ BLOCK	119	1	458832-1	PLATE, BASE	33
2	2-21002-2	SCR, BUT HD SKT CAP (8-32 X .50) SHEAR	118	1	690432-3	SCREW, ADJUSTMENT	32
3	2-21002-2	SCR, BUT HD SKT CAP (8-32 X .50) R STRIP GUIDE	117				31
1	2-21003-0	SCR, FLAT HD SKT CAP (6-32 X .50) CAM	116			PLATE, STRIP GUIDE	29
1	3-21000-4	SCR, SKT HD CAP (10-32 X .38) LUBRICATOR ASSY	115	1	461532-1	SPACER, FRONT SHEAR DEPRESSOR	28
2	23030-1	SCR, SKT HD CAP (6-32 X .25) (LOC-WEL) CP DISC	114	2	455888-7	SPRING, DRAG	27
1	3-21000-0	SCR, SKT HD CAP (8-32 X .38) DEPRESSOR	113	1	1-22284-0	LEVER, DRAG RELEASE	26
1	2-22603-0	SCR, HEX HD MACH (8-32 X .31) FEED FINGER	112	1	690546-1	DRAG, STOCK	25
3	1-21000-3	SCR, SKT HD CAP (4-40 X .25) F STRIP GUIDE	111	1	240792-1	GUIDE STRIP (REAR)	24
1	2-21000-7	SCR, SKT HD CAP (8-32 X .50) STRIPPER	110	1	458876-1	GUIDE STRIP (FRONT)	23
2	3-21000-7	SCR, SKT HD CAP (10-32 X .75) FEED ROD GUIDE	109	1	458875-1		22
2	3-21000-6	SCR, SKT HD CAP (10-32 X .62) FEED ADJ BLOCK	108			SPRING, FEED RETURN	21
1	3-21000-4	SCR, SKT HD CAP (10-32 X .38) SG ADJ BLOCK	107	1	4-22284-9	SPRING, HOLD DOWN	20
1	3-21000-4	SCR, SKT HD CAP (10-32 X .38) PIVOT BLOCK	106	2	3-22278-0	STRIPPER	19
REF	455749-1	GUARD WINDOW	105	1	691353-1	HOLDER, TERMINAL (FRONT)	18
1	1-465184-0	LUBRICATOR ASSY OIL, LUBRICATING	104	1	461519-1	HOLD DOWN TERMINAL (REAR)	17
			103	1	455054-1	GUARD, CHIP (FRONT)	16
			79	1	691667-1	PLATE, RETAINING	15
			78	1	455053-1	HOLDER, HOLD DOWN	14
			77	1	4-21028-0	PIN HOLD DOWN (.094 X .75)	13
			76	1	5-22280-0	SPRING, SHEAR	12
			75	1	690461-1	STOP, SHEAR	11
			74	1	690459-1	HOLDER, SHEAR (FRONT)	10
			73	1	690491-3	SHEAR, FLOAT (FRONT)	9
			72	1	690493-6	ANVIL	8
			71	1	455888-3	SPACER, HOLDER	7
			70	1	1-455889-0	DEPRESSOR, SHEAR (REAR)	6
			69	1	238011-8	DEPRESSOR, SHEAR (FRONT)	5
			68	1	4-683454-2	SPACER, TUBULAR, INS CRIMPER	4
			67	1	1-455888-1	CRIMPER, INSULATION	3
			66	1	456410-1	SPACER, CRIMPER	2
			65			CRIMPER, WIRE	1

CRIMPING DATA				APPLICATOR WILL APPLY	
PAD LTR	CRIMP HEIGHT	WIRE SIZE	WIRE LENGTH	60794-2	
A	.103	14			
B	.095	16			
C	.092	18			
D	NOT USED				
CRIMP SIZE	TYPE	FEED	APPL INST		
WIRE .130	F	406	A18040		
INSUL .210	0				
WIRE RANGE 18-14	INSULATION RANGE .090-130	PRESS NO 365435-5			
REMARKS AMP-O-LECTRIC PRE FEED					
APPL USED ON MACHINE PART NO		MACH SERIAL NO		DISTRIBUTION	
CUSTOMER NAME		APPL SERIAL NO		ORIGINAL	
ADDRESS		PURCHASE ORDER		CUSTOMER COPY	
CITY		ENG APP		FIELD ENG COPY	
SET UP PAGE 10-1 458637-1 37-B DR 5-10-70 APP R. M. HARRIS CHK 1/21/70 REL NAME MINIATURE QUICK CHANGE APPLICATOR SIDE FEED (FASTON TAB MOD III)					

DIST 66

AMP 2983-3 (8-73)

## X-ON Electronics

Largest Supplier of Electrical and Electronic Components

*Click to view similar products for [Hand Tools](#) category:*

*Click to view products by [TE Connectivity](#) manufacturer:*

Other Similar products are found below :

[568681-1](#) [576786-2](#) [58061-1](#) [58176-1](#) [58177-1](#) [58177-2](#) [58284-1](#) [59085](#) [0031](#) [59737-5](#) [015-0339-000](#) [015-8755-001](#) [600-146-06](#) [M15570-25](#) [62200-5709](#) [6-304052-1](#) [63443-1002](#) [63443-3513](#) [63443-4025](#) [63443-7114](#) [6-354778-5](#) [6-354779-2](#) [63600-2995](#) [63810-0105](#) [M8196914-08](#) [662508-1](#) [662908-1](#) [679994-1](#) [679994-2](#) [68764-0001](#) [69001-0105](#) [69002-5525](#) [690124-7](#) [690191-1](#) [690191-4](#) [690518-2](#) [690696-1](#) [691409-4](#) [691667-1](#) [692006-2](#) [692655-7](#) [692776-1](#) [692776-4](#) [693077-3](#) [693077-4](#) [693597-1](#) [D20418-137](#) [D20419-189](#) [ET-LY10](#) [734041-1](#)