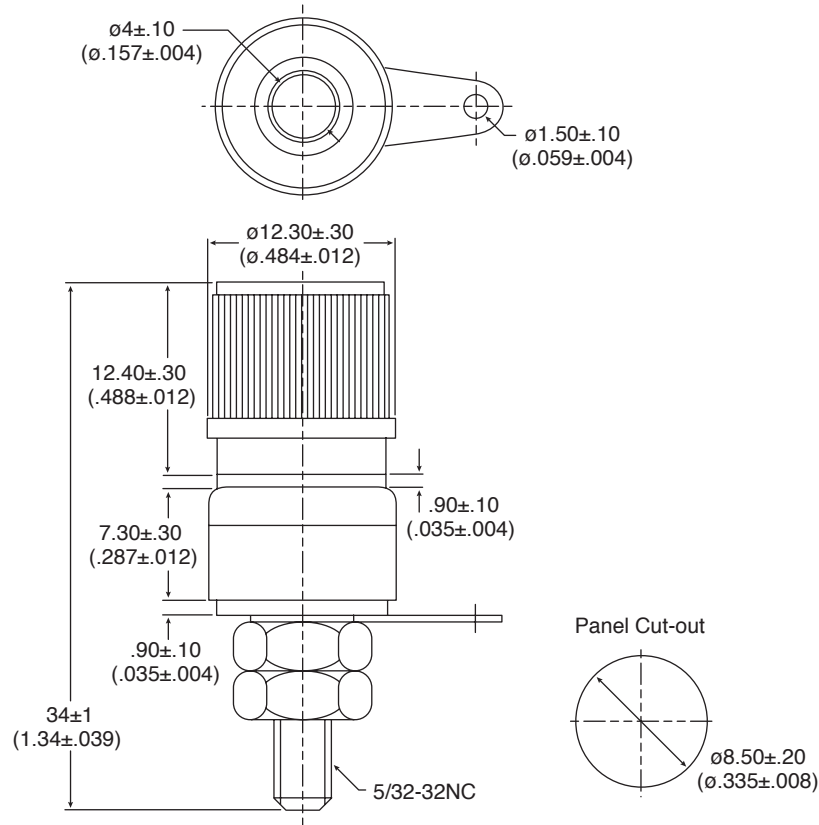


# Binding Posts



164-R101B-EX, 164-R101R-EX

Binding Posts



Dimensions: mm (in.)

## SPECIFICATIONS

<b>Current Rating:</b>	10A/125VAC
<b>Insulator Resistance:</b>	500VDC 100M $\Omega$ min.
<b>Operating Temperature:</b>	-10°C to +80°C
<b>Voltage Breakdown:</b>	1000VAC 1 minute
RoHS Compliant by Exemption	

Date Last Revised: 3-6-07

Available from Mouser Electronics  
1-800-346-6873 / [www.mouser.com](http://www.mouser.com)

KC-301100

Specifications are subject to change without notice. No liability or warranty implied by this information. Environmental compliance based on producer documentation.

164-R101B-EX, 164-R101R-EX

# X-ON Electronics

Authorized Distributor

*Click to view similar products for [Test Plugs & Test Jacks](#) category:*

[R941342000](#) [125041/W](#) [BU-6162-M-60-2](#) [2798](#) [4092](#) [1050762-1](#) [111-0106-001](#) [23.3160-21,+ -22,+ -23,+ -24,+ -25](#) [F70321S078L180](#) [7015](#)