

THIS DRAWING IS UNPUBLISHED.

RELEASED FOR PUBLICATION

20

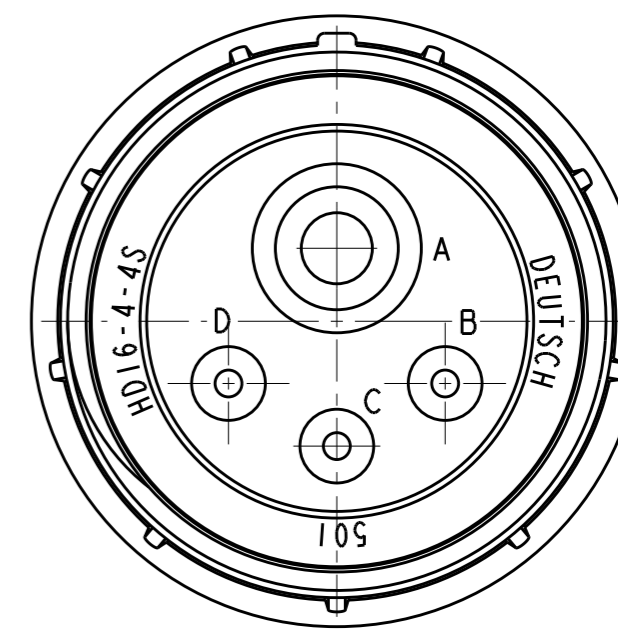
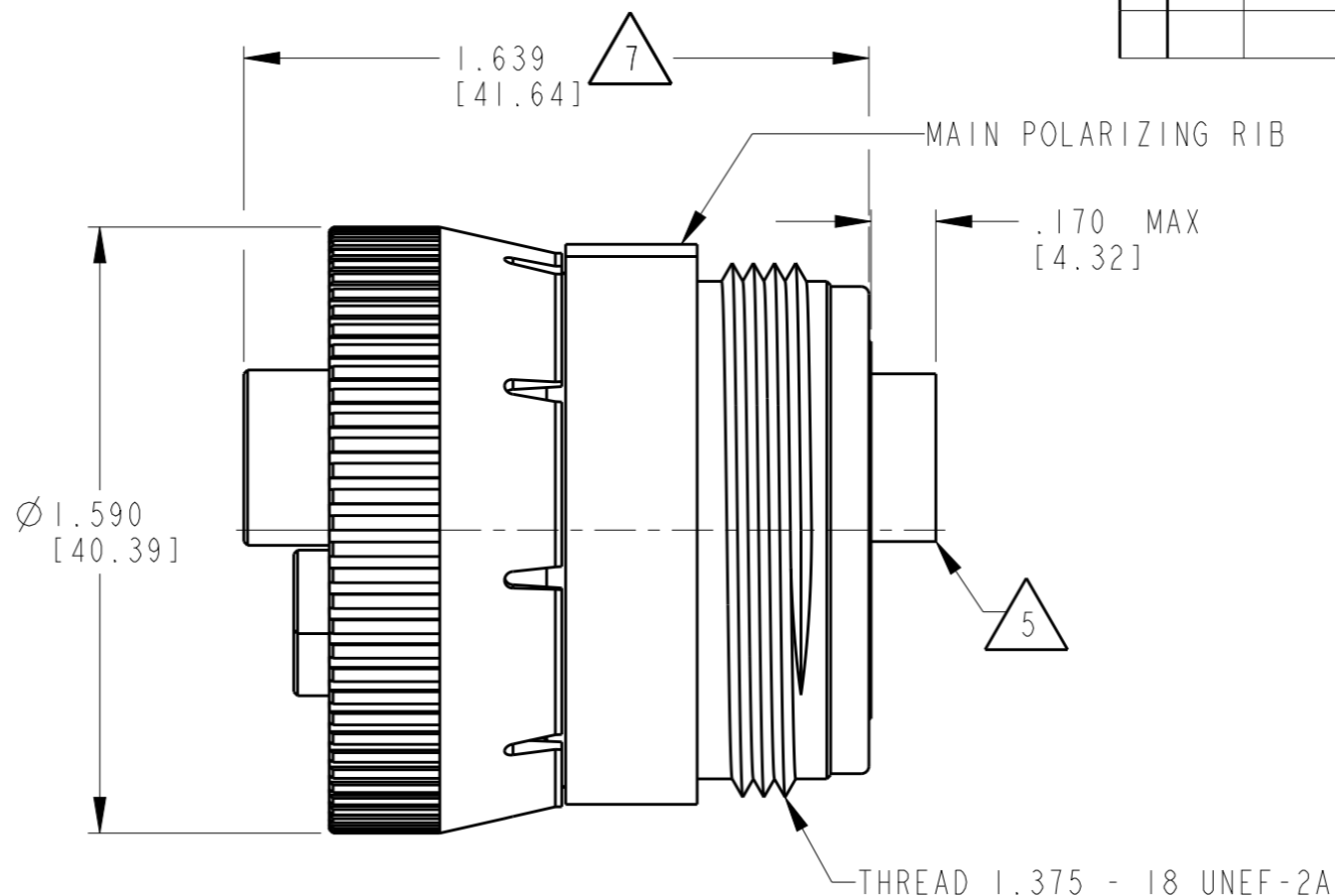
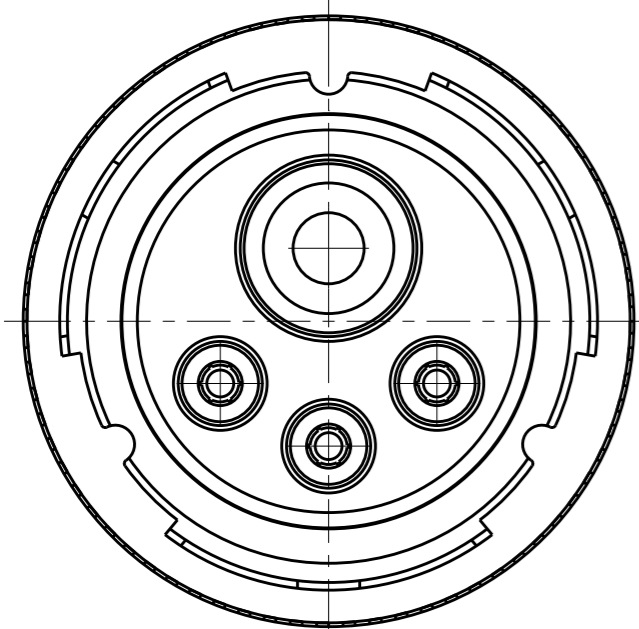
LOC DIST

REVISIONS

© COPYRIGHT 20

ALL RIGHTS RESERVED.

P	LTR	DESCRIPTION	DATE	DWN	APVD
	D	REVISED AND REDRAWN PER EO A13795	5-4-92	JN	JA
	E	REVISED PER EO P21366	6-4-12	IG	RDR
	E1	REVISED PER ECO-13-010850	6-12-13	JA	IG



6. MATERIAL: SHELL: PLASTIC; SEAL: RUBBER

5 RUBBER EXTENSION ON SIZE 4 CAVITY ONLY.

4. FOR "PERFORMANCE AND APPLICATION CHARACTERISTICS OF SOLID/STAMPED AND FORMED CONTACTS AND WIRES," SEE ENVELOPE DRAWING 0425-015-0000. THIS PLUG USES SOCKET CONTACTS ONLY.

3. THIS CONNECTOR SERIES WILL ACCOMMODATE THE FOLLOWING WIRE INSULATION DIAMETERS:

CONTACT SIZE	MINIMUM O.D.	MAXIMUM O.D.	WIRE GAGE RANGE
16	.100 [2.54]	.150 [3.81]	14 AND 16
4	.280 [7.11]	.292 [7.42]	6

2. CONSULT FACTORY FOR ELECTRICAL AND MATERIAL SPECIFICATIONS.

1. PERTINENT INFORMATION: POWER CONTACTS SOCKETS: 0462-209-16141 AND 0462-203-04141

8. THIS PLUG MATES WITH HD10-4-4P-\*\*\*\* RECEPTACLES (\* = SEAL TYPE, \*\*\*\* = ALL MODIFICATIONS).

7 OVERALL DIMENSION DOES NOT INCLUDE RUBBER GROMMET.

THIS DRAWING IS A CONTROLLED DOCUMENT.

DWN 12 JUN 2013  
 JAIME C. APOSTOL  
 CHK 6-12-13  
 ILINA GRANTCHAROVA  
 APVD 6-12-13  
 ILINA GRANTCHAROVA



DIMENSIONS: INCHES [mm]	TOLERANCES UNLESS OTHERWISE SPECIFIED:
	0 PLC ±
	1 PLC ±
	2 PLC ±
	3 PLC ±.025 [.64]
	4 PLC ±
ANGLES	±0°30'0"

PRODUCT SPEC  
 APPLICATION SPEC  
 WEIGHT 38.65g

NAME  
 PLUG CONNECTOR I SIZE 4  
 3 SIZE 16 CONTACTS HD10 SERIES  
 PLUG CONNECTOR  
 SIZE A3 CAGE CODE 4AFU8 DRAWING NO. HD16-4-4S RESTRICTED TO

MATERIAL  
 FINISH

CUSTOMER DRAWING

SCALE 2:1 SHEET 1 OF 1 REV E1

## X-ON Electronics

Largest Supplier of Electrical and Electronic Components

*Click to view similar products for [Automotive Connectors](#) category:*

*Click to view products by [TE Connectivity](#) manufacturer:*

Other Similar products are found below :

[003-018-000](#) [600858](#) [60403001](#) [60993906-B](#) [60993913-B](#) [629515004020001](#) [M902-2131](#) [M902-2161](#) [M902-2344](#) [72.330.1035.1](#)  
[73.353.4028.0](#) [F118010](#) [F119300-B](#) [F132210](#) [F132210-B](#) [F166900](#) [F180100](#) [F258300](#) [F258300-B](#) [F294300-B](#) [F339100](#) [F339700](#) [F358300-](#)  
[B](#) [F374110](#) [F407400](#) [F412210](#) [F427600](#) [F444110](#) [F487000](#) [F495100-B](#) [F500900-B](#) [F509500B-B](#) [770444-1](#) [776880-1](#) [827153-1](#) [881735-1](#)  
[8N1515-32-24P](#) [9-1326727-8](#) [9-1326729-8](#) [925467-1](#) [925474-1](#) [928905-1](#) [936398-2](#) [964562-1](#) [964562-4](#) [964731-2](#) [965051-1](#) [968782-1](#)  
[GT17SA-8DS-HU](#) [GT17VS-10DP-5.2CF](#)