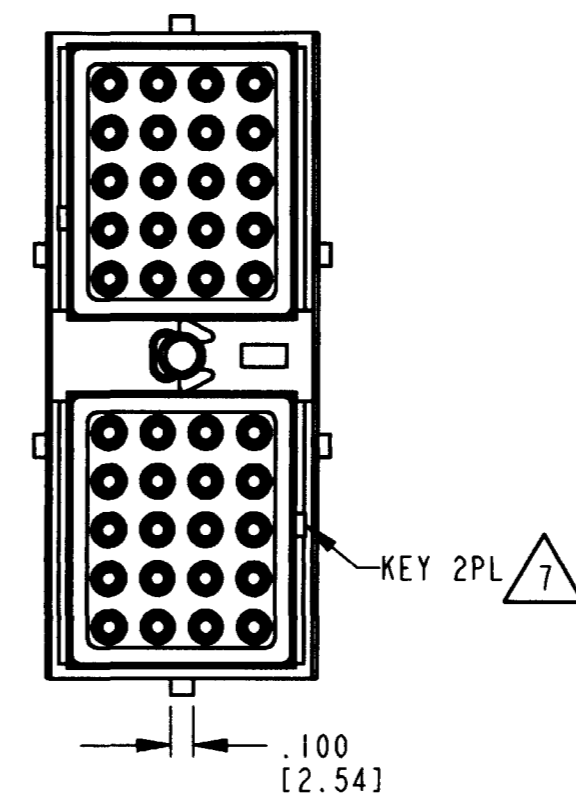
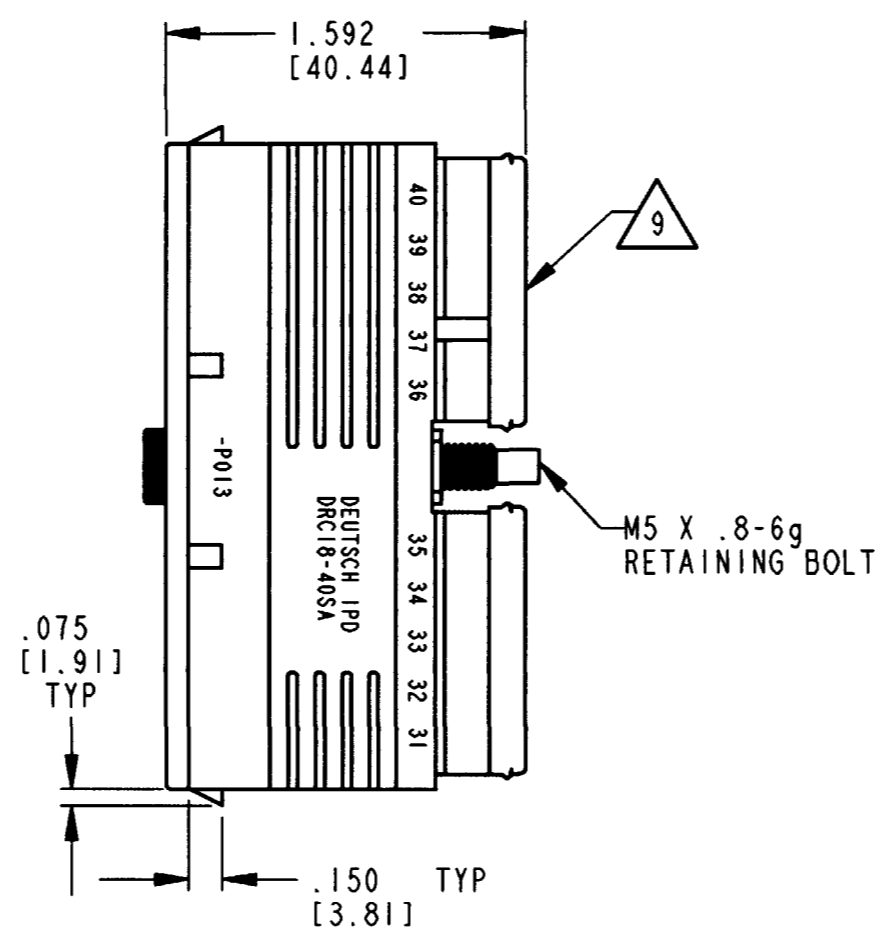
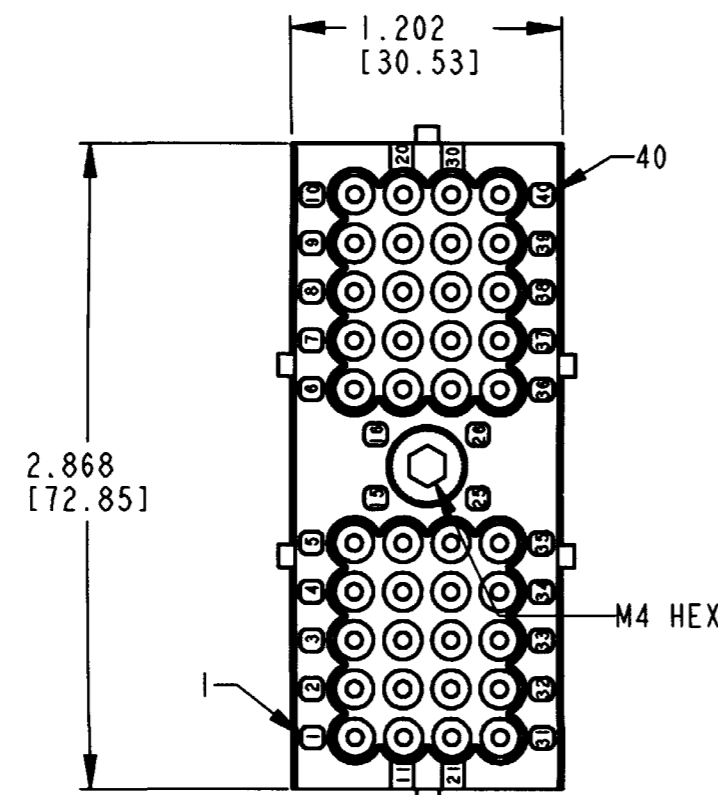


REV
NC **DRC18-40S*P013**

REVISIONS			
SYM	DESCRIPTION	DATE	APPROVED
NC	REDRAWN & REPLACES PREVIOUS		
	ISSUES PER E.O. P17730	4-29-02	RDR



- 8. MATING TORQUE REQUIREMENT: 25-28 IN-LB [2.82-3.13 Nm].
 - 7. SEE SHEET 2 FOR OTHER KEY ARRANGEMENTS.
 - 6. MATERIAL- PLUG: PLASTIC; SEAL/GROMMET: RUBBER; RETAINING BOLT: STEEL.
 - 5. THIS PLUG MATES WITH DRC12-40P*-****; DRC13-40P*-**** AND DRC14-40P*-**** RECEPTACLE. (*=A,B,C,D KEYS; ****=ALL MODIFICATIONS). CONSULT FACTORY FOR MODS.
 - 4. FOR CONTACTS AND WIRE PERFORMANCE AND APPLICATION CHARACTERISTICS, SEE ENVELOPE DRAWING 0425-015-0000.
 - 3. PLUG SUPPLIED WITH DUST CAP. (NOT SHOWN).
 - 2. DIMENSION TOLERANCE: ±.025 [.64].
 - 1. DIMENSIONS ARE IN INCHES [mm].
- NOTES: UNLESS OTHERWISE SPECIFIED

MIN. INSUL. O.D.	MAX. INSUL. O.D.	WIRE RANGE [mm ²] REF ONLY
.100 [2.54]	.134 [3.40]	14-20 AWG [2.0-0.50]

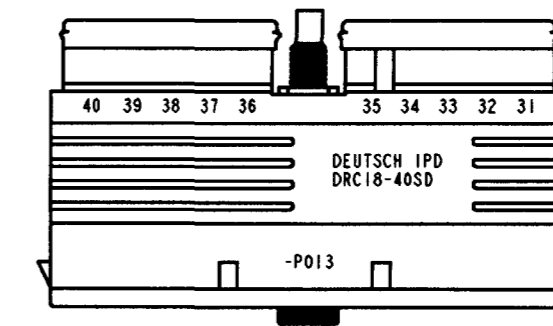
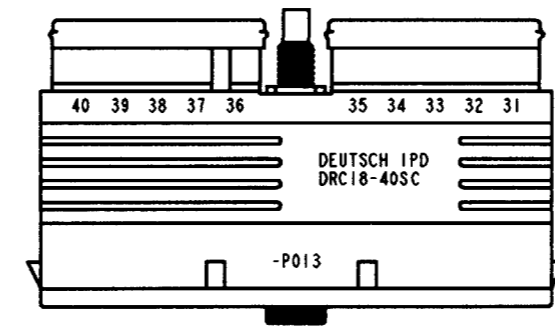
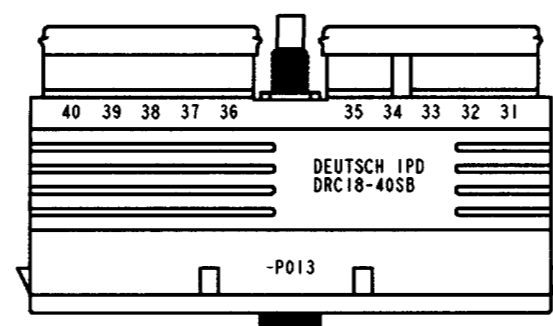
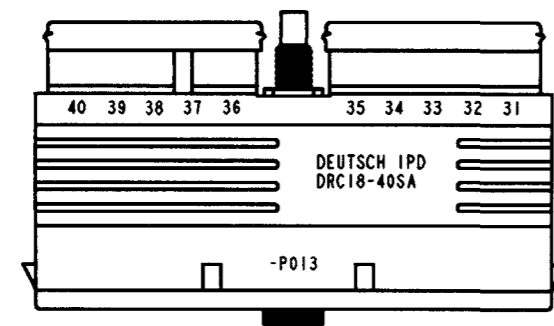
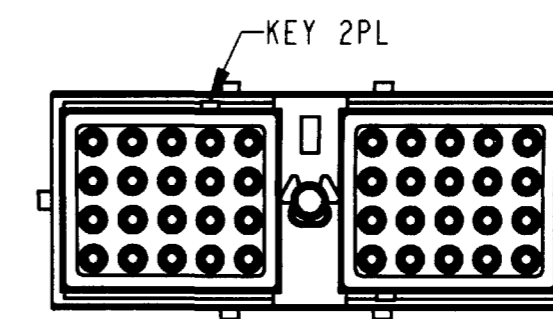
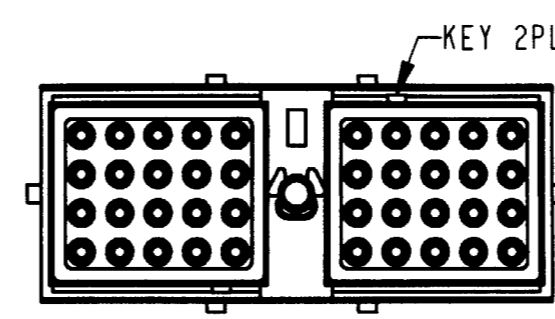
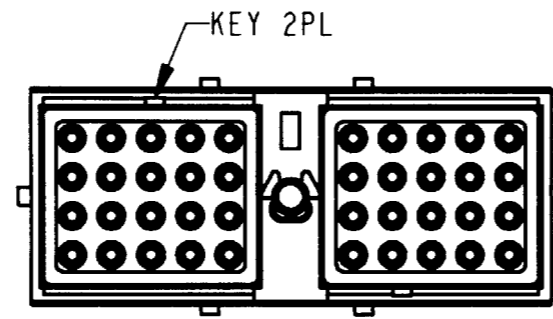
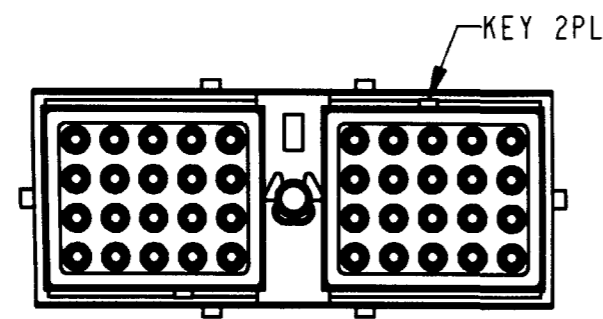
9. PART MODIFICATION: INTERFACE SEALS ARE BONDED TO PLUG HOUSING.

SIGNATURE & DATE	
DR	D. MEYER 04/15/02
CHK	[Signature] 4/23/02
PE	[Signature] 4/23/02
APPD	[Signature] 4-26-02
SCALE	NONE WT

PLUG
40 SIZE 16
KEYS: A,B,C,D
COLOR: BLACK
DRC SERIES
ENVELOPE

CP	MATL. CODE
The Deutsch Company DEUTSCH I.P.D. 3850 INDUSTRIAL AVE. HEMET, CALIF. 92545	
B DRC18-40S*P013	
DWG SIZE	CODE 11139 SHEET 1 OF 2

REV NC	DRC18-40S*-P013	REVISIONS		
SYM	DESCRIPTION	DATE	APPROVED	
	SEE SHEET 1	4-15-02	<i>DM</i>	



DRC18-40SA-P013
KEY: -A-

DRC18-40SB-P013
KEY: -B-

DRC18-40SC-P013
KEY: -C-

DRC18-40SD-P013
KEY: -D-

NOTES:

SIGNATURE & DATE		PLUG 40 SIZE 16 KEYS: A,B,C,D COLOR: BLACK DRC SERIES ENVELOPE	CP	MATL. CODE	
DR	<i>D. MEYER 04/15/02</i>		The Deutsch Company DEUTSCH I.P.D. 3850 INDUSTRIAL AVE. HEMET, CALIF. 92545		
CHK	<i>D. Meyer 4/15/02</i>		B	DRC18-40S*-P013	
PE	<i>D. Meyer 4/15/02</i>			DWG SIZE	CODE
APPD	<i>R. Reed 4-15-02</i>				
SCALE	NONE	WT			

X-ON Electronics

Largest Supplier of Electrical and Electronic Components

Click to view similar products for [Automotive Connectors](#) category:

Click to view products by [TE Connectivity](#) manufacturer:

Other Similar products are found below :

[003-018-000](#) [600858](#) [60403001](#) [60993906-B](#) [60993913-B](#) [629515004020001](#) [M902-2131](#) [M902-2161](#) [M902-2344](#) [72.330.1035.1](#)
[73.353.4028.0](#) [F118010](#) [F119300-B](#) [F132210](#) [F132210-B](#) [F166900](#) [F180100](#) [F258300](#) [F258300-B](#) [F294300-B](#) [F339100](#) [F339700](#) [F358300-](#)
[B](#) [F374110](#) [F407400](#) [F412210](#) [F427600](#) [F444110](#) [F487000](#) [F495100-B](#) [F500900-B](#) [F509500B-B](#) [770444-1](#) [776880-1](#) [827153-1](#) [881735-1](#)
[8N1515-32-24P](#) [9-1326727-8](#) [9-1326729-8](#) [925467-1](#) [925474-1](#) [928905-1](#) [936398-2](#) [964562-1](#) [964562-4](#) [964731-2](#) [965051-1](#) [968782-1](#)
[GT17SA-8DS-HU](#) [GT17VS-10DP-5.2CF](#)