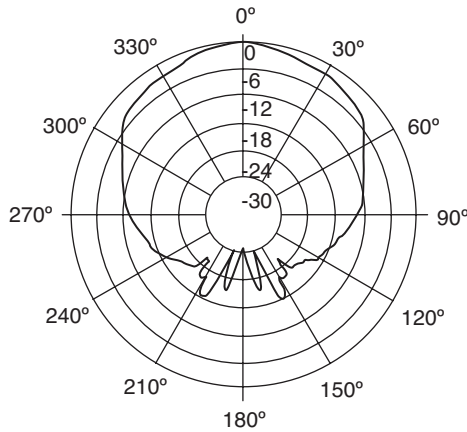


Part Number:

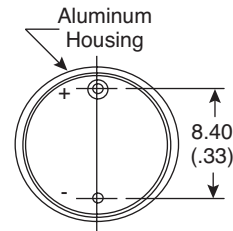
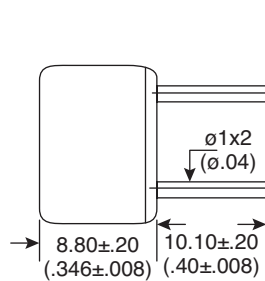
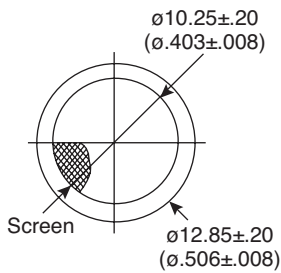
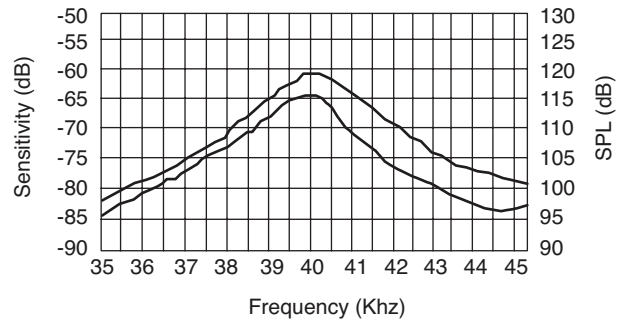
255-400ST12P-ROX,
255-400SR12P-ROX

Ultrasonic Transducers

Beam Angle
Tested at 40.0Khz Frequency



Sensitivity/Sound Pressure Level
Tested under 10Vrms @ 30cm



KT-400316

Electrical Specifications:

- Peak Frequency: 40.0±1.0KHz
- Sensitivity@fo: 255-400SR12P-ROX = -67dB min (0dB=1 Volt/ μ bar)
- Bandwidth: 2KHz @ -6dB
- Capacitance: 2400±20%pF @ 1KHz

- SPL@fo: 255-400ST12P-ROX = 115dB min (0dB = 0.0002 Volt/ μ bar)

Mechanical Specifications:

- Type: Transmitter - 255-400ST12P-ROX
Receiver: 255-400SR12P-ROX
- Operating Temperature: -30°C to +70°C
- Storage Temperature: -40°C to -80°C

Note:

- RoHS Compliant by Exemption

X-ON Electronics

Authorized Distributor

Click to view similar products for [Proximity Sensors](#) category:

[70.364.4828.0](#) [MK11-B8-BV51208](#) [MK14-1B90E-500W](#) [E2A-M12LN08-WP-B1-2M](#) [E2A-M12LN08-WP-C1 2M](#) [E2B-M12KS04-WP-B2 2M](#) [E2BM18KN16M1C2](#)
[E2BM18KS08WPC22M](#) [E2B-M18LN16-M1-C1](#) [E2BS08LS02WPB25M](#)