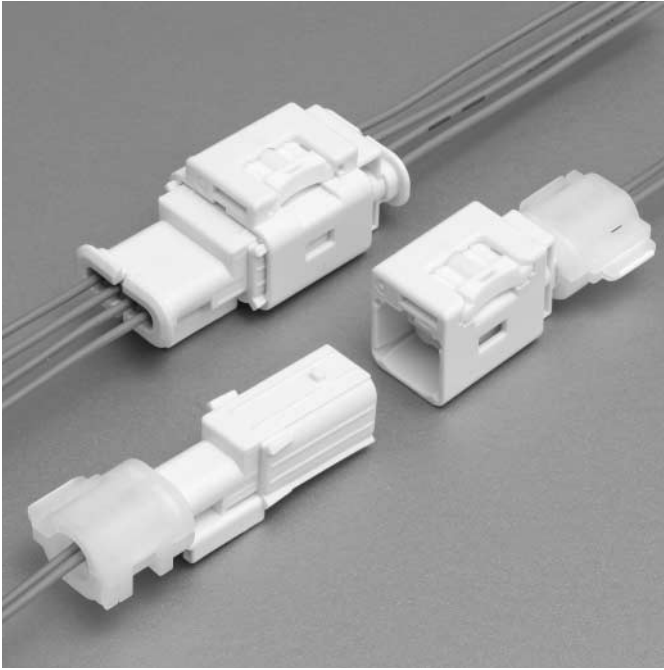


SAB CONNECTOR

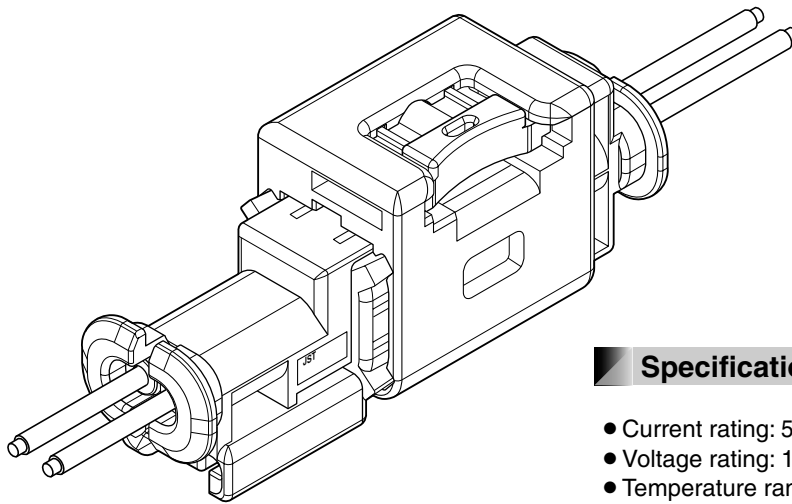
Wire-to-wire/Sealed connector



0.64 mm single sealed wire to wire connector with rigid design and spring lock mechanism.

Spring force prevents half-mating during mating and keeps constant rigid connection between male and female connector.

This connector has short terminal to prevent accidental electrical discharge.



Features

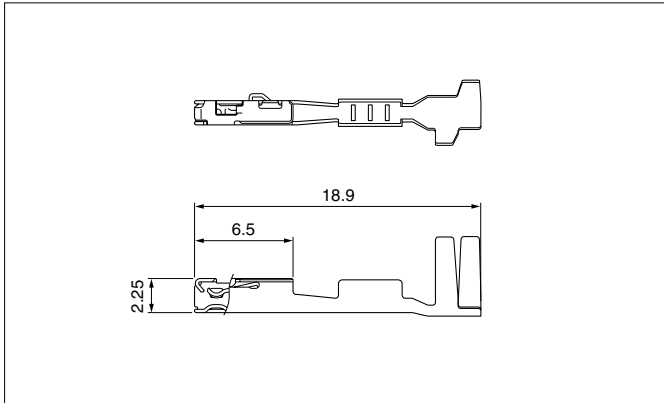
- **0.64 mm Single Sealed Connector**
- **Anti Vibration Mechanism**
High reliability rigid connector enables to keep higher durability at shock and vibrated environment.
- **Fool Proof Systems**
Compression spring prevents half-connecting.

Specifications

- Current rating: 5 A AC, DC max.
- Voltage rating: 14 V DC
- Temperature range: -40°C to +80°C
(including temperature rise in applying electrical current)
- Contact resistance: Initial value/ 10 mΩ max.
After environmental tests/ 20 mΩ max.
- Insulation resistance: 100 MΩ min.
- Withstanding voltage: 1,000 VAC/minute
- Applicable wire: AVSS 0.5 mm²

- * Compliant with ELV/RoHS.
- * Contact JST for details.

Female terminal



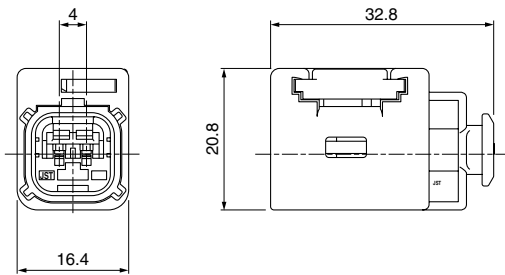
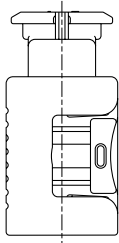
Model No.	Applicable wire range		Q'ty/reel
	Conductor (mm ²)	Insulation O.D. (mm)	
SAITS-A03GF-M064	0.5	1.6 to 1.7	3,500

Material and Finish

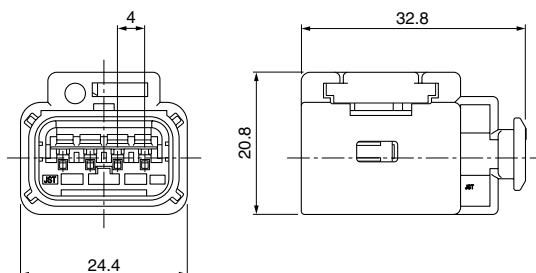
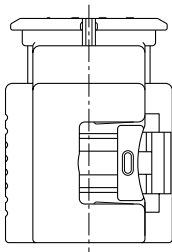
Copper alloy, nickel-undercoated, Contact area; gold-plated
Barrel area; tin-plated

Female connector

● 2 circuits



● 4 circuits



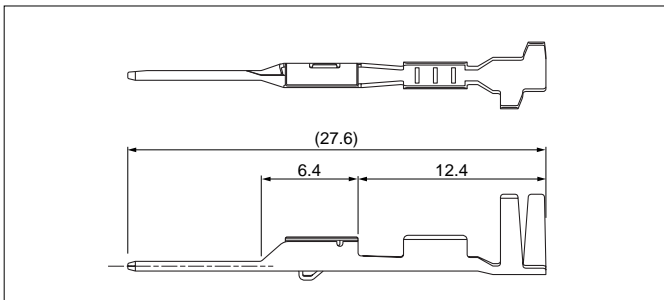
Circuits	Model No.	Q'ty/box
2	SABRB-02-1A-Y	125
4	SABRB-04-1A-Y	100

Material and Finish

Housing: Glass-filled PBT, Yellow
Slider: Glass-filled PBT, Natural (White)
Retainer: Glass-filled PBT, Natural (White)
Spring: SUS
Inner seal: Silicone

SAB CONNECTOR

Male terminal



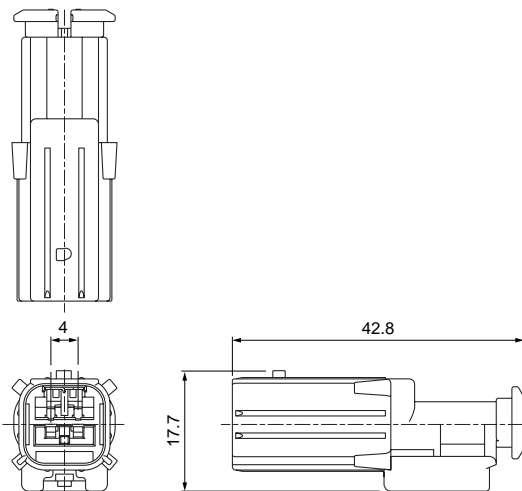
Model No.	Applicable wire range		Q'ty/reel
	Conductor (mm ²)	Insulation O.D. (mm)	
SAITWS-A03GF-064	0.5	1.6 to 1.7	3,500

Material and Finish

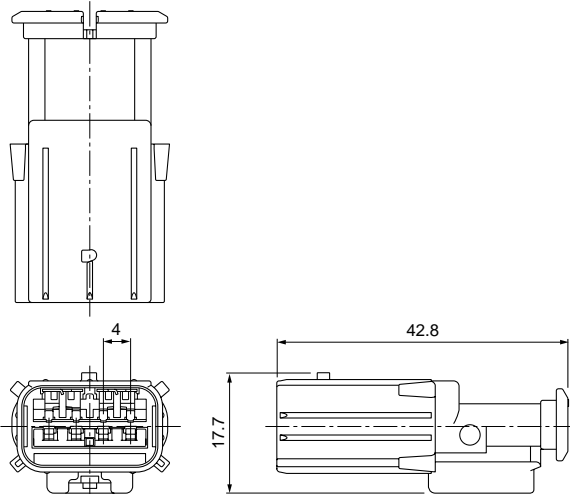
Brass, nickel-undercoated, Contact area; gold-plated
Barrel area; tin-plated

Male connector

• 2 circuits



• 4 circuits



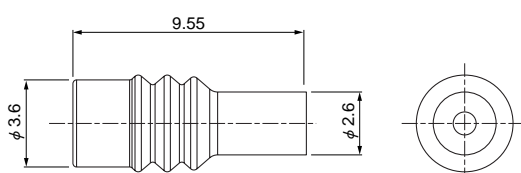
Circuits	Model No.	Q'ty/box
2	SABPB-02-1A-Y	125
4	SABPB-04-1A-Y	100

Material and Finish

Housing: Glass-filled PBT, Yellow
Retainer: Glass-filled PBT, Natural (White)
Short terminal: Copper alloy, nickel-undercoated, Contact area; gold-plated

Wire seal

• 2, 4 circuits



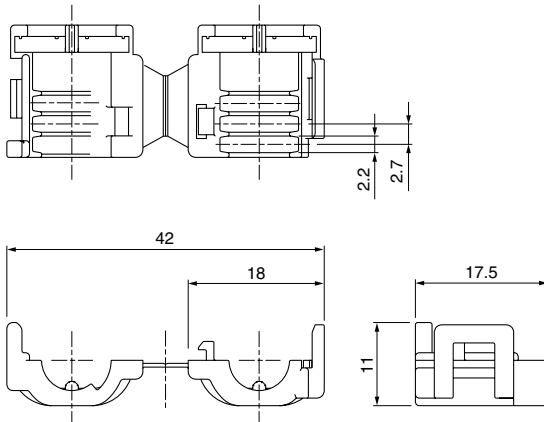
Model No.	Applicable wire range		Q'ty/box
	Conductor (mm ²)	Insulation O.D. (mm)	
A03WS-SAB-N	0.5	1.6 to 1.7	10,000

Material and Finish

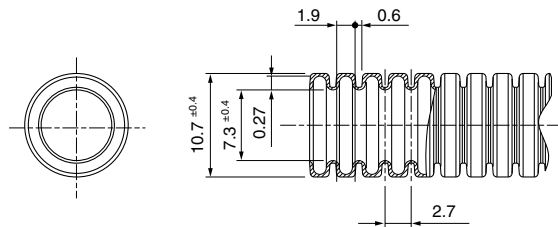
Silicone

Cover

● 2 circuits



Recommended corrugate tube layout

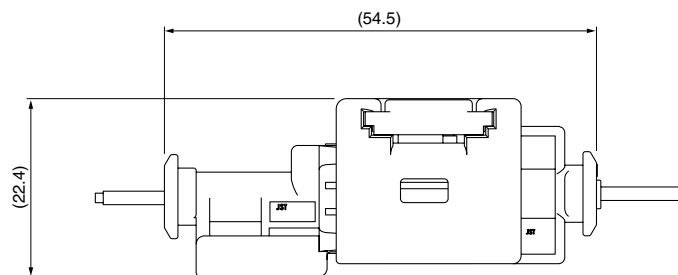


Model No.	Q'ty/box
Note) SABC-02-1A-W	200
Material and Finish	
PP, Natural (White)	

Note: Cover is applicable only for 2 circuits.

Assembly layout

● 2, 4 circuits



Crimping machine, Applicator

Strip terminal	Crimping machine	Crimp applicator MKS-L	
		Dies	Crimp applicator with dies
SAITS-A03GF-M064	AP-K2N	MK/SAITS-A03-064	APLMK SAITS-A03-064
SAITWS-A03GF-064		MK/SAITWS-A03-064	APLMK SAITWS-A03-064

Note: When crimping operation is conducted using an applicator and die set other than the above, JST cannot guarantee the performance of the terminal.

X-ON Electronics

Largest Supplier of Electrical and Electronic Components

Click to view similar products for [Automotive Connectors](#) category:

Click to view products by [JST](#) manufacturer:

Other Similar products are found below :

[003-018-000](#) [600858](#) [60403001](#) [60993906-B](#) [60993913-B](#) [629515004020001](#) [M902-2131](#) [M902-2161](#) [M902-2344](#) [72.330.1035.1](#)
[73.353.4028.0](#) [F118010](#) [F119300-B](#) [F132210](#) [F132210-B](#) [F166900](#) [F180100](#) [F258300](#) [F258300-B](#) [F294300-B](#) [F339100](#) [F339700](#) [F358300-](#)
[B](#) [F374110](#) [F407400](#) [F412210](#) [F427600](#) [F444110](#) [F487000](#) [F495100-B](#) [F500900-B](#) [F509500B-B](#) [770444-1](#) [776880-1](#) [827153-1](#) [881735-1](#)
[8N1515-32-24P](#) [9-1326727-8](#) [9-1326729-8](#) [925467-1](#) [925474-1](#) [928905-1](#) [936398-2](#) [964562-1](#) [964562-4](#) [964731-2](#) [965051-1](#) [968782-1](#)
[GT17SA-8DS-HU](#) [GT17VS-10DP-5.2CF](#)