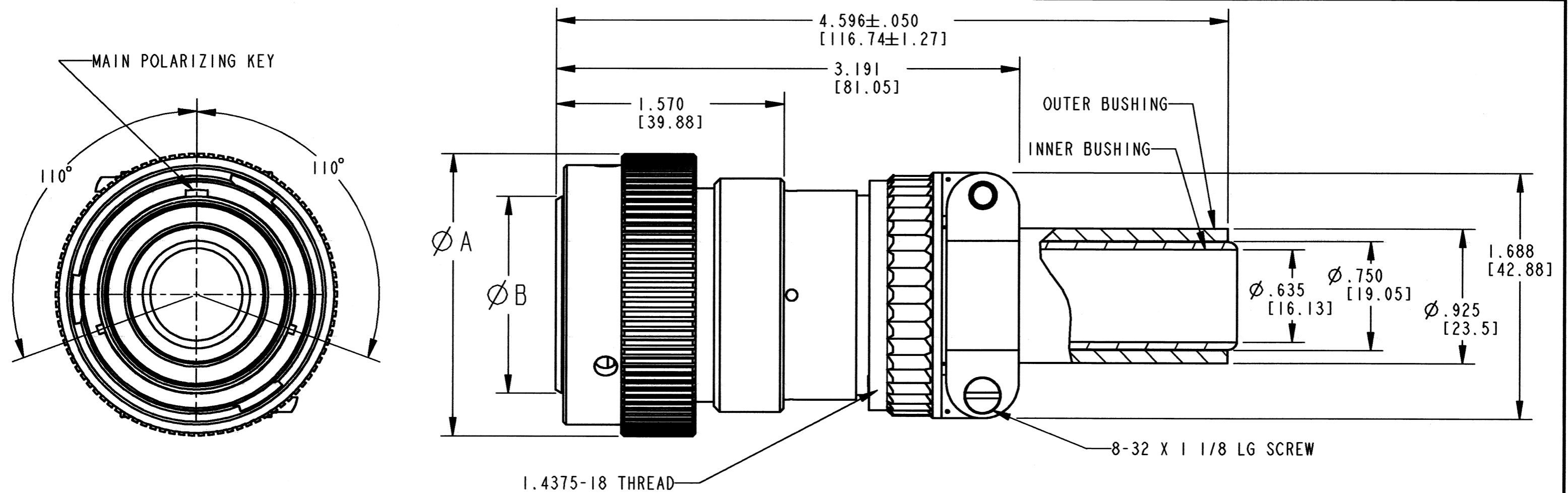


SIZE	ϕA $\pm .000$ $[-.100]$ $[\frac{+.000}{-.254}]$	ϕB
18	1.692 [42.98]	1.103 [28.02]
24	1.942 [49.32]	1.353 [34.37]

REV
NC HDB36-**-**P/S*-059
1 2

REVISIONS			
SYM	DESCRIPTION	DATE	APPROVED
NC	NEW RELEASE PER E.O. P20357	3-1-10	RDR



6. CABLE CLAMP ACCEPTS CABLE O.D. ϕ .300 MIN. THRU ϕ .948 MAX.
5. FOR CONTACTS AND WIRES PERFORMANCE AND APPLICATION CHARACTERISTICS SEE ENVELOPE DRAWING 0425-015-0000.
4. FOR ARRANGEMENT OF CONTACT LOCATION SEE ENVELOPE DRAWING 0425-014-2400 AND 0425-013-1800.
3. FOR PERFORMANCE AND APPLICATION CHARACTERISTICS SEE ENVELOPE DRAWING 0425-016-0000.
2. ALL DIMENSIONS ARE IN INCHES [MILLIMETERS].
- NOTES: 1. CONSULT THE FACTORY FOR ELECTRICAL AND MATERIAL SPECIFICATIONS.

9. BREAKAWAY FUNCTION OCCURS AT AN AXIAL LOAD OF 50 TO 100 LBS.
8. DIMENSION TOLERANCE IS $\pm .025$ [.63] UNLESS OTHERWISE SPECIFIED.
7. THIS CONNECTOR MATES WITH HD34-**-**₁-**₂P/S*-****
 (**₁ = SIZE, **₂ = ALL ARRANGEMENTS EXCEPT 91, * = SEAL TYPE, **** = ALL MODIFICATIONS).

SIGNATURE & DATE	
DR	R. MESSENGER 9NOV05
CHK	<i>[Signature]</i> 3/1/10
PE	<i>[Signature]</i> 3-1-10
APPD	<i>[Signature]</i> 3-1-10
SCALE	NONE WT

**PLUG CONNECTOR
SHELL SIZE 18 & 24
BAYONET COUPLING
HDB SERIES**

ENVELOPE

EP	NATL. CODE
3850 INDUSTRIAL AVE. HEMET, CA 92545 DEUTSCH INDUSTRIAL	
B HDB36-**-**P/S*-059	
DWG SIZE	CODE 11139 SHEET OF

X-ON Electronics

Largest Supplier of Electrical and Electronic Components

Click to view similar products for [Automotive Connectors](#) category:

Click to view products by [TE Connectivity](#) manufacturer:

Other Similar products are found below :

[003-018-000](#) [600858](#) [60403001](#) [60993906-B](#) [60993913-B](#) [629515004020001](#) [M902-2131](#) [M902-2161](#) [M902-2344](#) [72.330.1035.1](#)
[73.353.4028.0](#) [F118010](#) [F119300-B](#) [F132210](#) [F132210-B](#) [F166900](#) [F180100](#) [F258300](#) [F258300-B](#) [F294300-B](#) [F339100](#) [F339700](#) [F358300-](#)
[B](#) [F374110](#) [F407400](#) [F412210](#) [F427600](#) [F444110](#) [F487000](#) [F495100-B](#) [F500900-B](#) [F509500B-B](#) [770444-1](#) [776880-1](#) [827153-1](#) [881735-1](#)
[8N1515-32-24P](#) [9-1326727-8](#) [9-1326729-8](#) [925467-1](#) [925474-1](#) [928905-1](#) [936398-2](#) [964562-1](#) [964562-4](#) [964731-2](#) [965051-1](#) [968782-1](#)
[GT17SA-8DS-HU](#) [GT17VS-10DP-5.2CF](#)