



■ Features :

- Wall-mount and control panel acceptable
- Built-in ON/OFF button
- Digital meters for battery level, output load level, and operating status on remote control panel
- LED indicators for remote ON/OFF, abnormal and power saving mode
- Remote panel with 10FT cable length, optional for 25FT or 50FT
- Connect directly to the remote socket of inverter, no power supply needed
- 3 years warranty

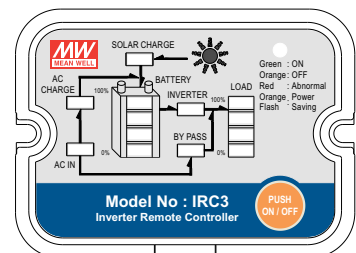
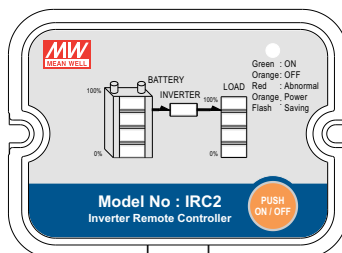
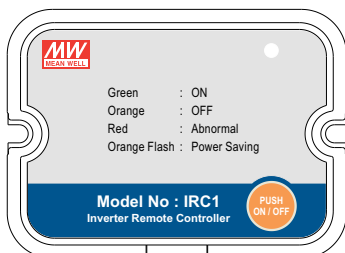
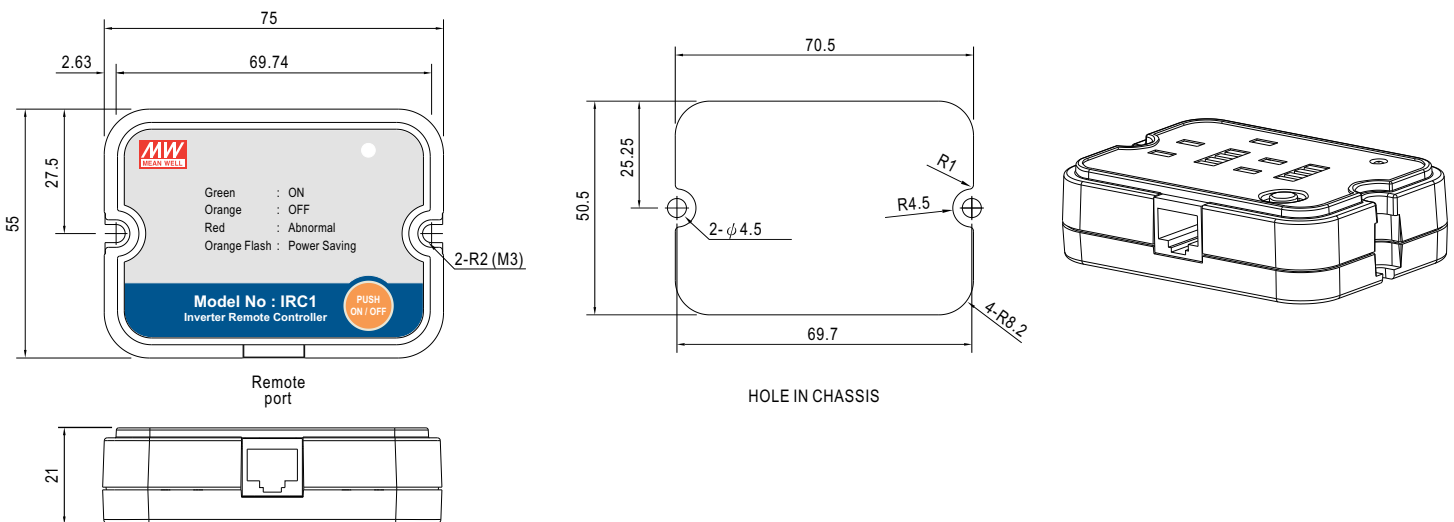
■ Description : IRC1 / IRC2 / IRC3 is the monitoring and control unit used for the inverter series. It can decode the RS-232 signal sent by inverter series and display through digital meters. IRC1 / IRC2 / IRC3 can also turn ON/OFF of inverter remotely that make the basic control more easily.



SPECIFICATION

| MODEL | IRC1 | IRC2 | IRC3 |
|--------------------|----------------------------------------------------------------------------|------------------------------------------------------------------------------------------------------|-------------------------------------------------------------------------------------|
| OUTPUT | DIGITAL METER | ----- | Display the battery level, output load level, and operating status of inverter unit |
| | CONTROL OUTPUT | Remote ON/OFF for inverter unit | |
| | LED INDICATOR | Remote turn ON(Green) ; Remote turn Off(Orange) ; Abnormal (Red) ; Saving mode (Orange flash) | |
| FUNCTION | REMOTE ON/OFF CONTROL | The controlled inverter unit can be turned ON/OFF on the remote control panel for IRC1 / IRC2 / IRC3 | |
| | POWER SAVING CONTROL | Power saving enable / disable activation | |
| | SUITABLE SERIES | TS-700 / 1000 / 1500 / 3000 ; TN-1500 / 3000 | TS-700 / 1000 / 1500 / 3000 ; TN-1500 / 3000 |
| ENVIRONMENT | WORKING TEMP. | -20 ~ +50°C | |
| | WORKING HUMIDITY | 20 ~ 90% RH non-condensing | |
| | STORAGE TEMP., HUMIDITY | -40 ~ +85°C, 10 ~ 95% RH | |
| | VIBRATION | 10 ~ 500Hz, 2G 10min./1cycle, 60min. each along X, Y, Z axes | |
| EMC | EMC EMISSION | Compliance to EN55022 class A, EN61000-3-2,3, FCC PART 15 class A | |
| | EMC IMMUNITY | Compliance to EN61000-4-2,3,4,6,8 | |
| OTHERS | DIMENSION | 75*55*21mm (L*W*H) | |
| | PACKING | 0.26Kg; 24pcs/7.3Kg/1.75CUFT | |
| NOTE | 1. The remote control can not re-power on for inverter at abnormal status. | | |

■ Mechanical Specification



X-ON Electronics

Largest Supplier of Electrical and Electronic Components

Click to view similar products for [Power Inverters](#) category:

Click to view products by [Mean Well](#) manufacturer:

Other Similar products are found below :

[PV-400FC](#) [PV550](#) [3SIP500012](#) [IPS-900 24V/230V](#) [SINUS600 24V](#) [PE-35](#) [PE-40](#) [PS-250](#) [3IPS100012](#) [TS-1500-224B](#) [ISI-500-148A](#) [TS-1000-224B](#) [TS400-124F](#) [TS200-112F](#) [TS400-224B](#) [TS-3000-112F](#) [TS200-224B](#) [TN-3000-124F](#) [TN-1500-248B](#) [IRC3\(10ft. Cable\)](#) [IPS-4000S 12V/230V ECO MODE](#) [IPS-800U 12V/230V](#) [3IPS030012](#) [3IPS030024](#) [3IPS40012](#) [3IPS40024](#) [3IPS050012](#) [SINUS-10000PRO 12V](#) [SINUS-850PRO 12V](#) [SINUSPRO-1000E](#) [3SP091512E](#) [3IPS050024](#) [3IPS100024](#) [3IPS500024](#) [3IPS651012](#) [3IPS651024](#) [3IPS912246](#) [3IPS912249](#) [RED-16 24/12V 16A](#) [RED-6 24/12V 6A](#) [DC-120 12/24V 4A](#) [DC 200 24/12V 10A](#) [DC PRO 200 24/12V 15A](#) [DC 200 24/12V 15A VER. 2](#) [DC-400 24/12V 30A](#) [DC PRO 400 24/12V 30A](#) [DC-600 24/12V 40A](#) [DC PRO 600 24/12V 45A](#) [3ZHP1LED34](#) [3ZHP1LED12](#)