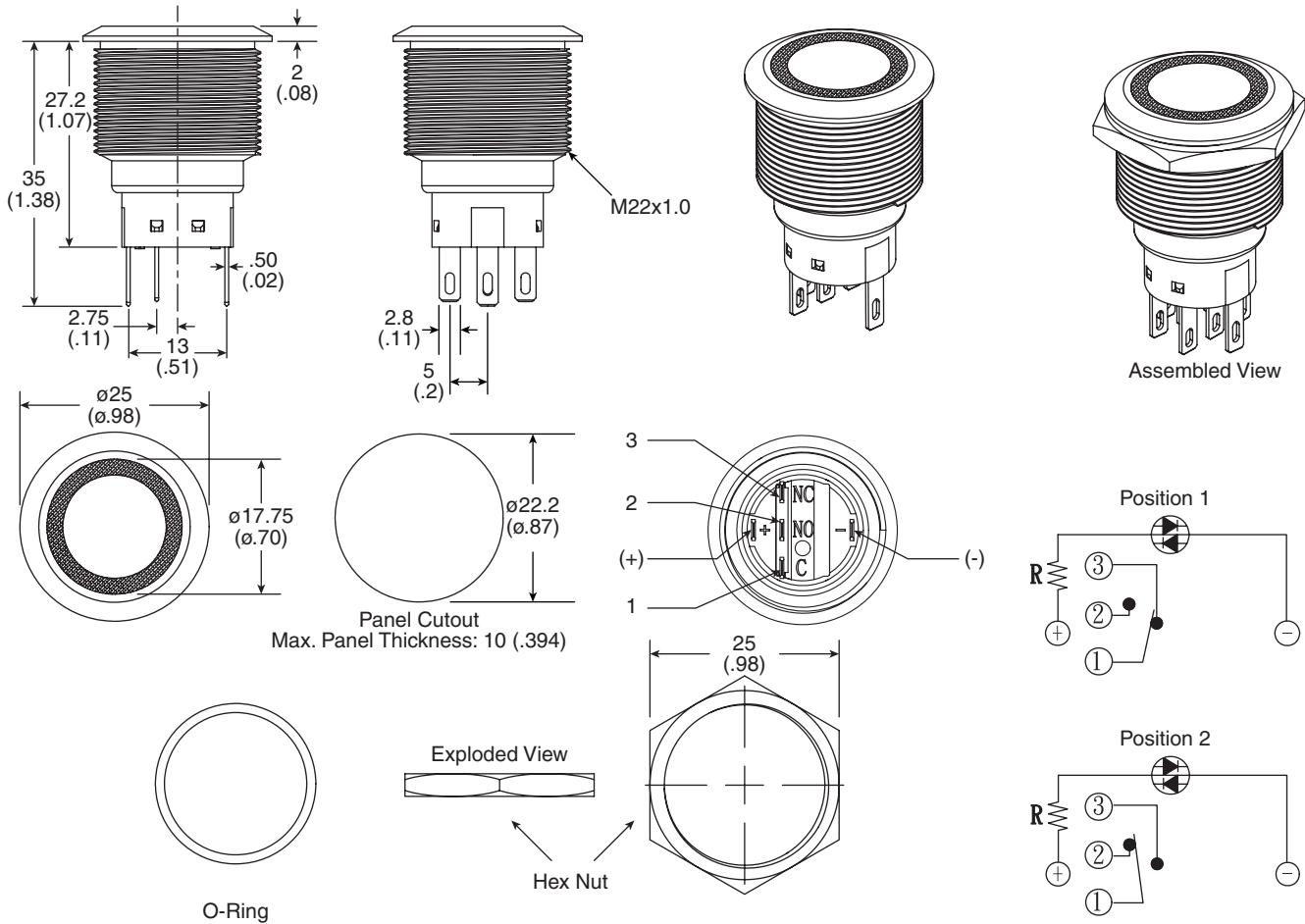


Dimensions: mm (in.)



**Mechanical Specifications:**

- Operating Temperature: -20°C to +55°C
- Travel: About 3.2mm

| Mouser Stock No. | Circuit Type | LED Color | LED Voltage |
|------------------|--------------|-----------|-------------|
| 108-22105-EVX    | OFF-(ON)     | Yellow    | 6V          |
| 108-22123-EVX    | ON-OFF       | Red       | 12V         |

**Electrical Specifications:**

- Rating: 5A/250VAC. resistive load 3A/250VAC.
- Life: 50,000 Make-and Break Cycles at Full Load
- Insulation Resistance: 1,000MΩ Min. at 500VDC.
- Dielectric Strength: 2,000V RMS @sea level.
- Contact Resistance: 50mΩ Max. @1A 12VDC (initial value)

**Material:**

- Body Type & Color: Aluminum alloy, Black Anodized

**Note:**

- RoHS Compliant by Exemption

**Illuminated Pushbutton Switches**  
108-22105-EVX, 108-22123-EVX



# X-ON Electronics

Authorized Distributor

*Click to view similar products for [Pushbutton Switches](#) category:*

[65101K206X](#) [M7E-HRN2](#) [701PB580](#) [MB2011SB1W03-DF](#) [MB2061SS1W01-CF](#)

[MB2411JG01-H](#) [MB2411S1W01-HB](#) [9001KR1BH5](#) [9001KR9R05](#) [9001KXRK](#)