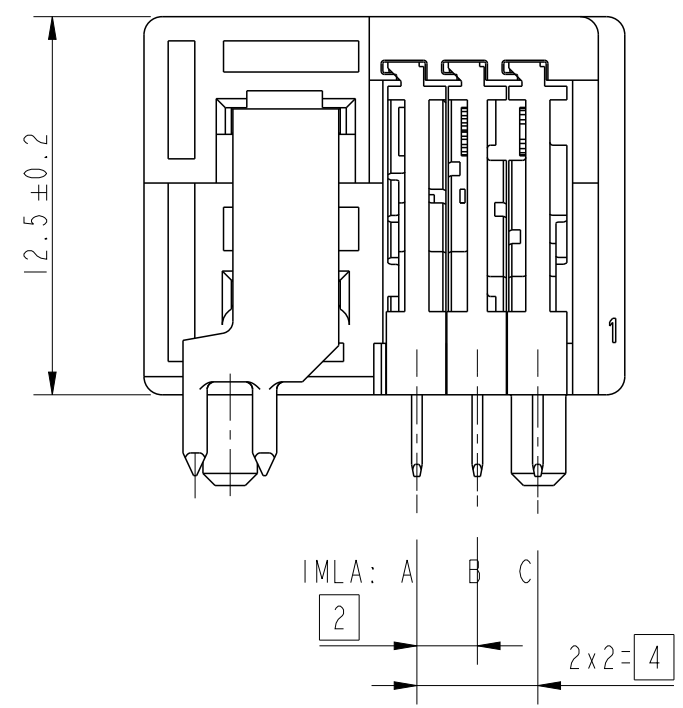
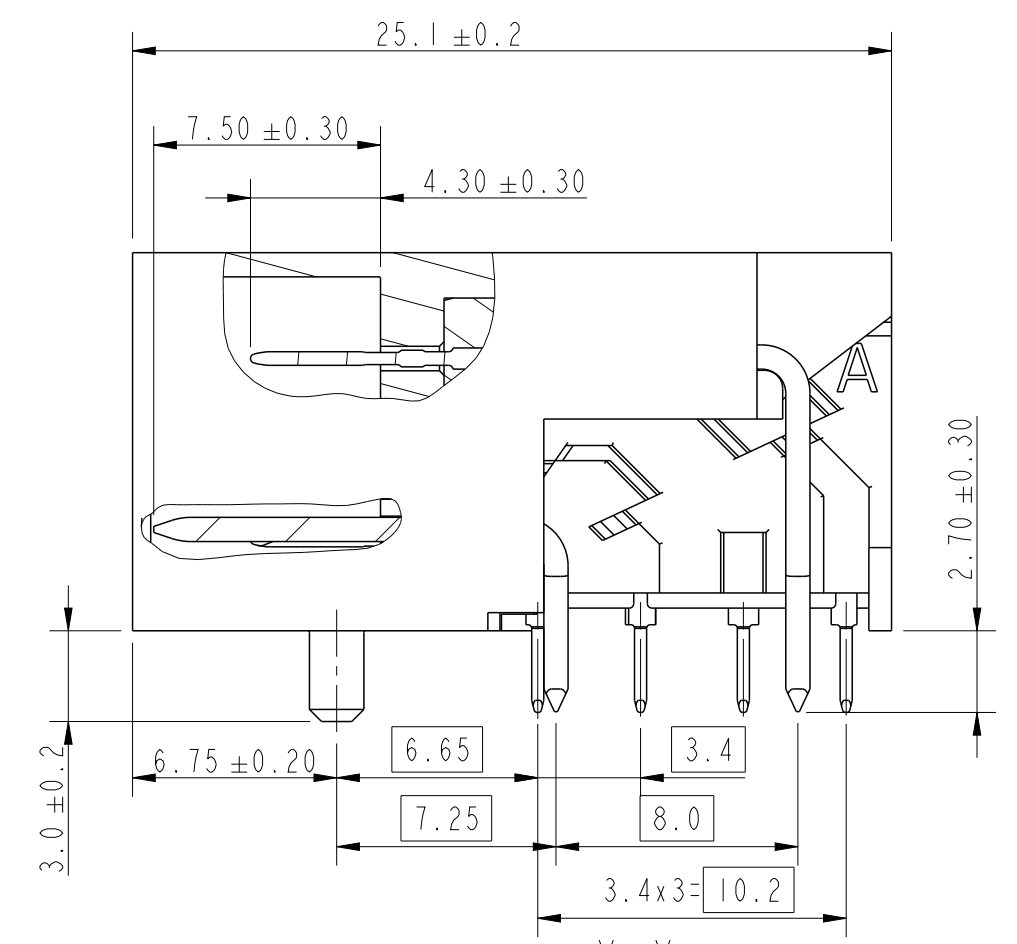
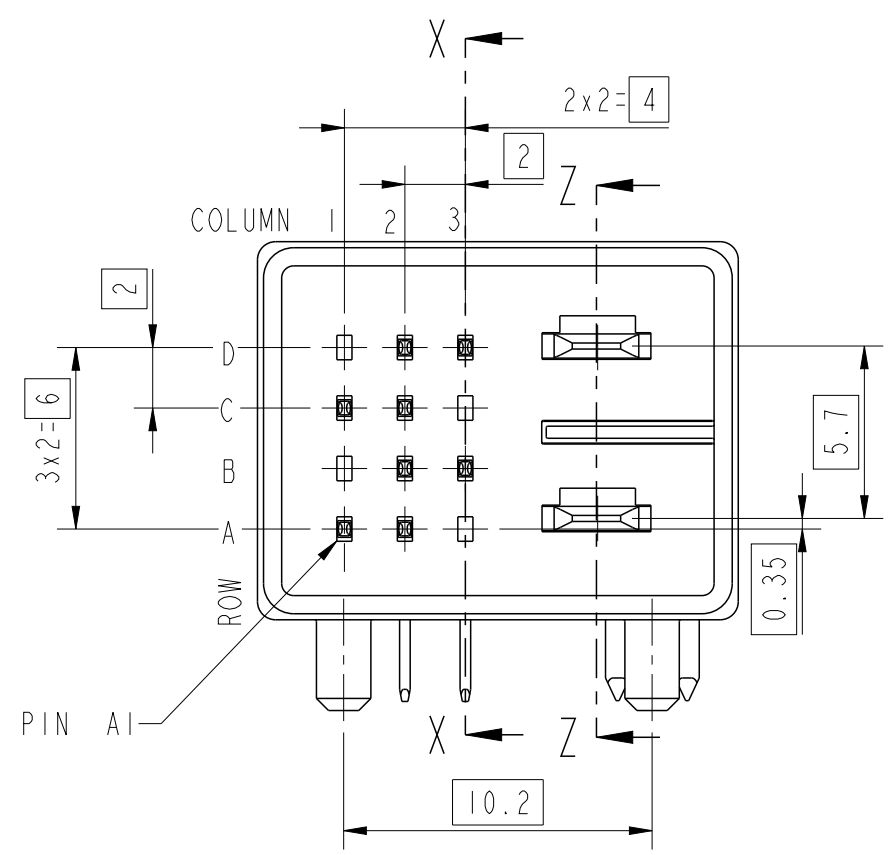
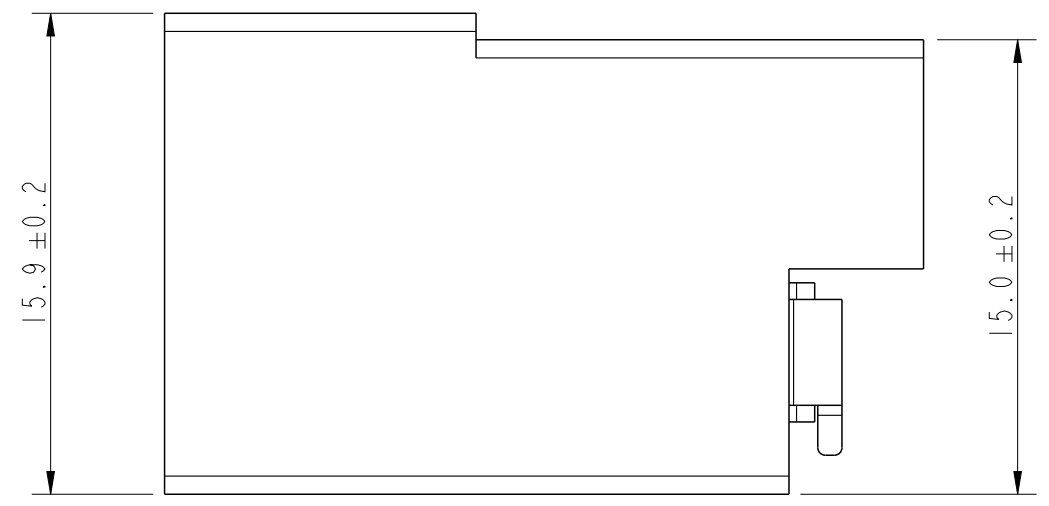


PRODUCT NUMBER
SEE TABLE

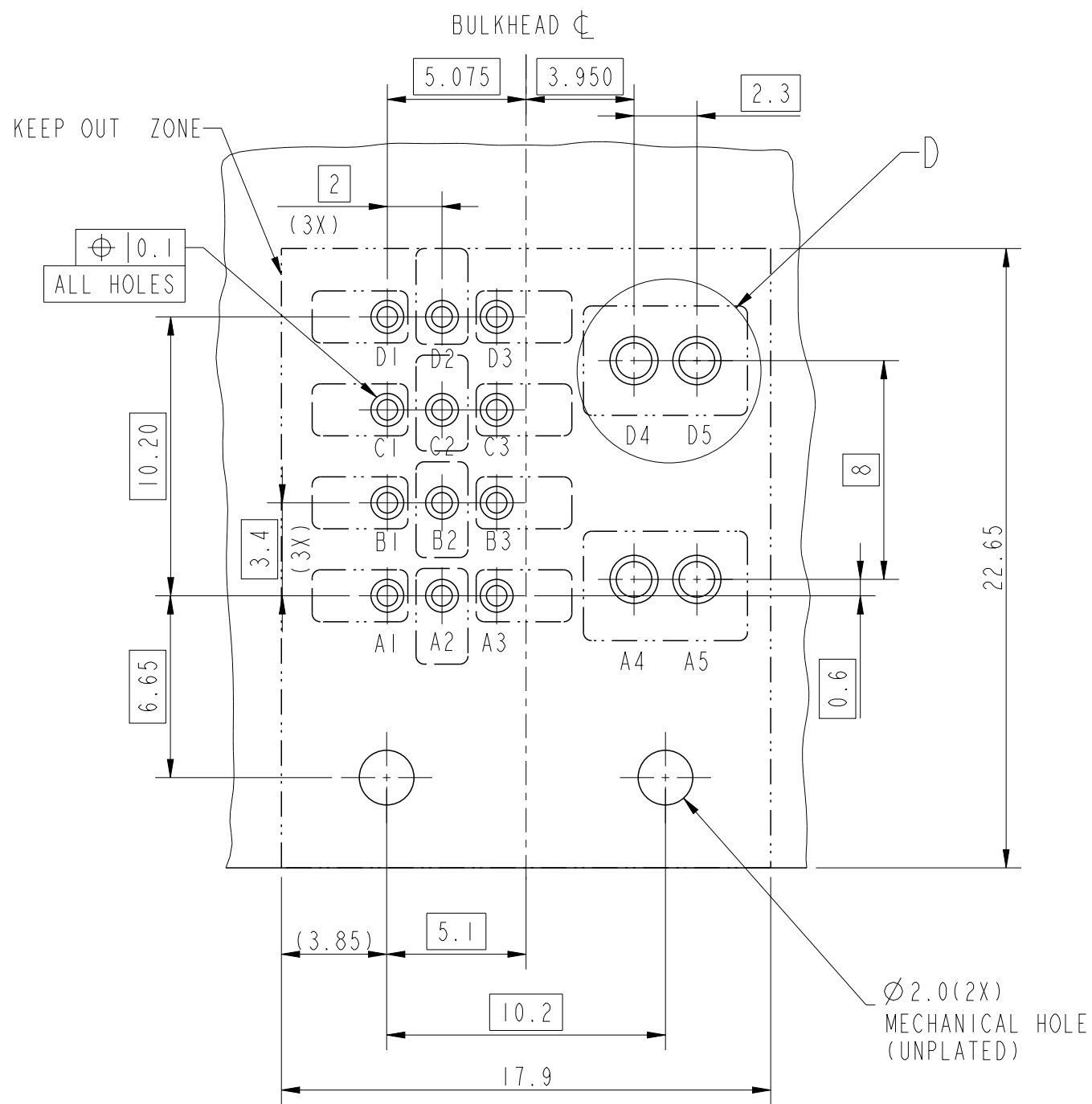


AFCI PART NO	ROW	COLUMN 1	COLUMN 2	COLUMN 3
10140949-101LF (VIEWS SHOWN IN THIS SHEET)	D	-	X	X
	C	X	X	-
	B	-	X	X
	A	X	X	-
10140949-102LF	D	X	X	X
	C	X	X	-
	B	X	X	X
10140949-103LF	D	X	X	X
	C	X	X	X
	A	X	X	X

SECTION X-X
Z-Z
SCALE 4:1

spec ref	-	dr	Jibin John	2017/09/26	projection	mm	size	A3	scale	1:1	
tolerance std	ISO 406 ISO 1101	eng	B T Varghese	2017/10/26			ecn no	ELX-I-28252-1	rel level	Released	
surface	linear	chr	-	apppr			K-Paul Biju	2017/10/26		product family	VERIO
ISO 1302	angular	0°	±2°	Amphenol FCI		title VERIO HYBRID (SIGNAL&POWER) RA BOARD CONNECTOR SIGNAL & PWR PIP TERMINATION	dwg no 10140949	rev C	cat. no. -	Product - Customer Drw	sheet 1 of 4

VIEW FROM COMPONENT SIDE

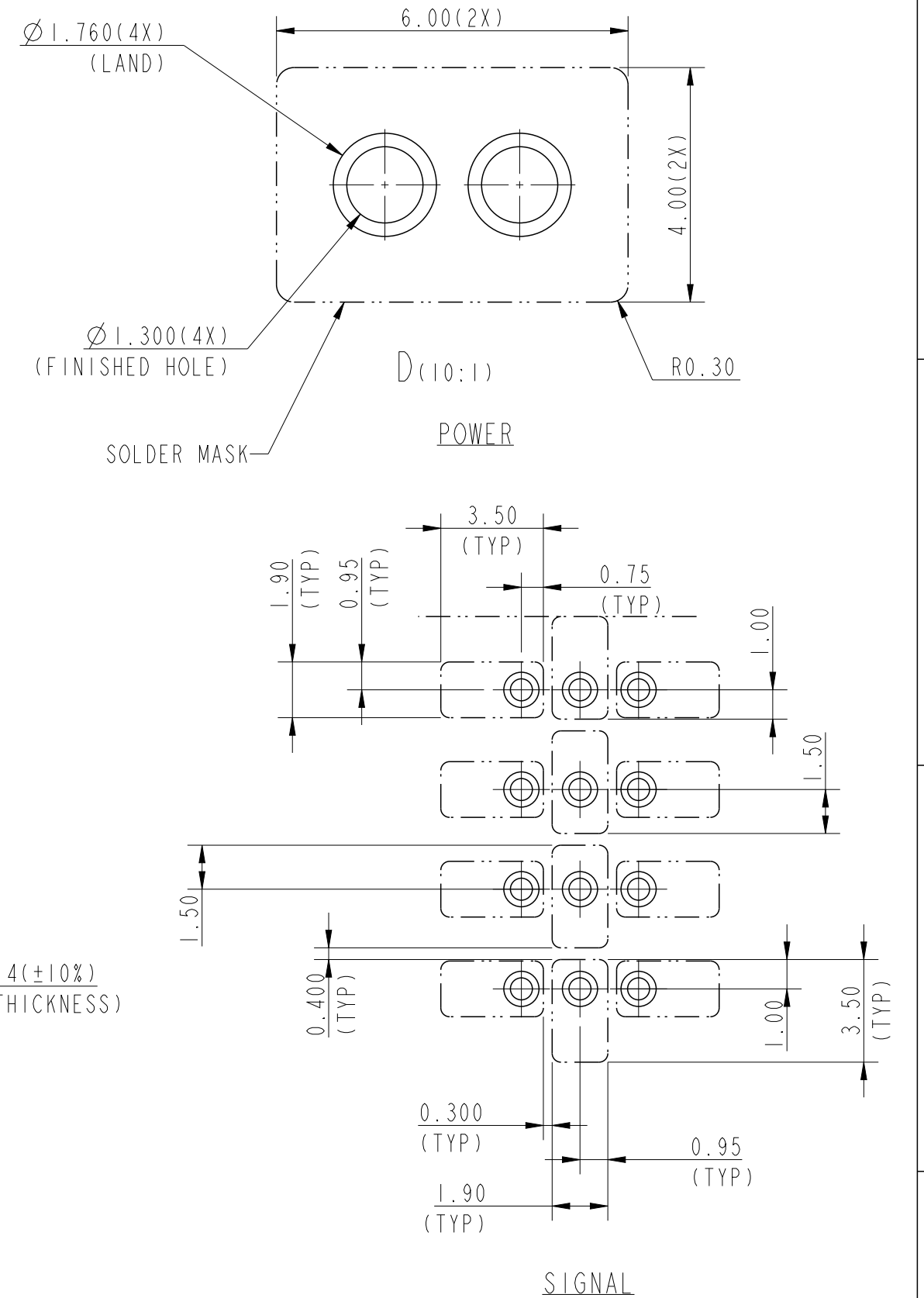


NOTE:
 ABOVE PCB IS FOR THE P/N 10140949-103LF
 FOR P/N 10140949-101LF, REMOVE HOLES A3,B1,C3 AND D1
 FOR P/N 10140949-102LF, REMOVE HOLES A3 AND C3

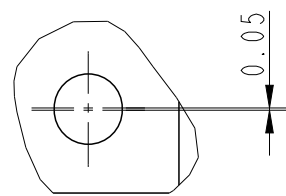
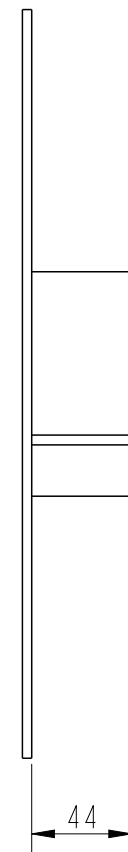
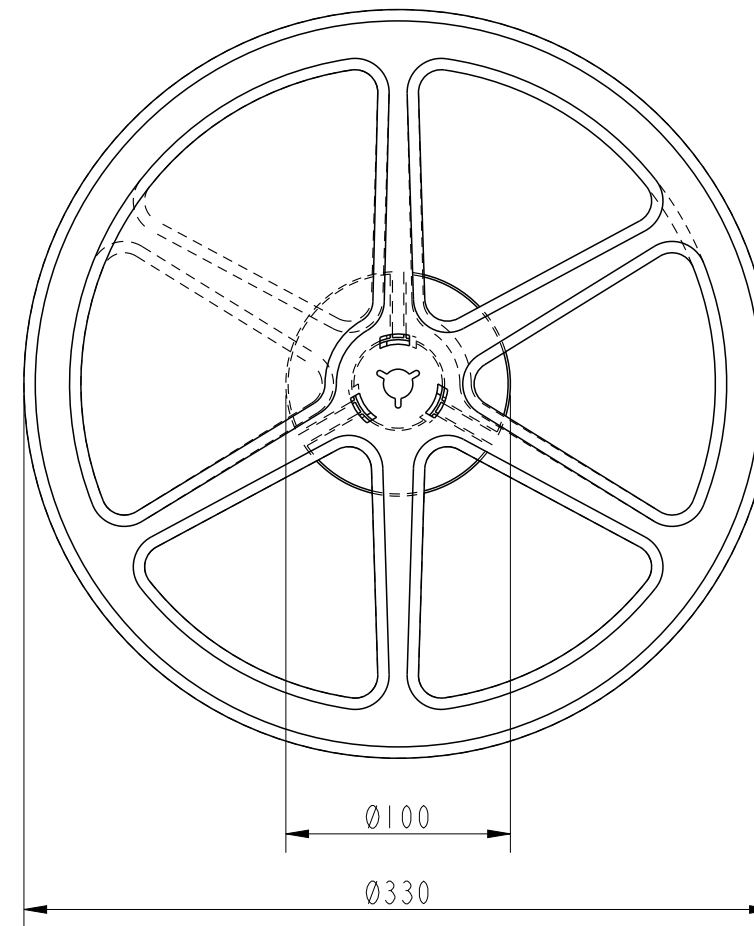
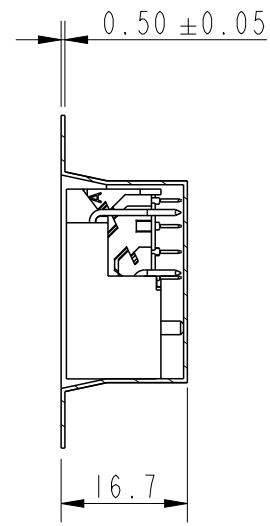
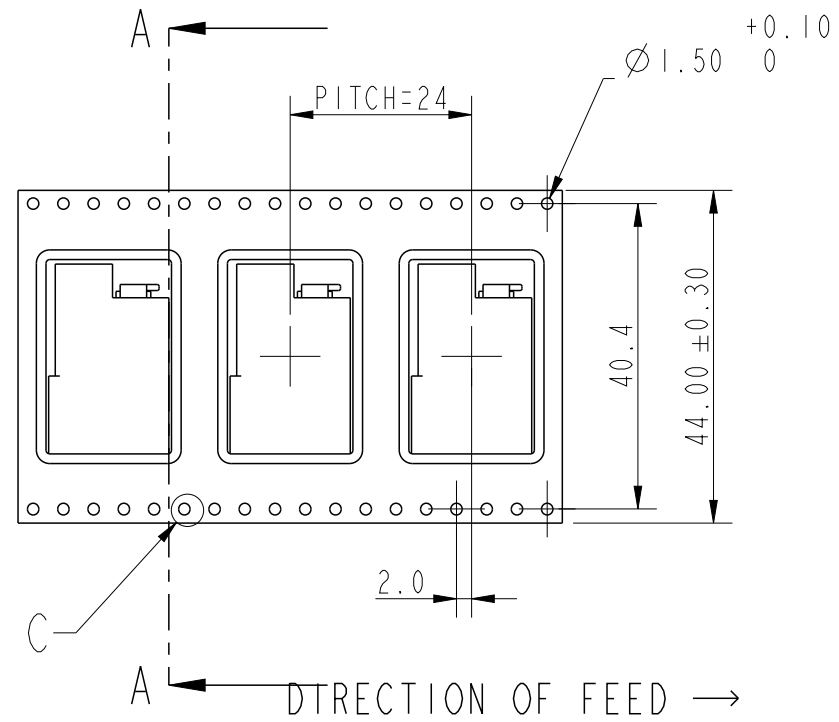
	SIGNAL PTH DETAILS	POWER PTH DETAILS
DRILLED HOLE	0.82-0.87mm	1.37-1.42mm
COPPER PLATING	25-50 μ m	25-50 μ m
TIN PLATING	0.8-1.2 μ m	0.8-1.2 μ m
FINISHED HOLE DIA	0.70-0.80mm	1.25-1.35mm

spec ref	-	dr	Jibin John	2017/09/26
tolerance std	ISO 406 ISO 1101	eng	B T Varghese	2017/10/26
	TOLERANCES UNLESS OTHERWISE SPECIFIED	chr	-	-
		appr	K-Paul Biju	2017/10/26
surface	linear	0.X	± 0.3	Amphenol FCI
		0.XX	± 0.10	
		0.XXX	± 0.050	
	angular	0°	$\pm 2^\circ$	

projection	mm	size	A3	scale	2:1
product family		ecn no	ELX-1-28252-1	rel level	Released
VERIO HYBRID (SIGNAL&POWER) RA BOARD CONNECTOR		dwg no	10140949	rev	C
SIGNAL & PWR PIP TERMINATION		cat. no.	Product - Customer Drw	sheet 2 of 4	



PACKAGING SPECIFICATION

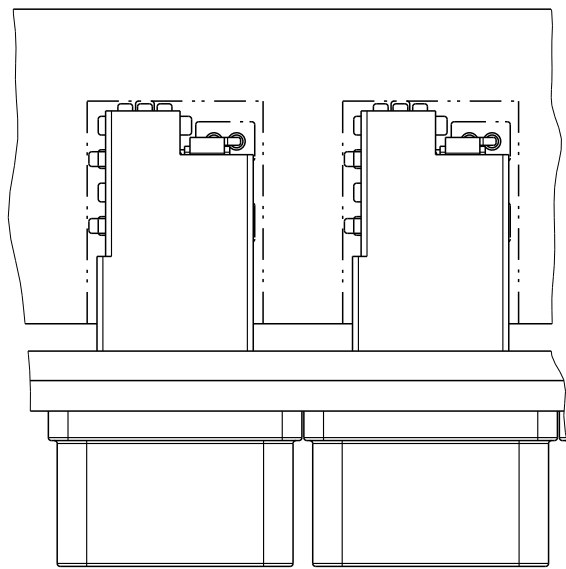


TAPE & REEL PACKING DETAILS

NOTES:

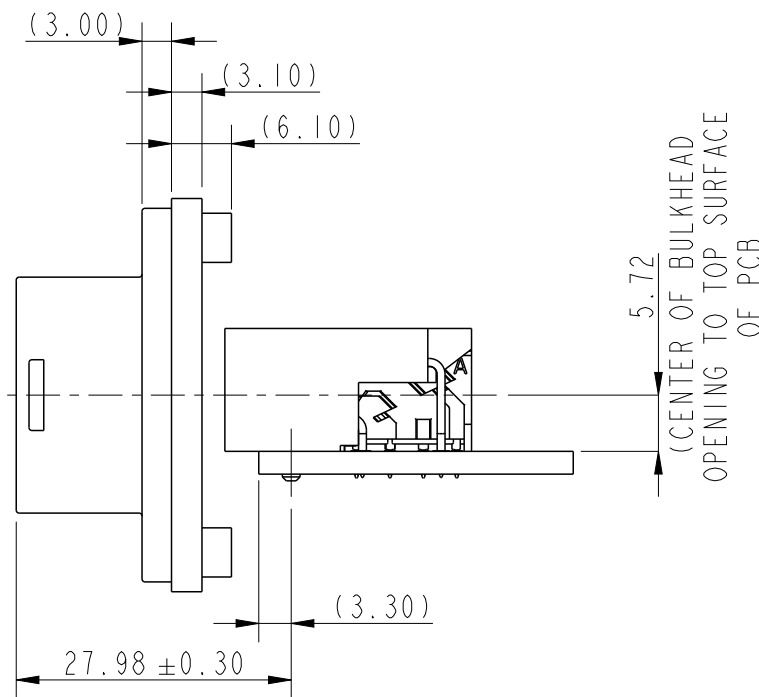
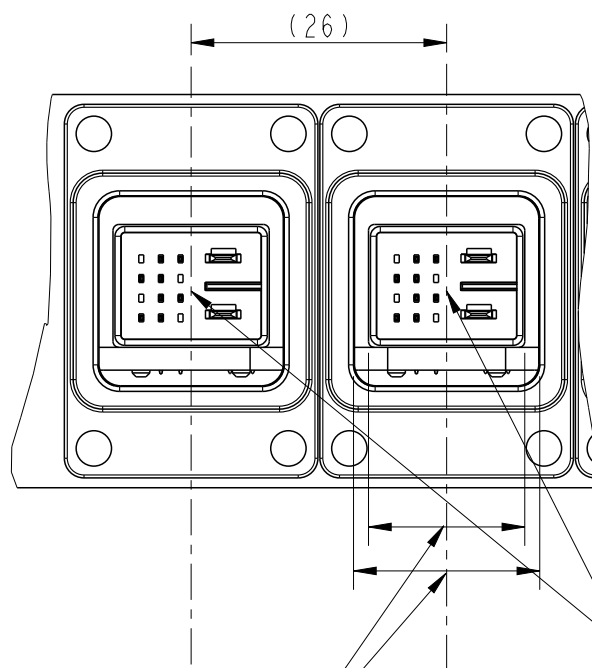
1. PACKAGING DETAILS AS PER EIA-481 STD.
2. MATERIAL : (ANTISTATIC)
CARRIER TAPE : POLYSTYRENE
COVER TAPE : POLYSTYRENE

spec ref	-	dr	Jibin John	2017/09/26	projection	mm	size	A3	scale	1:1	
tolerance std	ISO 406 ISO 1101	eng	B T Varghese	2017/10/26			ecn no	ELX-I-28252-1			
TOLERANCES UNLESS OTHERWISE SPECIFIED		chr	-	-			rel level	Released			
surface	linear	appr	K-Paul Biju	2017/10/26	product family	-	rel level	Released			
ISO 1302	angular	0°	±2°	Amphenol FCI	VERIO HYBRID (SIGNAL&POWER) RA BOARD CONNECTOR		dwg no	10140949		rev	C
					SIGNAL & PWR PIP TERMINATION						
				cat. no.	-	Product - Customer Drw	sheet 3 of 4				



NOTES:

1. MATERIAL :
 - RESIN - LCP, GLASS FILLED, FLAME RETARDANT ACC
 - FLAMMABILITY CLASSIFICATION - UL94-V0
 - SIGNAL & POWER CONTACTS - COPPER ALLOY
2. PLATING :
 - GOLD OVER PALLADIUM NICKEL ON CONTACT AREA OF SIGNALS
 - PURE TIN ON TERMINAL AREA OF SIGNALS
 - PURE TIN ON POWER CONTACTS
3. PRODUCT SPECIFICATION (CONNECTOR): GS-12-1427
4. APPLICATION SPECIFICATION: GS-20-0523
5. PACKAGING - TAPE & REEL
6. UNDER PLATING FOR CONTACTS IS 1.27µm NICKEL.
7. PRODUCT WILL WITHSTAND EXPOSURE TO 260° FOR 60 SECONDS IN A CONVECTION, INFRA RED OR VAPOUR PHASE REFLOW OVEN
8. PRODUCT WHERE THE PARTNUMBER ENDS IN LF MEETS EUROPEAN DIRECTIVES AND OTHER COUNTRY REGULATIONS AS DESCRIBED IN GS-47-0004.
9. REFER DRAWING 10140965 FOR BULKHEAD DETAILS



BULKHEAD OPENING CENTRE LINE

± 0.60
CENTERING OF THE BOARD
CONNECTOR WITH BULKHEAD
CAVITY

spec ref	-	dr	Jibin John	2017/09/26	projection	mm	size	A3	scale	1:2	
tolerance std	ISO 406 ISO 1101	eng	B T Varghese	2017/10/26			ecn no	ELX-I-28252-1			
TOLERANCES UNLESS OTHERWISE SPECIFIED		chr	-	-			rel level	Released			
surface	linear	0.X	±0.3	Amphenol FCI	product family	-	dwg no	10140949		rev	C
		0.XX	±0.10		VERIO HYBRID (SIGNAL&POWER) RA BOARD CONNECTOR						
		0.XXX	±0.050		SIGNAL & PWR PIP TERMINATION						
ISO 1302	angular	0°	±2°	cat. no.	-	Product - Customer Drw	sheet 4 of 4				

X-ON Electronics

Largest Supplier of Electrical and Electronic Components

Click to view similar products for [Power to the Board](#) category:

Click to view products by [Amphenol](#) manufacturer:

Other Similar products are found below :

[10131318-08512GRLF](#) [6450171-4](#) [6450552-7](#) [6600323-8](#) [6643429-1](#) [6646040-2](#) [6651939-1](#) [6766604-1](#) [120959-1](#) [1393557-2](#) [1393532-2](#)
[1393532-3](#) [1393532-4](#) [1393557-1](#) [1600812-5](#) [1-6450861-2](#) [1645595-1](#) [1743490-1](#) [1744132-7](#) [1761122-1](#) [1766169-1](#) [1766250-1](#) [18362](#)
[1892109-1](#) [1-967627-6](#) [2226808-1](#) [2-6450860-5](#) [2-6450860-6](#) [2-6450870-0](#) [93003-0502](#) [953552-1](#) [1-6450161-4](#) [1-6450850-6](#) [1645526-2](#) [1-](#)
[6600130-0](#) [1743419-1](#) [1766150-1](#) [2005243-2](#) [211110-1](#) [2-6600130-2](#) [TE34-12-16P-F0](#) [51700-10201602AALF](#) [5-6450830-6](#) [5646956-4](#)
[36662-0005](#) [40585-3000](#) [4-6450830-9](#) [4-6600333-3](#) [51142-0214](#) [10125416-4050LF](#)