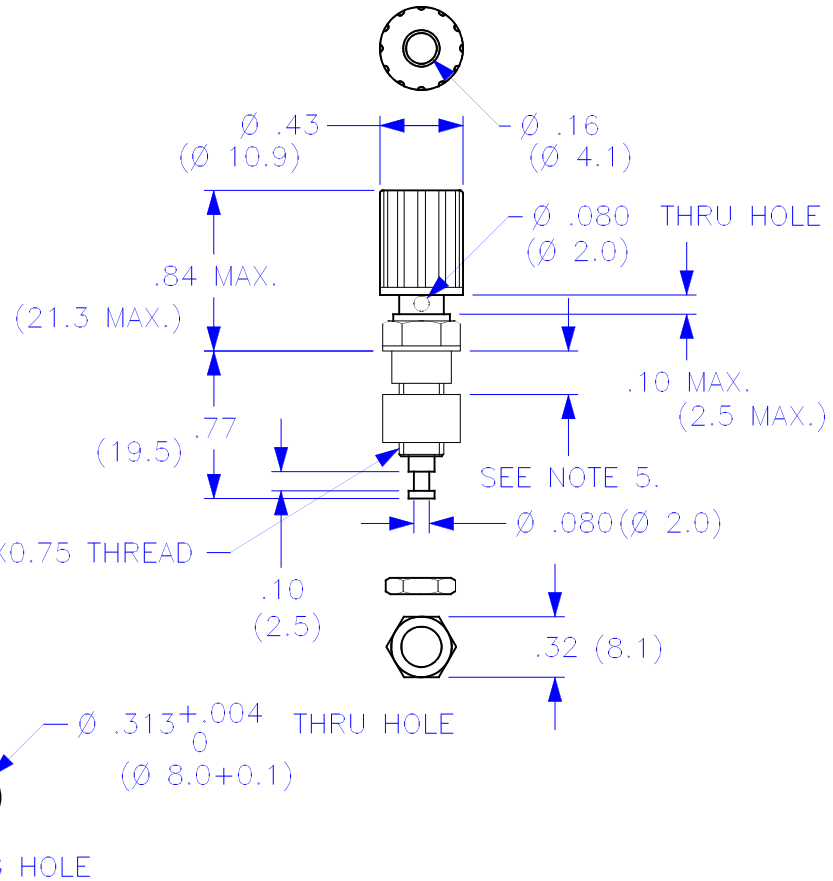


THIS IS ISSUED IN STRICT CONFIDENCE THAT IT IS NOT USED AS A BASIS FOR MANUFACTURE OR SALE AND THAT IT IS NOT COPIED, REPRINTED OR DISCLOSED TO A THIRD PARTY EITHER WHOLLY OR IN PART WITHOUT THE PRIOR WRITTEN CONSENT OF CAL TEST ELECTRONICS, INC.

| REVISIONS |                  |         |          |
|-----------|------------------|---------|----------|
| REV.      | DESCRIPTIONS     | DATE    | APPROVED |
| -         | CLASS A RELEASED | 7/11/99 |          |

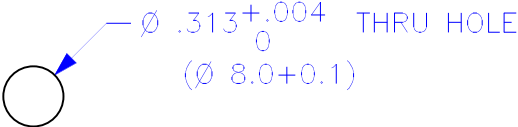
- 4mm INSULATED BINDING POST, SOLDER TURRET
- SPECIFICATIONS:  
INSULATOR: POLYAMIDE (NYLON)  
JACK BODY: BRASS, NICKEL PLATED  
NUT: BRASS, NICKEL PLATED, 2 PIECES
- RATING:  
VOLTAGE: 1,200V AC/DC  
CURRENT: 36A MAX.  
TEMPERATURE: -20° C TO +80° C.
- MOUNTING HOLE: REFERENCE DIAGRAM.
- MAXIMUM PANEL THICKNESS: .20 (5.1)



**PART NUMBER**

CT2232-#

- COLOR:
- 0 - BLACK
  - 2 - RED
  - 4 - YELLOW
  - 5 - GREEN
  - 6 - BLUE
  - 9 - WHITE



MOUNTING HOLE

|                               |  |  |  |                        |  |                             |  |  |  |
|-------------------------------|--|--|--|------------------------|--|-----------------------------|--|--|--|
| <b>THIRD ANGLE PROJECTION</b> |  | <b>UNLESS OTHERWISE SPECIFIED DIMENSIONS ARE IN INCHES TOLERANCES ARE:</b>                               |  | <b>CONTRACT NO.</b>    |  | <b>Cal Test Electronics</b> |  | 22820 Savi Ranch Parkway<br>Yorba Linda, CA 92887-4610 |  |
|                               |  | <b>FRACTIONS</b><br>± 1/32<br><b>DECIMALS</b><br>.XX ± .02<br>.XXX ± .005<br><b>DO NOT SCALE DRAWING</b> |  | <b>APPROVALS</b>       |  | <b>DATE</b>                 |  | <b>TITLE</b>   |  |
|                               |  |  |  | DRAWN WDH              |  | 7/11/99                     |  | 4mm INSULATED BINDING POST,<br>SOLDER TURRET           |  |
|                               |  | <b>MATERIAL</b>  |  | <b>CHECKED</b>         |  | <b>ENGR.</b>                |  | <b>SIZE</b>  |  |
|                               |  | <b>FINISH</b>  |  | <b>DESIGN ACTIVITY</b> |  | <b>SIZE</b><br><b>A</b>     |  | <b>CAGE CODE</b><br><b>43F45</b>                       |  |
| <b>NEXT ASSY</b>              |  | <b>USED ON</b>   |  |                        |  | <b>SCALE</b><br>1:1         |  | <b>DWG. NO.</b><br>P223200                             |  |
| <b>APPLICATION</b>            |  |  |  |                        |  |                             |  | <b>REV.</b><br>-                                       |  |
|                               |  |  |  |                        |  |                             |  | <b>SHEET</b><br>1 OF 1                                 |  |

## X-ON Electronics

Largest Supplier of Electrical and Electronic Components

*Click to view similar products for [Test Plugs & Test Jacks](#) category:*

*Click to view products by [Cal Test](#) manufacturer:*

Other Similar products are found below :

[579-0400](#) [66000-7](#) [R644543000](#) [R921923000](#) [R921930000](#) [R941344000](#) [R948161000](#) [R999351000](#) [1408-4](#) [1533-1](#) [174-R825B-EX](#)  
[NYS508-BU](#) [1680](#) [174-R819B-EX](#) [R644543003](#) [R644543004](#) [R644543020](#) [R644543021](#) [R921926000](#) [R921931000](#) [R921932000](#)  
[R921934000](#) [R929991000](#) [R941460000](#) [R941461000](#) [R941463600](#) [R941920600](#) [R948160000](#) [31B-2-RED](#) [032-0016-023](#) [105-1106-001](#)  
[108-1000-106](#) [108-2301-621](#) [66001-9](#) [7013](#) [1395080-1](#) [930166100](#) [NYS508-W](#) [NYS508-Y](#) [NYS511-R](#) [BP30-2BR10-B PKG](#) [BP30-10-WT](#)  
[BP30-2BR-B PKG](#) [BP30Y-1 PKG](#) [R941049000](#) [R941340000](#) [R948141029](#) [R921922000](#) [R644543022](#) [R948142000](#)