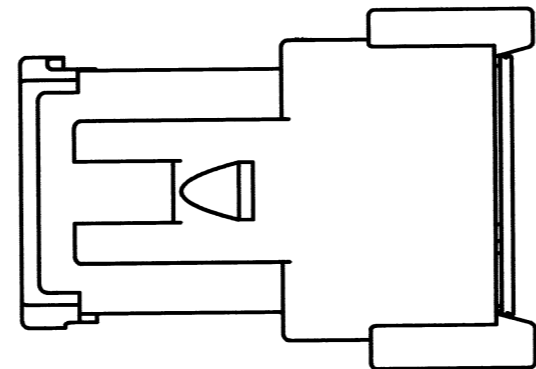
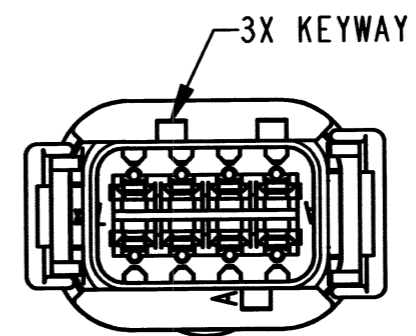
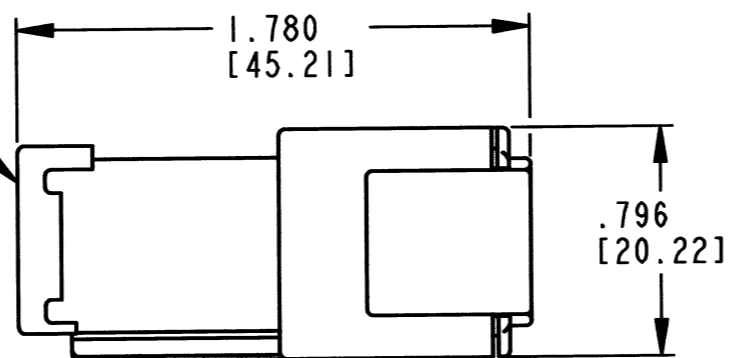
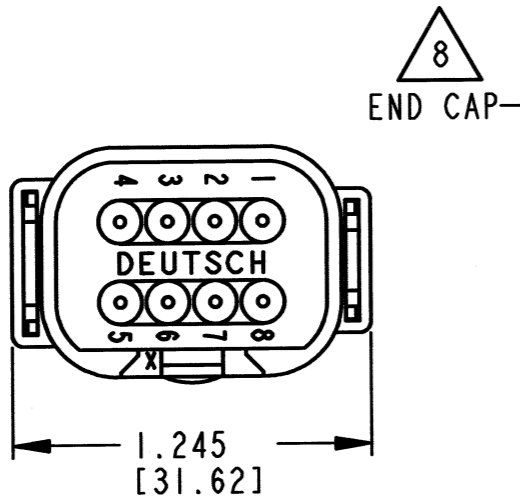
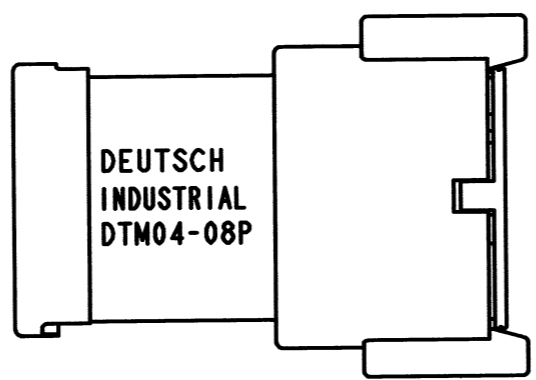
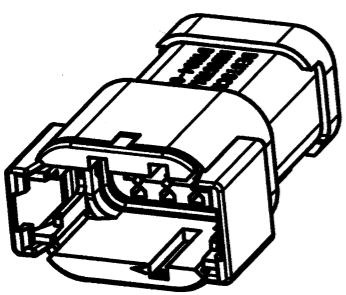


| | | | | | |
|-----|-----------------|-----------|-----------------------------|---------|----------|
| REV | DTM04-08P*-E005 | REVISIONS | | | |
| NC | | SYM | DESCRIPTION | DATE | APPROVED |
| | | NC | NEW RELEASE PER E.O. P20764 | 1-10-11 | RDR |
| | | | | | |
| | | | | | |



△ 8 PART MODIFICATION.

- 7. SEE SHEET 2 FOR OTHER KEY ARRANGEMENTS.
- 6. MATERIAL - HOUSING/END CAP: PLASTIC; GROMMET: RUBBER.
- 5. THIS RECEPTACLE MATES WITH DTM06-08S*-**** PLUG.
(* = A,B,C,D KEYS; **** = ALL MODIFICATIONS)

△ 4 FOR CONTACT AND WIRE PERFORMANCE AND APPLICATION CHARACTERISTICS SEE ENVELOPE DRAWING 0425-015-0000.

- 3. SECONDARY WEDGE LOCK SOLD SEPARATELY: WM-8P.
- 2. DIMENSION TOLERANCE: ±.025 [.64].
- 1. DIMENSIONS ARE IN INCHES [mm].


NOTES: UNLESS OTHERWISE SPECIFIED

| CONTACT SIZE | MIN. INSUL. O.D. | MAX. INSUL. O.D. | WIRE RANGE [mm ²] REF ONLY |
|--------------|------------------|------------------|--|
| 20 | .053 [1.35] | .120 [3.05] | 16-20 AWG [1.0-0.5] |

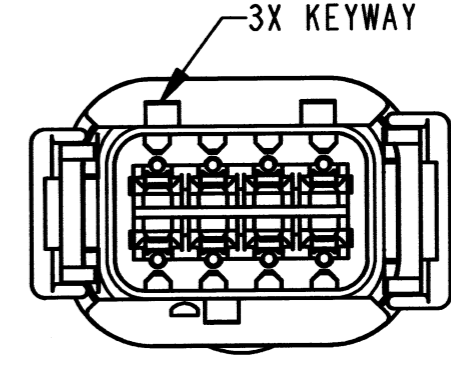
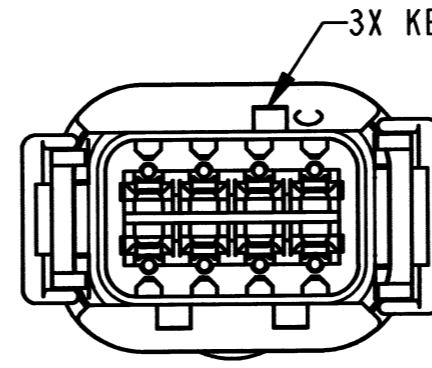
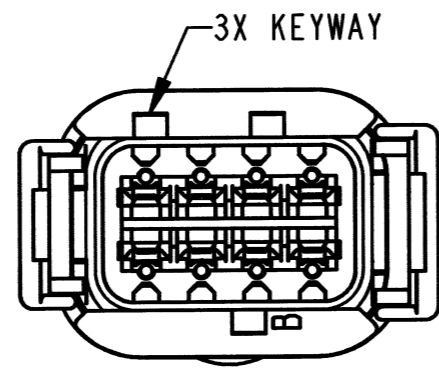
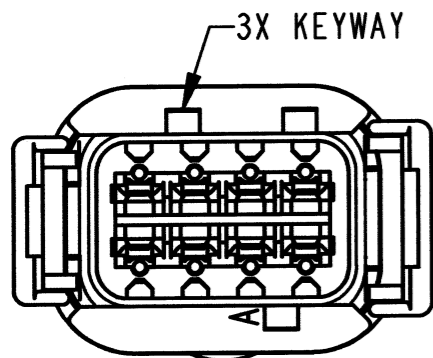
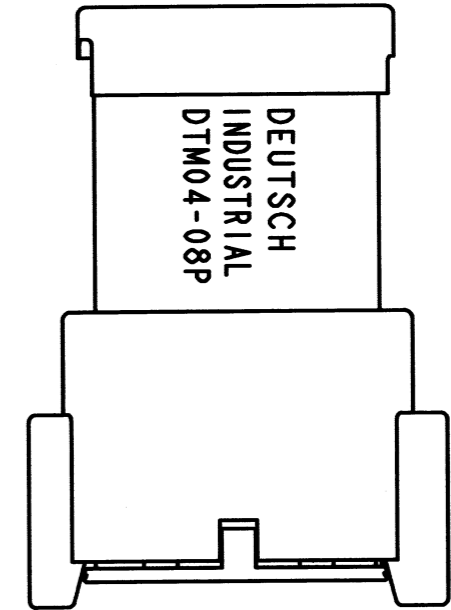
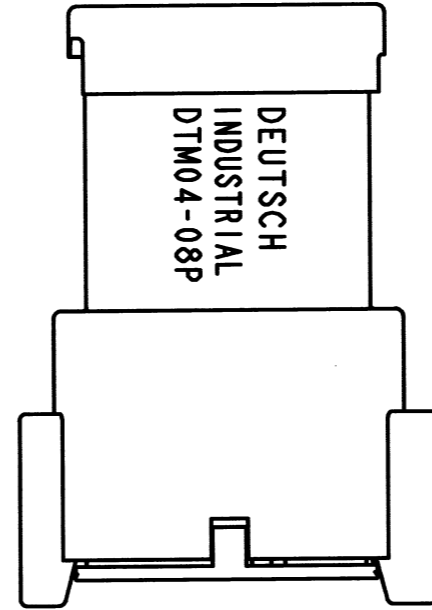
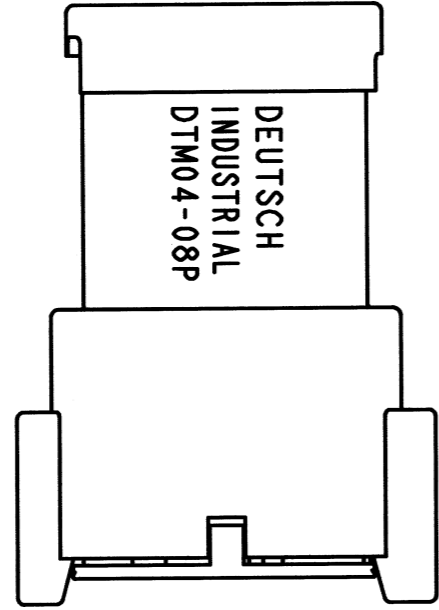
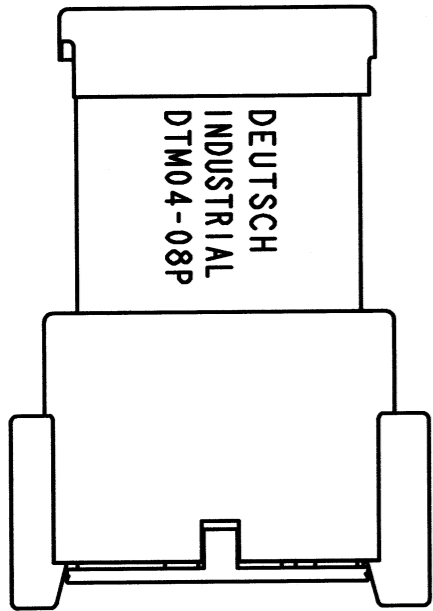
| | |
|-------|----------------------|
| | SIGNATURE & DATE |
| DR | A. MALAGON 06 JAN 11 |
| CHK | B. Byford 1/10/2011 |
| PE | R. Malagon 1/7/11 |
| APPD | S. Banel 1/7/11 |
| SCALE | NONE |
| WT | |

RECEPTACLE W/END CAP
8 CONTACTS, SIZE 20
A, B, C, D KEYS
COLOR: BLACK
-E005 MOD
DTM SERIES

ENVELOPE

| | |
|---|-------------------------|
| EP | MATL. CODE |
|  3850 INDUSTRIAL AVE. HEMET, CA 92545 | |
| DEUTSCH INDUSTRIAL | |
| B DTM04-08P*-E005 | |
| DWG SIZE | CODE 11139 SHEET 1 OF 2 |

| | | | | | |
|-----------|-----------------|-----------|-------------|---------|----------|
| REV NC | DTM04-08P*-E005 | REVISIONS | | | |
| | | SYM | DESCRIPTION | DATE | APPROVED |
| | | NC | SEE SHEET 1 | 1-10-11 | RDE |
| | | | | | |
| | | | | | |



DTM04-08PA-E005
KEY -A-

DTM04-08PB-E005
KEY -B-

DTM04-08PC-E005
KEY -C-

DTM04-08PD-E005
KEY -D-

NOTES:

| | | | | |
|------------------|----------------------|--|---|------------|
| SIGNATURE & DATE | | RECEPTACLE W/END CAP 8 CONTACTS, SIZE 20 A,B,C,D KEYS COLOR: BLACK -E005 MOD DTM SERIES | EP | MATL. CODE |
| DR | A. MALAGON 06 JAN 11 | | 3850 INDUSTRIAL AVE. HEMET, CA 92545 | |
| CHK | B. Byford 1/10/2011 | | DEUTSCH INDUSTRIAL | |
| PE | R. Malagon 1/7/11 | | B DTM04-08P*-E005 | |
| APPD | S. Beard 1/2/11 | | DWG SIZE | CODE 11139 |
| SCALE | NONE | WT | ENVELOPE | |

X-ON Electronics

Largest Supplier of Electrical and Electronic Components

Click to view similar products for [Automotive Connectors](#) category:

Click to view products by [TE Connectivity](#) manufacturer:

Other Similar products are found below :

[003-018-000](#) [600858](#) [60403001](#) [60993906-B](#) [60993913-B](#) [629515004020001](#) [M902-2131](#) [M902-2161](#) [M902-2344](#) [72.330.1035.1](#)
[73.353.4028.0](#) [F118010](#) [F119300-B](#) [F132210](#) [F132210-B](#) [F166900](#) [F180100](#) [F258300](#) [F258300-B](#) [F294300-B](#) [F339100](#) [F339700](#) [F358300-](#)
[B](#) [F374110](#) [F407400](#) [F412210](#) [F427600](#) [F444110](#) [F487000](#) [F495100-B](#) [F500900-B](#) [F509500B-B](#) [770444-1](#) [776880-1](#) [827153-1](#) [881735-1](#)
[8N1515-32-24P](#) [9-1326727-8](#) [9-1326729-8](#) [925467-1](#) [925474-1](#) [928905-1](#) [936398-2](#) [964562-1](#) [964562-4](#) [964731-2](#) [965051-1](#) [968782-1](#)
[GT17SA-8DS-HU](#) [GT17VS-10DP-5.2CF](#)