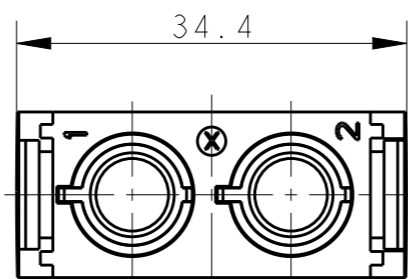
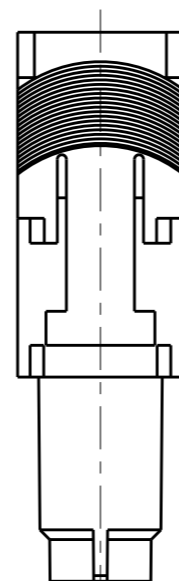
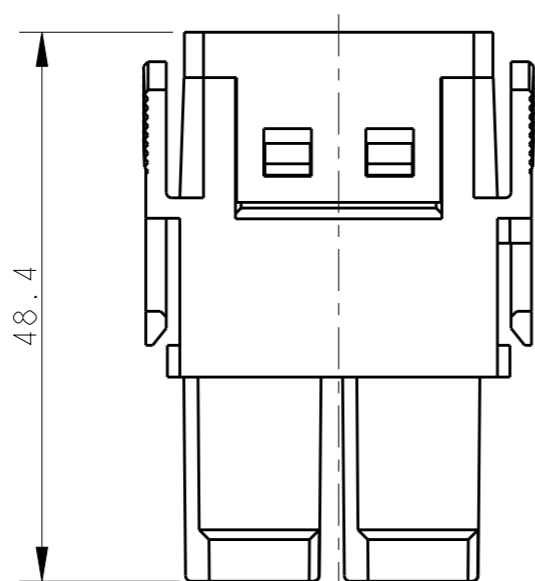
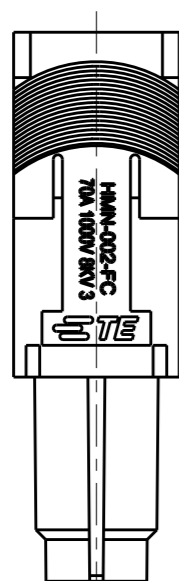
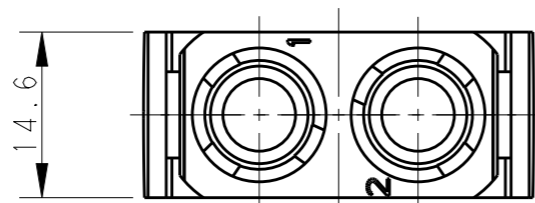
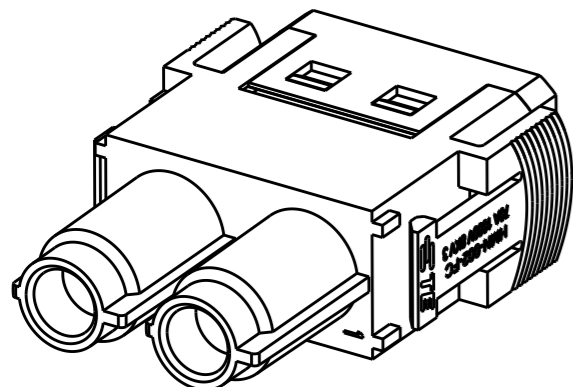


REVISIONS

| P | LTR | DESCRIPTION | DATE      | DWN | APVD |
|---|-----|-------------|-----------|-----|------|
|   | B   | INITIAL     | 18SEP2017 | YC  | CW   |
|   |     |             |           |     |      |
|   |     |             |           |     |      |



NOTES:

- TECHNICAL CHARACTERISTICS:  
 INSULATION MATERIAL: PC  
 RATED VOLTAGE: 1000V  
 RATED CURRENT: 70A  
 INSULATION RESISTANCE:  $\geq 400M\Omega$   
 RATED IMPULSE VOLTAGE: 8KV  
 POLLUTION DEGREE: 3  
 FLAMMABILITY: UL94V-0  
 MATING CYCLES: 500 CYCLES  
 WIRE RANGE: 10~25 mm<sup>2</sup>  
 CONTACT TYPE: CRIMP CONTACT
- CONTACT NEED TO BE ORDERED SEPARATELY.  
 (ORDER No. REFER TO DRAWING:T2400002XX0000)

注释:

- 技术参数:  
 绝缘材料: PC  
 额定电压: 1000V  
 额定电流: 70A  
 绝缘电阻:  $\geq 400M\Omega$   
 额定脉冲电压: 8KV  
 污染等级: 3  
 阻燃等级: UL94V-0  
 插拔次数: 500次  
 接线范围: 10~25 mm<sup>2</sup>  
 接线类型: 冷压接
- 端子需要单独订购。  
 (订货号参考图面: T2400002XX0000)

|                   |                        |   |
|-------------------|------------------------|---|
| T2111020201-007   | HMN-002-FC             | HMN-002 FEMALE MODULE INSERT, CRIMP<br>HMN-002 冷压模块母插 |
| PART NUMBER<br>料号 | PART DESCRIPTION<br>描述 |   |

|  |  |  |           |                              |
|--|--|--|-----------|------------------------------|
| THIS DRAWING IS A CONTROLLED DOCUMENT. |  | DWN 18SEP2017<br>YORK CHEN             |           |                              |
|  |  | CHK 18SEP2017<br>GINO YAO              |           |                              |
|  |  | APVD 18SEP2017<br>CHRIS WANG           |           |                              |
|  |  | PRODUCT SPEC<br>108-137059             |           |                              |
| DIMENSIONS:<br>mm                      |  | TOLERANCES UNLESS OTHERWISE SPECIFIED: |           | NAME<br>HMN-002-FC           |
|  |  | 0 PLC ±-                               | 1 PLC ±-  | SIZE<br>A3                   |
|  |  | 2 PLC ±-                               | 3 PLC ±-  | CAGE CODE<br>00779           |
|  |  | 4 PLC ±-                               | ANGLES ±- | DRAWING NO<br>T2111020201007 |
| MATERIAL<br>-                          |  | FINISH<br>-                            |           | RESTRICTED TO<br>-           |
|  |  | CUSTOMER DRAWING                       |           | SCALE<br>3:2                 |
|  |  |  |           | SHEET<br>1 OF 1              |
|  |  |  |           | REV<br>B                     |

## X-ON Electronics

Largest Supplier of Electrical and Electronic Components

*Click to view similar products for [Automotive Connectors](#) category:*

*Click to view products by [TE Connectivity](#) manufacturer:*

Other Similar products are found below :

[003-018-000](#) [600858](#) [60403001](#) [60993906-B](#) [60993913-B](#) [629515004020001](#) [M902-2131](#) [M902-2161](#) [M902-2344](#) [72.330.1035.1](#)  
[73.353.4028.0](#) [F118010](#) [F119300-B](#) [F132210](#) [F132210-B](#) [F166900](#) [F180100](#) [F258300](#) [F258300-B](#) [F294300-B](#) [F339100](#) [F339700](#) [F358300-](#)  
[B](#) [F374110](#) [F407400](#) [F412210](#) [F427600](#) [F444110](#) [F487000](#) [F495100-B](#) [F500900-B](#) [F509500B-B](#) [770444-1](#) [776880-1](#) [827153-1](#) [881735-1](#)  
[8N1515-32-24P](#) [9-1326729-8](#) [925467-1](#) [925474-1](#) [928905-1](#) [936398-2](#) [964562-1](#) [964562-4](#) [964731-2](#) [965051-1](#) [968782-1](#) [GT17SA-8DS-](#)  
[HU](#) [GT17VS-10DP-5.2CF](#) [98315-0001](#)