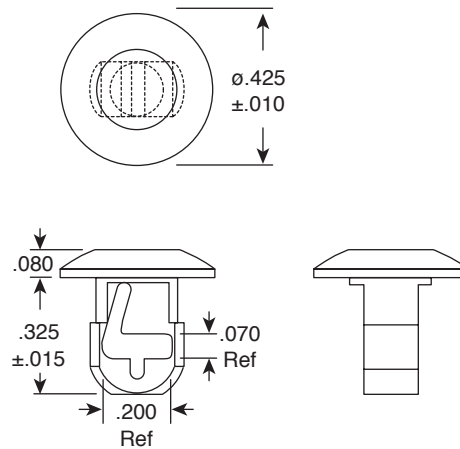


Dimensions: in.



Flat tie holder for use when both sides of the panel are accessible.

Part Number	Panel Hole Diameter	Panel Thickness
561-TA250125	.250"	.125"

X-ON Electronics

Authorized Distributor

Click to view similar products for [Cable Ties](#) category:

[MBH-MR316](#) [MBH-TLR316](#) [MBS-MR](#) [MBS-MR316](#) [MBS-TLR316](#) [PPC25X50F](#)

[MSCNW63T15-QR6](#) [K-205](#) [K-504](#) [KP-509](#)