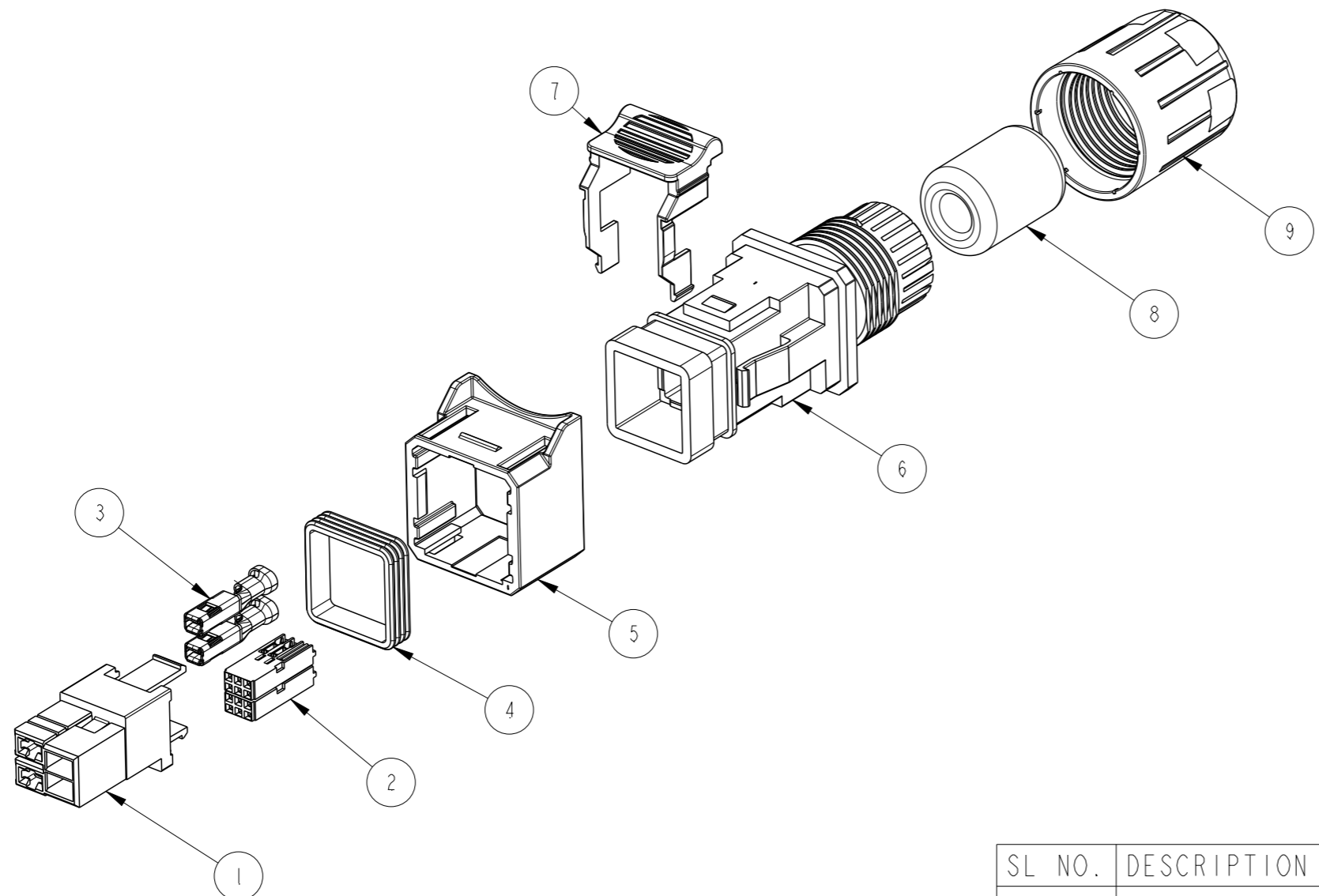
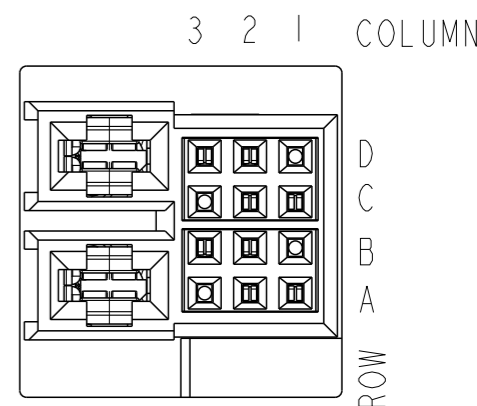


PART NUMBER  
SEE TABLE IN SHEET 2

VERIO PLUG KIT ,HYBRID-8,10,12 POS SIGNAL+2 POS POWER, FIELD  
TERMINABLE, PITCH 26 MM



CONNECTOR FRONT VIEW



SL NO.	DESCRIPTION	MATERIAL	QTY	REMARKS
1	HOUSING-COMBO	PBT	1	
2	TERMINAL BLOCK ASSEMBLY	PBT+COPPER ALLOY	2	
3	FEMALE POWER CONTACTS	COPPER ALLOY	2	
4	SEAL	SILICON	1	
5	SLIDE	PBT GF	1	
6	HOLDER	PBT GF	1	
7	SECONDARY LOCK	PBT GF	1	
8	GLAND	SILICON	1	
9	NUT	PBT GF	1	

spec ref		dr	Jibin John	2017/09/26	projection	mm	size	A3	scale	3:10	
tolerance std		eng	B T Varghese	2017/10/26			ecn no	ELX-I-28272-1			
ISO 406		chr	-	-	product family	VERIO	rel level	Released			
ISO 1101		appr	K-Paul Bijju	2017/10/26			rel level	Released			
surface	linear	0.X	±0.3	Amphenol FCi	HYBRID-SIGNAL+PWR VERIO PLUG KIT	cat. no.	-	Product - Customer Drw	sheet 1 of 2	rev	B
		0.XX	±0.13								
0.XXX	±0.05										
ISO 1302	angular	0°	±2°								

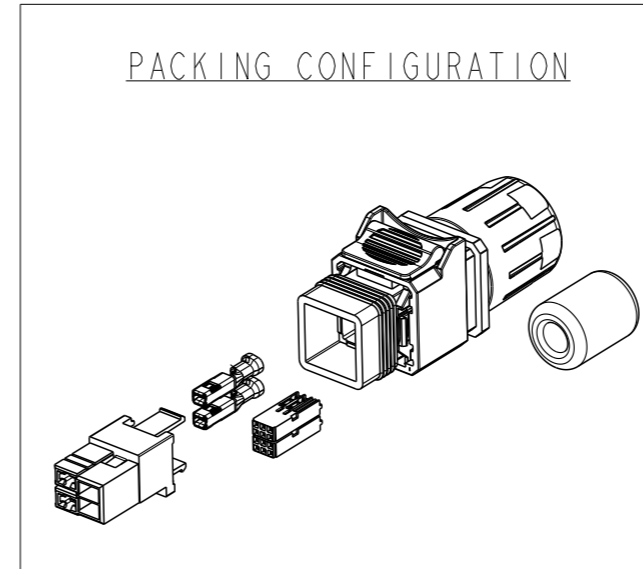
Amphenol  
FCi

© 2016 AFCI

A

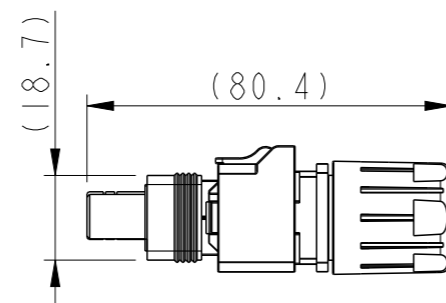
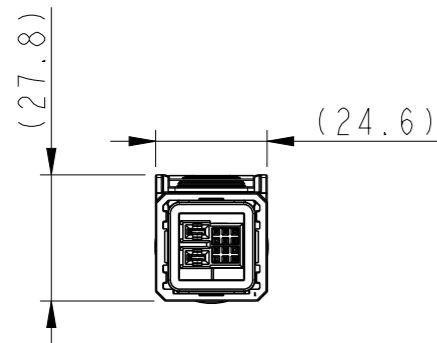
B

AFCI PART NO	ROW	COLUMN 3	COLUMN 2	COLUMN 1
10143485-101LF	D	x	x	-
	C	-	x	x
	B	x	x	-
	A	-	x	x
10143485-102LF	D	x	x	x
	C	-	x	x
	B	x	x	x
	A	-	x	x
10143485-103LF	D	x	x	x
	C	x	x	x
	B	x	x	x
	A	x	x	x



NOTES:

- 1. ALL PARTS WILL BE SUPPLIED IN BULK PACKING
- 2. PRODUCT SPEC - GS-12-1427
- 3. APPLICATION SPEC - GS-20-0523



Amphenol FCI

© 2016 AFCI

D

spec ref		dr	Jibin John	2017/09/26	projection	mm	size	A3	scale	3:10
tolerance std		eng	B T Varghese	2017/10/26			ecn no	ELX-I-28272-1	rel level	Released
ISO 406 ISO 1101		chr	-	-						
surface		TOLERANCES UNLESS OTHERWISE SPECIFIED		Amphenol FCI		HYBRID-SIGNAL+PWR		dwg no		10143485
ISO 1302		linear	0.X	±0.3	VERIO PLUG KIT		cat. no.		-	Product - Customer Drw
		angular	0°	±2°			sheet 2 of 2		rev	
							STATUS:Released		Printed: Oct 27, 2017	

## X-ON Electronics

Largest Supplier of Electrical and Electronic Components

*Click to view similar products for [Heavy Duty Power Connectors](#) category:*

*Click to view products by [Amphenol](#) manufacturer:*

Other Similar products are found below :

[1424439](#) [1424438](#) [09330062652](#) [2-8675P1](#) [605601-1](#) [6340G1](#) [6341G1](#) [6360G1](#) [6373G1](#) [6374g2](#) [6396G1](#) [647757-1](#) [66394-4](#) [6643411-1](#)  
[6646058-2](#) [6646137-1](#) [6646138-1](#) [6646348-1](#) [6646479-1](#) [6646608-1](#) [6646786-1](#) [6646940-1](#) [6651091-1](#) [6651525-1](#) [6651529-1](#) [6651778-1](#)  
[6651788-1](#) [696465-1](#) [696475-1](#) [73000005059](#) [73000005349](#) [73000005642](#) [73080255059](#) [73080965046](#) [765-15-0080A](#) [765-16-0080B](#)  
[789.700-44](#) [789.700-54](#) [80-1010](#) [80-9](#) [827381-1](#) [829992-1](#) [902-77-02113](#) [PL00U-301-10D10](#) [PM103MOOLOO](#) [PM16S1620S32-50](#)  
[PM212MOOLOO](#) [PM309FOOLOO](#) [PM324FOOLCH](#) [PMHPAF11S03](#)