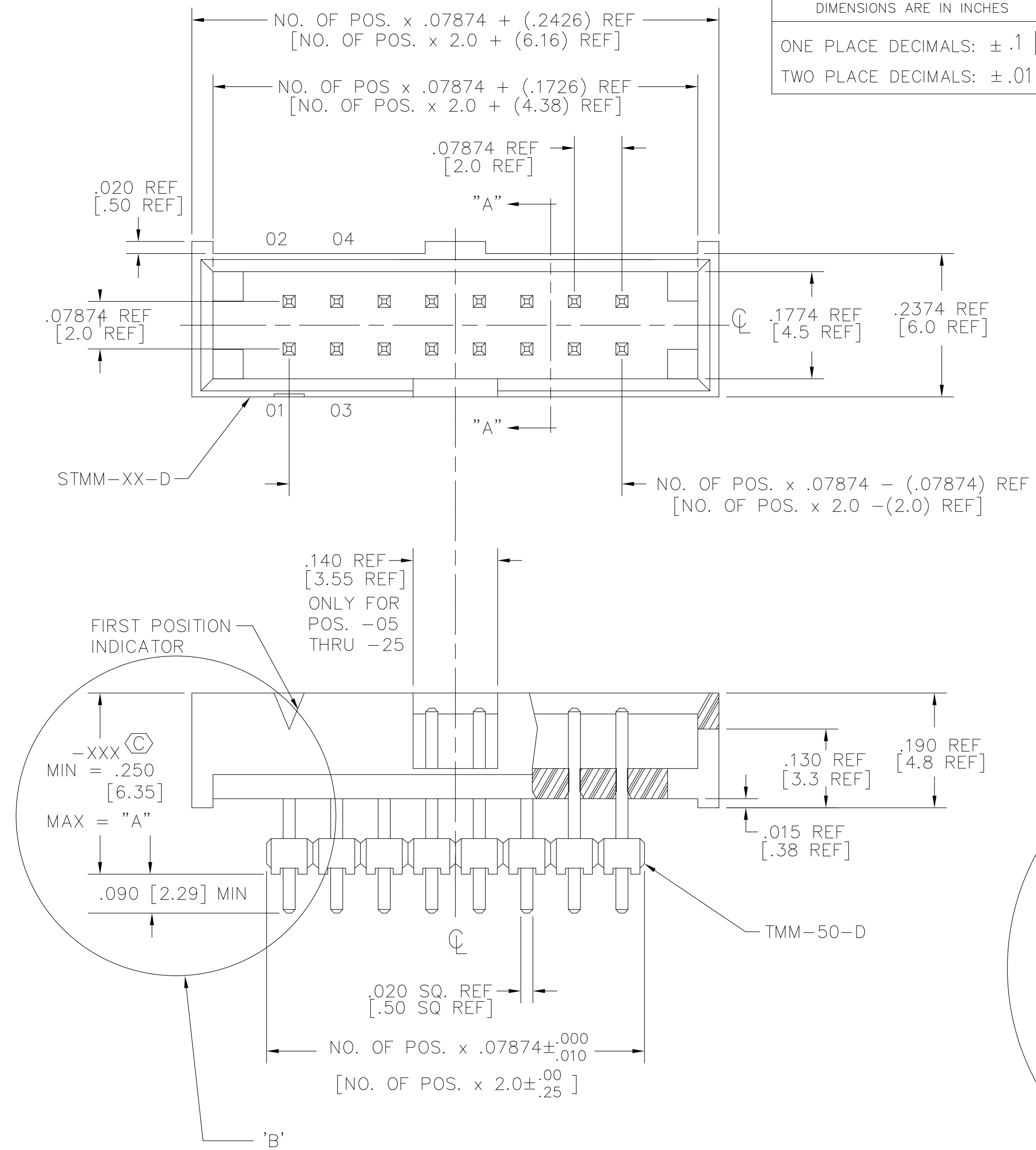


DO NOT SCALE FROM THIS PRINT

UNLESS OTHERWISE NOTED TOLERANCES ARE:  
 DIMENSIONS ARE IN INCHES  
 ONE PLACE DECIMALS: ± .1 [3] THREE PLACE DECIMALS: ± .005 [.13] ANGLES ± 1°  
 TWO PLACE DECIMALS: ± .01 [.3] FOUR PLACE DECIMALS: ± .0020 [.051]

TITLE: ZSTMM ASSEMBLY  
 DWG NO: ZSTMM-1XX-XX-XX-D-XXX-XX  
 SHEET 1 OF 2



ZSTMM-1XX-XX-XX-D-XXX-XX

NO. OF POSITIONS: 03, 04, 05, 06, 07, 08, 10, 11, 12, 13, 15, 16, 17, 19, 20, 22, 25

TERMINAL STYLE: LEAD STYLES -02 THRU -55 ARE STANDARD (.100 POST HEIGHT), LEAD STYLES -62 THRU -75 ARE FOR MATING WITH TCSD ONLY (.120 [3.05] POST). (SEE TABLE 1)

PLATING SPECIFICATIONS:  
 -G: 20μ" GOLD IN CONTACT AREA, 10μ" GOLD ON TAIL  
 -T: MATTE TIN CONTACT AND TAIL  
 -S: 30μ" SELECTIVE GOLD IN CONTACT AREA, MATTE TIN ON TAIL  
 -F: 3μ" SELECTIVE GOLD IN CONTACT AREA, MATTE TIN ON TAIL  
 -H: 30μ" GOLD IN CONTACT AREA, 3μ" GOLD ON TAIL  
 -TM: MATTE TIN CONTACT AND TAIL  
 -FM: 3μ" SELECTIVE GOLD IN CONTACT AREA, MATTE TIN ON TAIL  
 -SM: 30μ" SELECTIVE GOLD IN CONTACT AREA, MATTE TIN ON TAIL  
 -L: 10μ" SELECTIVE GOLD IN CONTACT AREA, MATTE TIN ON TAIL

POLARIZED OPTION: XX = PIN NO. TO BE OMITTED

BODY HEIGHT: -XXX MIN = .250 [6.35] MAX = "A" (SEE TABLE 1)

ROW SPECIFICATION: -D: DOUBLE

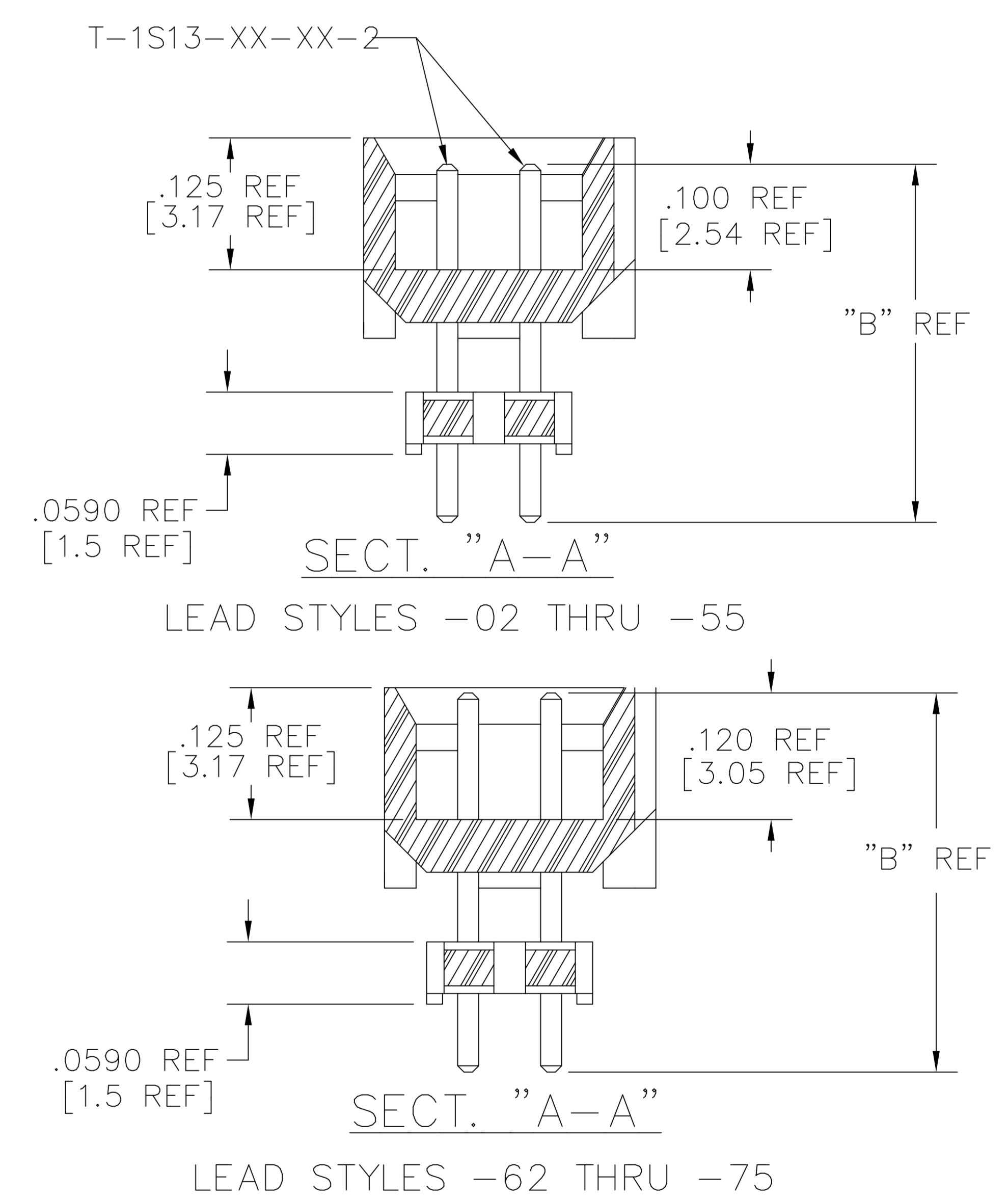
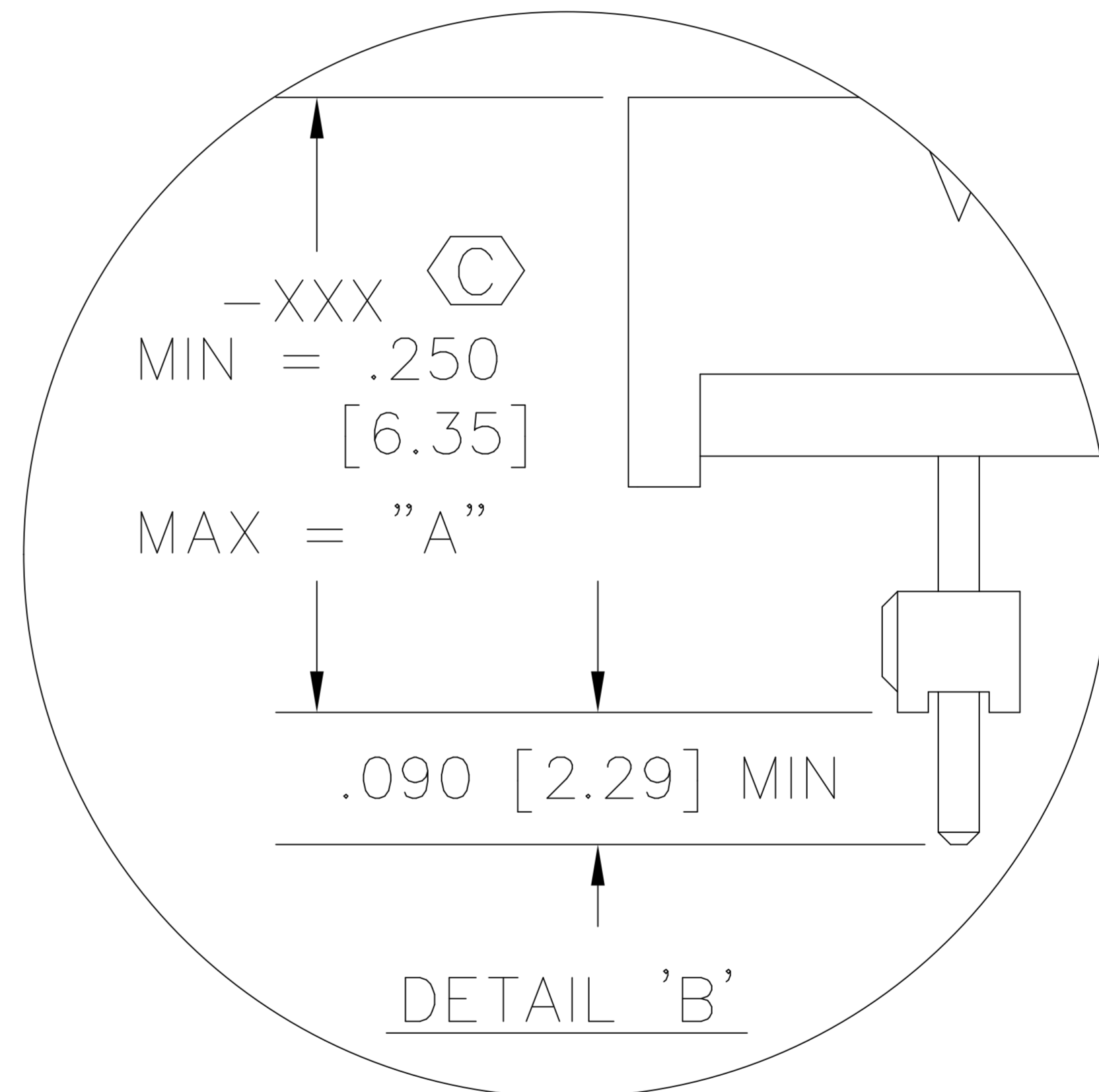
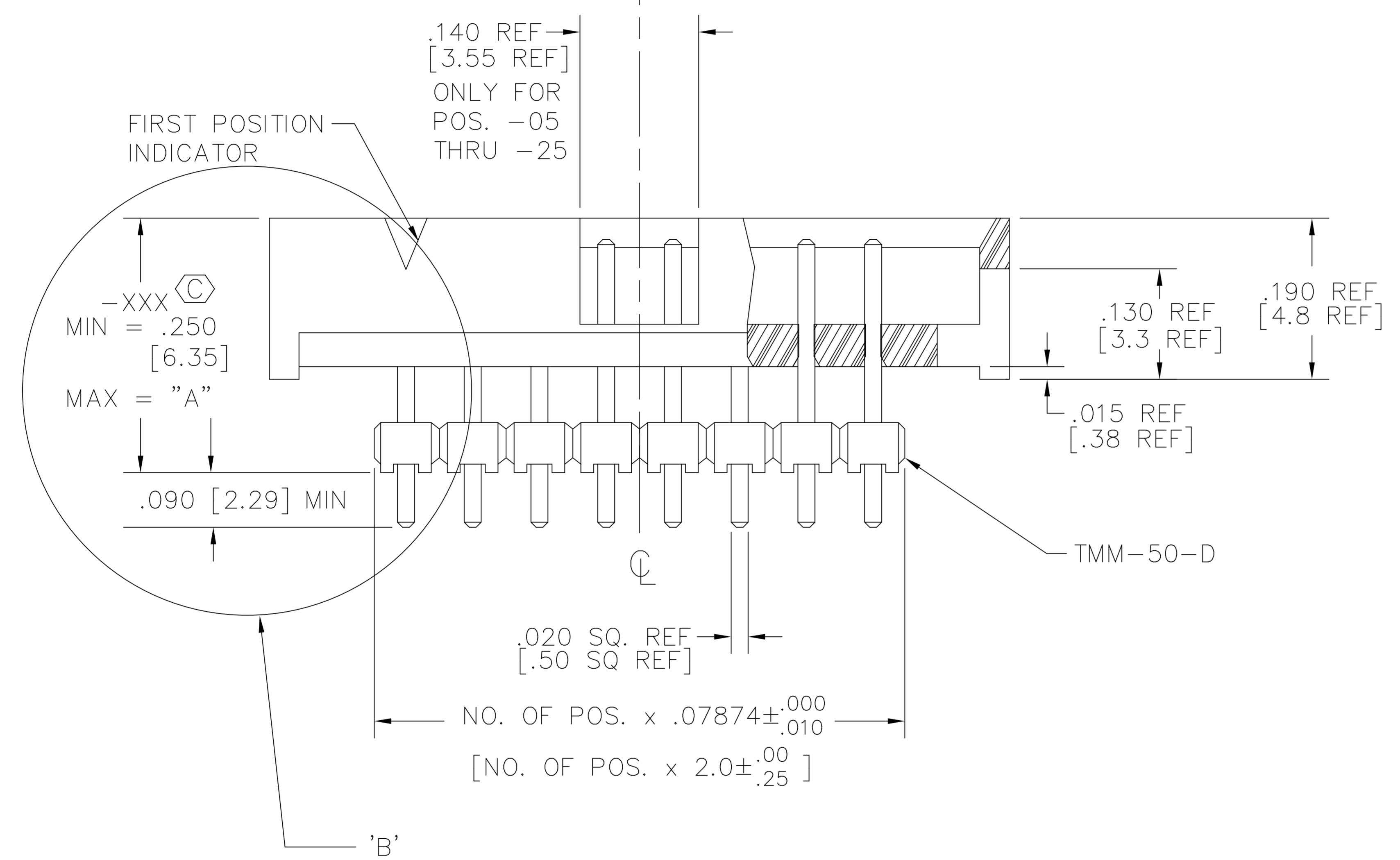


TABLE 1

LEAD STYLE	TERMINAL	"A"	"B"	LEAD STYLE	TERMINAL	"A"	"B"
-02	T-1S13-02-XX-2	.312 [7.92]	.377 [9.58]	-62	T-1S13-05-XX-2	.312 [7.92]	.397 [10.08]
-03	T-1S13-03-XX-2	.470 [11.94]	.535 [13.59]	-63	T-1S13-06-XX-2	.470 [11.94]	.555 [14.10]
-05	T-1S13-05-XX-2	.332 [8.43]	.397 [10.08]	-65	T-1S13-19-XX-2	.328 [8.33]	.413 [10.49]
-06	T-1S13-06-XX-2	.490 [12.45]	.555 [14.1]	-66	T-1S13-09-XX-2	.509 [12.93]	.594 [15.09]
-55	T-1S13-20-XX-2	.258 [6.55]	.323 [8.2]	-69	T-1S13-14-XX-2	.529 [13.44]	.614 [15.60]
-09	T-1S13-09-XX-2	.529 [13.4]	.594 [15.1]	-70	T-1S13-17-XX-2	.608 [15.44]	.693 [17.60]
-10	T-1S13-10-XX-2	.608 [15.4]	.673 [17.1]	-71	T-1S13-12-XX-2	.745 [18.92]	.830 [21.08]
-11	T-1S13-11-XX-2	.686 [17.4]	.751 [19.1]	-72	T-1S13-18-XX-2	.766 [19.45]	.851 [21.62]
-12	T-1S13-12-XX-2	.765 [19.4]	.830 [21.1]	-73	T-1S13-08-XX-2	.391 [9.93]	.476 [12.09]
-13	T-1S13-13-XX-2	.391 [9.9]	.456 [11.6]	-74	T-1S13-10-XX-2	.588 [14.93]	.673 [17.09]
-14	T-1S13-14-XX-2	.549 [13.9]	.614 [15.6]	-75	T-1S13-02-XX-2	.292 [7.42]	.377 [9.58]

- NOTES:
1. MAX PIN ROTATION IN BODY TO BE 2°.
  2. PUSHOUT FORCE TO BE 1 lb. MIN.
  3. Ⓢ REPRESENTS CRITICAL DIMS. FOR STATISTICAL PROCESS CONTROL.
  4. ALL DIMS APPEARING IN [ ] ARE IN MILLIMETERS.
  5. INSULATOR MATERIAL: LCP, UL 94 V0
  6. FOR ADDED MECHANICAL STABILITY, SAMTEC RECOMMENDS MECHANICAL BOARD SPACERS BE USED IN APPLICATIONS WITH GOLD OR SELECTIVE GOLD PLATED CONNECTORS. CONTACT IPG@SAMTEC.COM FOR MORE INFORMATION.

**PROPRIETARY NOTE**  
 THIS DOCUMENT CONTAINS INFORMATION CONFIDENTIAL AND PROPRIETARY TO SAMTEC INC. AND SHALL NOT BE REPRODUCED OR TRANSFERRED TO OTHER DOCUMENTS OR DISCLOSED TO OTHERS OR USED FOR ANY PURPOSE OTHER THAN THAT FOR WHICH IT WAS OBTAINED WITHOUT THE EXPRESSED WRITTEN CONSENT OF SAMTEC INC.

EXISPROD\ASSEMBLY\2MM ZSTMMASM

520 PARK EAST BLVD. NEW ALBANY, INDIANA 47150  
 PHONE (812) 944-6733 P.O. BOX 1147  
 CODE 55322

MADE BY: BRYANT 7-8-92  
 CHECKED BY: ECKERT

ENGINEER APPROVAL: DEM

ZSTMM-1XX-XX-XX-D-XXX-XX  
 SHEET 1 OF 2

## X-ON Electronics

Largest Supplier of Electrical and Electronic Components

*Click to view similar products for [Headers & Wire Housings](#) category:*

*Click to view products by [Samtec](#) manufacturer:*

Other Similar products are found below :

[95000-104TRLF](#) [10135584-644402LF](#) [DF62W-EP2022PCA](#) [95000-106TRLF](#) [DF62W-2022SCA](#) [DF62W-EP2022PC](#) [2203348](#) [DF62W-2022SC](#) [1084018](#) [1029039](#) [1084017](#) [802-10-012-10-002000](#) [1112640](#) [1112639](#) [000-34000](#) [0009482033](#) [0009507031](#) [57102-S06-03LF](#) [57202-S52-04LF](#) [PCN6-15S-2.5E](#) [0039019024](#) [58102-G61-06LF](#) [582553-1](#) [0009485154](#) [0009508121](#) [0022285053](#) [0050291907](#) [018731A](#) [LY20-4P-DT1-P1E-BR](#) [02.125.8002.8](#) [60101931](#) [60598-1 \(Cut Strip\)](#) [M1625-3R/100](#) [61062-3](#) [61082-181009](#) [636-1427](#) [638009-1](#) [641938-9](#) [641991-4](#) [644168-1](#) [647662-1](#) [65039-019ELF](#) [65817-002LF](#) [65817-015LF](#) [65863-015LF](#) [66207-023LF](#) [67016-026LF](#) [67046-001LF](#) [67095-007LF](#) [67230-005LF](#)