

High Accuracy, Low Power, Waterproof Barometric Pressure and Temperature Sensor IC

GENERAL INFORMATION

The ICP-101xx pressure sensor family is based on MEMS capacitive technology which provides ultra-low noise at the lowest power, enabling industry leading relative accuracy, sensor throughput, and temperature stability. The pressure sensor can measure pressure differences with an accuracy of ± 1 Pa, an accuracy enabling altitude measurement differentials as small as 8.5 cm, less than the height of a single stair step.

Consuming only 1.3 μ A @1 Hz, available in a small footprint 2 mm x 2 mm x 0.72 mm waterproof to 1.5m depth 10-pin LGA package (ICP-10100), the ICP-101xx is ideally suited for mobile phones, wearable fitness monitoring, drones, and battery powered IoT.

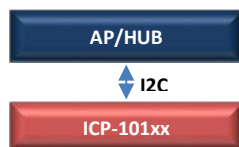
The ICP-101xx offers an industry leading temperature coefficient offset of ± 0.5 Pa/ $^{\circ}$ C. The combination of high accuracy, low power, temperature stability, waterproofing in a small footprint enables higher performance barometric pressure sensing for sports activity identification, mobile indoor/outdoor navigation, and altitude-hold in drones.

ORDERING INFORMATION

PACKAGE	3-HOLE IPx8: 1.5m WATERPROOF	1-HOLE
2x2x0.72mm LGA-10L	ICP-10100†	ICP-10101†
2x2.5x0.92mm LGA-8L	ICP-10110†	ICP-10111†

†Denotes RoHS and Green-Compliant Package

BLOCK DIAGRAMS

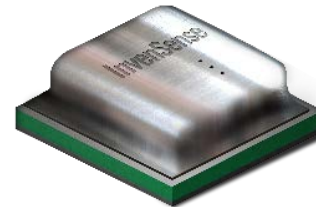


APPLICATIONS

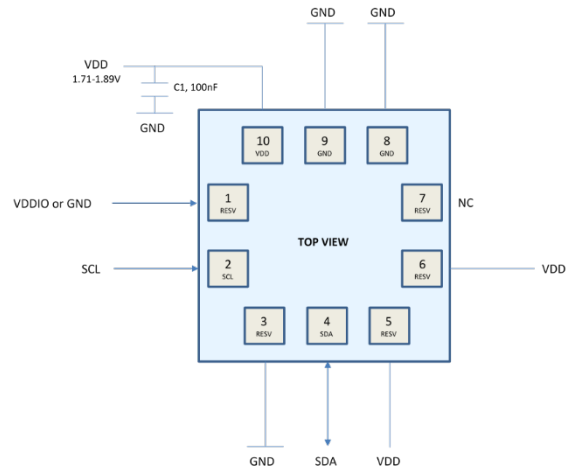
- Altitude Control of Drones and Flying Toys
- Mobile Phones
- Virtual Reality and Gaming Equipment
- Indoor/Outdoor Navigation (dead-reckoning, floor/elevator/step detection)
- Vertical velocity monitoring
- Leisure, Sports, and Fitness Activity Identification
- Weather Forecasting

FEATURES

- Pressure operating range: 30 to 110 kPa
- Noise and current consumption
 - 0.4 Pa @ 10.4 μ A (ULN mode)
 - 0.8 Pa @ 5.2 μ A (LN mode)
 - 3.2 Pa @ 1.3 μ A (LP mode)
- Pressure Sensor Relative Accuracy: ± 1 Pa for any 10 hPa change over 950 hPa-1050 hPa at 25 $^{\circ}$ C
- Pressure Sensor Absolute Accuracy: ± 1 hPa over 950 hPa-1050 hPa, 0 $^{\circ}$ C to 65 $^{\circ}$ C
- Pressure Sensor Temperature Coefficient Offset: ± 0.5 Pa/ $^{\circ}$ C over 25 $^{\circ}$ C to 45 $^{\circ}$ C at 100 kPa
- Temperature Sensor Absolute Accuracy: $\pm 0.4^{\circ}$ C
- IPx8: Waterproof to 1.5m depth (ICP-10100 & ICP-10110)
- Temperature operating range: -40 $^{\circ}$ C to 85 $^{\circ}$ C
- Host Interface: I²C at up to 400 kHz
- Single Supply voltage: 1.8V $\pm 5\%$
- RoHS and Green compliant



TYPICAL OPERATING CIRCUIT



X-ON Electronics

Largest Supplier of Electrical and Electronic Components

Click to view similar products for [Industrial Pressure Sensors](#) category:

Click to view products by [TDK InvenSense](#) manufacturer:

Other Similar products are found below :

[76053-00000400-01](#) [M83723/76R2219N](#) [D38999/20ME6BN](#) [75380-05](#) [76053-00000300-01](#) [76053-00000300-05](#) [76061-00000015-01](#)
[76062-B00000350-01](#) [76063-00000350-05](#) [76083-05000500-01](#) [76311-05](#) [76577-00000070-01](#) [76584-M00000100-24](#) [77343-24.0H2-01](#)
[77343-25.0H2-01](#) [78291-B00000060-01](#) [78303-B00000400-01](#) [78303-B00000400-05](#) [78316-B00000030-01](#) [78665-00000014-05](#) [78678-](#)
[00000040-01](#) [78928-00000040-01](#) [79279-00000060-01](#) [79296-B00000350-01](#) [79322-00250035-01](#) [79614-30.0H2-14](#) [79670-00000090-15](#)
[79700-00002750-01](#) [79917-B00000280-01](#) [80569-00700100-01](#) [81509081](#) [MLH010BST01A](#) [MLH010BST14A](#) [MLH025BGC13B](#)
[MLH025BSCDJ1292](#) [MLH025BSCDJ1303](#) [MLH750PSCDJ1245](#) [83250-02500600-05](#) [83271-00000040-04](#) [83278-B00000200-21](#) [83282-](#)
[00000100-05](#) [83286-00000150-01](#) [83298-00000120-01](#) [83299-00000150-05](#) [83303-00000600-01](#) [83305-00001350-01](#) [83330-00000100-01](#)
[83350-04.0HG-05](#) [83350-15.0H2-05](#) [83357-00000030-21](#)