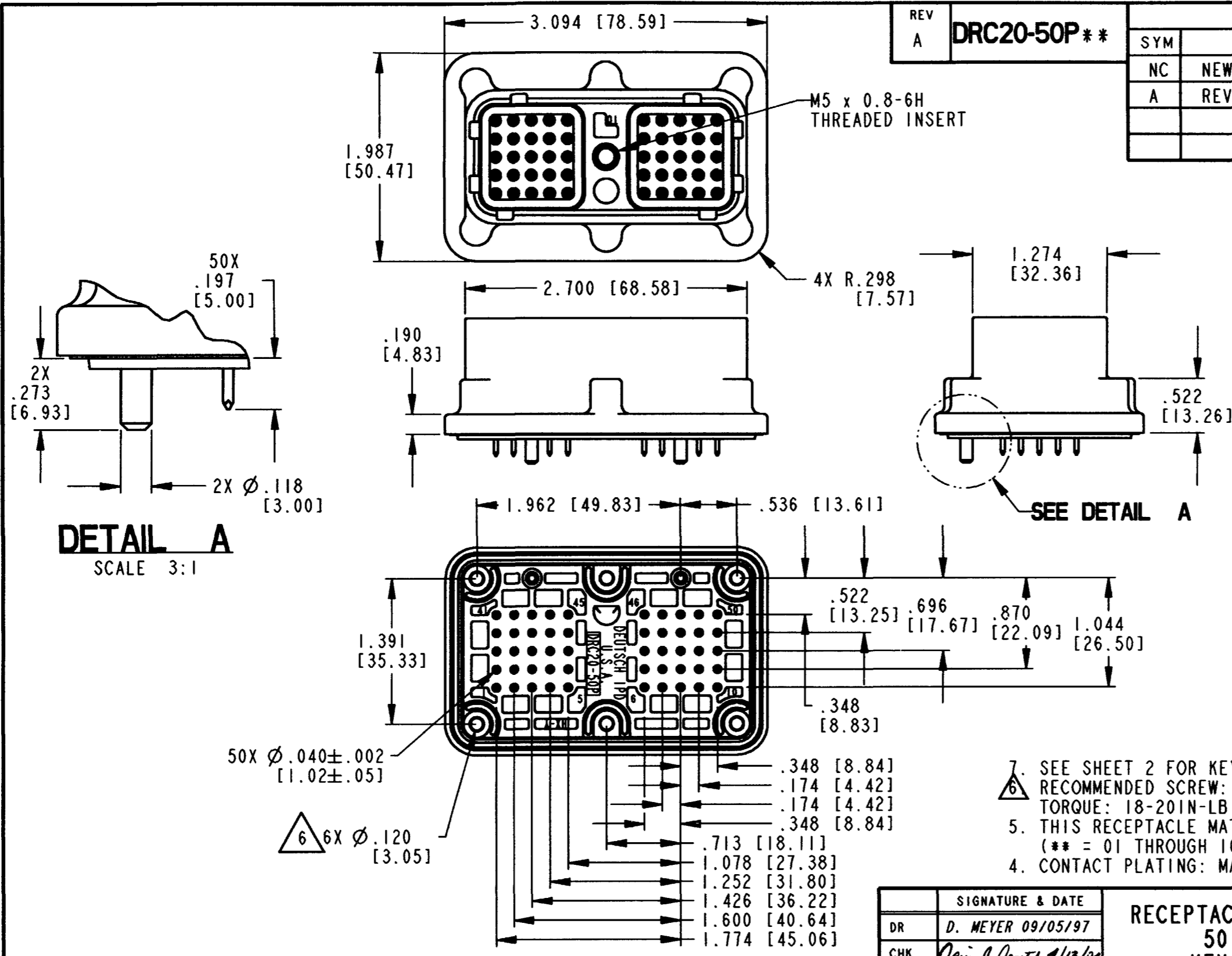


REV A
DRC20-50P**

REVISIONS			
SYM	DESCRIPTION	DATE	APPROVED
NC	NEW RELEASE PER E.O. P15419	9-15-97	RDR
A	REVISED PER E.O. P 18554	9-15-09	RDR



- SEE SHEET 2 FOR KEY ARRANGEMENTS AND RECOMMENDED PANEL CUTOUT.
- RECOMMENDED SCREW: 6-19 [M3.63x1.34] THREAD FORMING SCREW. TORQUE: 18-20IN-LB [2.03-2.26 Nm]
- THIS RECEPTACLE MATES WITH DRC26-50S**-**** PLUG. (** = 01 THROUGH 10 KEYS, **** = ALL MODIFICATIONS.)
- CONTACT PLATING: MATING SIDE - GOLD, PCB SIDE - TIN.

NOTES:
 1. DIMENSIONS ARE IN INCHES [mm].
 2. DIMENSION TOLERANCE: ±.025 [.64]; PANEL CUTOUT: ±.010 [.25].
 3. MATERIAL - PLASTIC (BLACK), INSERT - STEEL, SEALS - RUBBER.
 UNLESS OTHERWISE SPECIFIED.

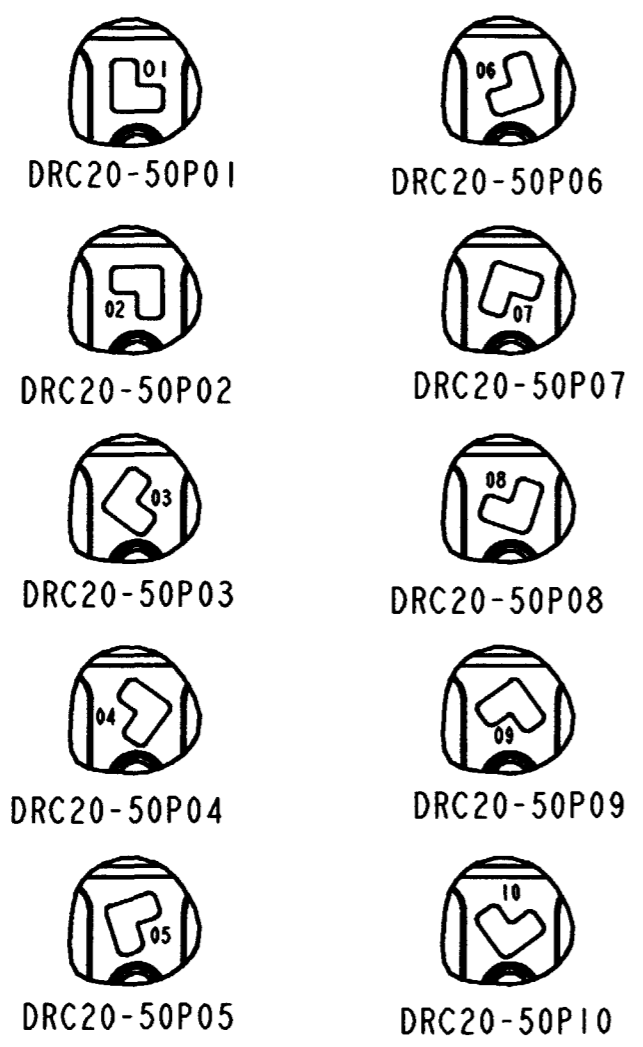
SIGNATURE & DATE	
DR	D. MEYER 09/05/97
CHK	<i>James C. Spitzer</i> 1/13/09
PE	<i>Vladimir Tomsic</i> APR-12-04
APPD	<i>D. Meyer</i> 1/12/04
SCALE	NONE

RECEPTACLE, PCB MOUNT
 50 PIN #20
 KEYING 01-10
 DRC SERIES
 ENVELOPE

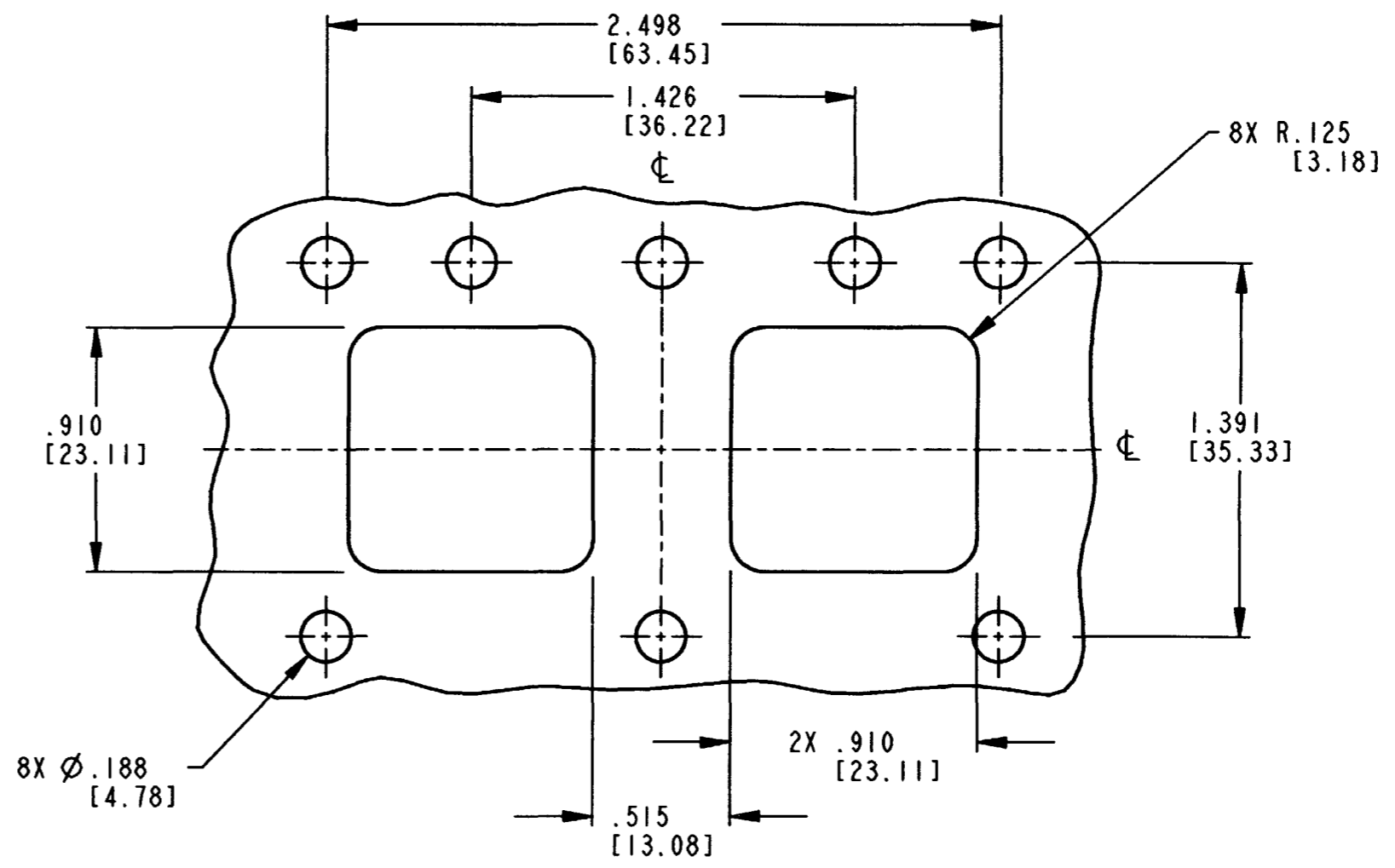
CP	MATL. CODE
The Deutsch Company DEUTSCH I.P.D. 3850 INDUSTRIAL AVE. HEMET, CALIF. 92545	
B DRC20-50P**	
DWG SIZE	CODE 11139 SHEET 1 OF 2

REV
A **DRC20-50P****

REVISIONS			
SYM	DESCRIPTION	DATE	APPROVED
	SEE SHEET 1	4-13-04	RDR



** = KEYING ARRANGEMENTS



RECOMMENDED PANEL CUTOUT

THICKNESS: .080 [2.0]

NOTES:

SIGNATURE & DATE		RECEPTACLE, PCB MOUNT 50 PIN #20 KEYING 01-10 DRC SERIES	CP	MATL. CODE	
DR	D. MEYER 09/05/97		The Deutch Company DEUTSCH I.P.D. 3850 INDUSTRIAL AVE. HEMET, CALIF. 92545		
CHK	<i>James C. Gentry 4/13/04</i>		B DRC20-50P**	DWG SIZE	CODE
PE	<i>Wladimir Tomor APR-12-04</i>			11130	SHEET 2 OF 2
APPD	<i>D. Meyer 4/12/04</i>	ENVELOPE			
SCALE	NONE				

X-ON Electronics

Largest Supplier of Electrical and Electronic Components

Click to view similar products for [Automotive Connectors](#) category:

Click to view products by [TE Connectivity](#) manufacturer:

Other Similar products are found below :

[003-018-000](#) [600858](#) [60403001](#) [60993906-B](#) [60993913-B](#) [629515004020001](#) [M902-2131](#) [M902-2161](#) [M902-2344](#) [72.330.1035.1](#)
[73.353.4028.0](#) [F118010](#) [F119300-B](#) [F132210](#) [F132210-B](#) [F166900](#) [F180100](#) [F258300](#) [F258300-B](#) [F294300-B](#) [F339100](#) [F339700](#) [F358300-](#)
[B](#) [F374110](#) [F407400](#) [F412210](#) [F427600](#) [F444110](#) [F487000](#) [F495100-B](#) [F500900-B](#) [F509500B-B](#) [770444-1](#) [776880-1](#) [827153-1](#) [881735-1](#)
[8N1515-32-24P](#) [9-1326727-8](#) [9-1326729-8](#) [925467-1](#) [925474-1](#) [928905-1](#) [936398-2](#) [964562-1](#) [964562-4](#) [964731-2](#) [965051-1](#) [968782-1](#)
[GT17SA-8DS-HU](#) [GT17VS-10DP-5.2CF](#)