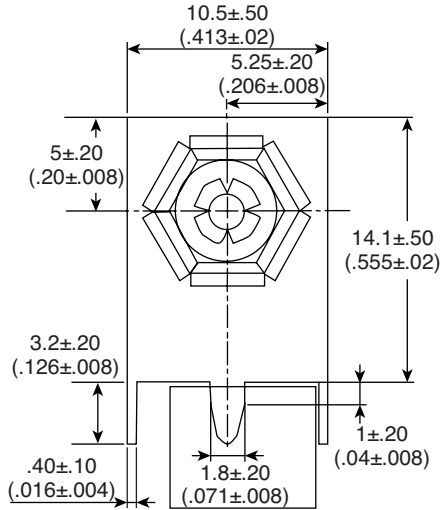
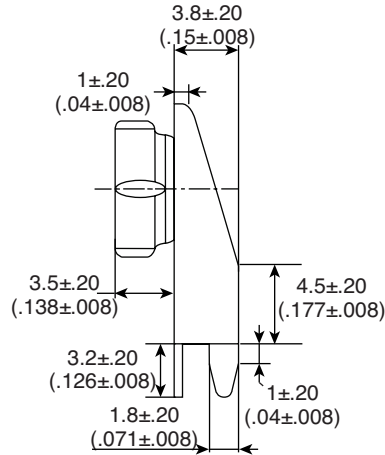


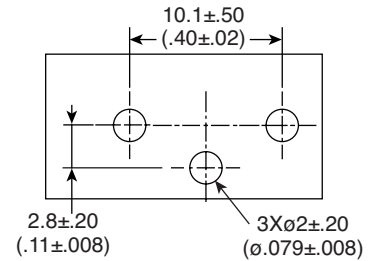
Date Last Revised: 1-09-14



Female Contact 12BC2202-GR



Male Contact 12BC2102-GR



PCB/MOUNTING LAYOUT

DIMENSIONS mm (in.)

SPECIFICATIONS	
Terminal:	With 6 prong snap terminal
Material:	Brass, nickel plated
Thickness:	0.4mm
RoHS Compliant	

Available from Mouser Electronics
1-800-346-6873 / www.mouser.com

EPD-200926

X-ON Electronics

Authorized Distributor

Click to view similar products for 9V Battery Snaps & Contacts category:

[2241](#) [F1-U2ZD UN](#) [XPEB310](#) [CFUHC1](#) [616-1800-247](#) [6210-0113](#) [F2-SU1Z/SU1Z UN](#) [T-91-SC36](#) [1290](#) [971-SO](#)