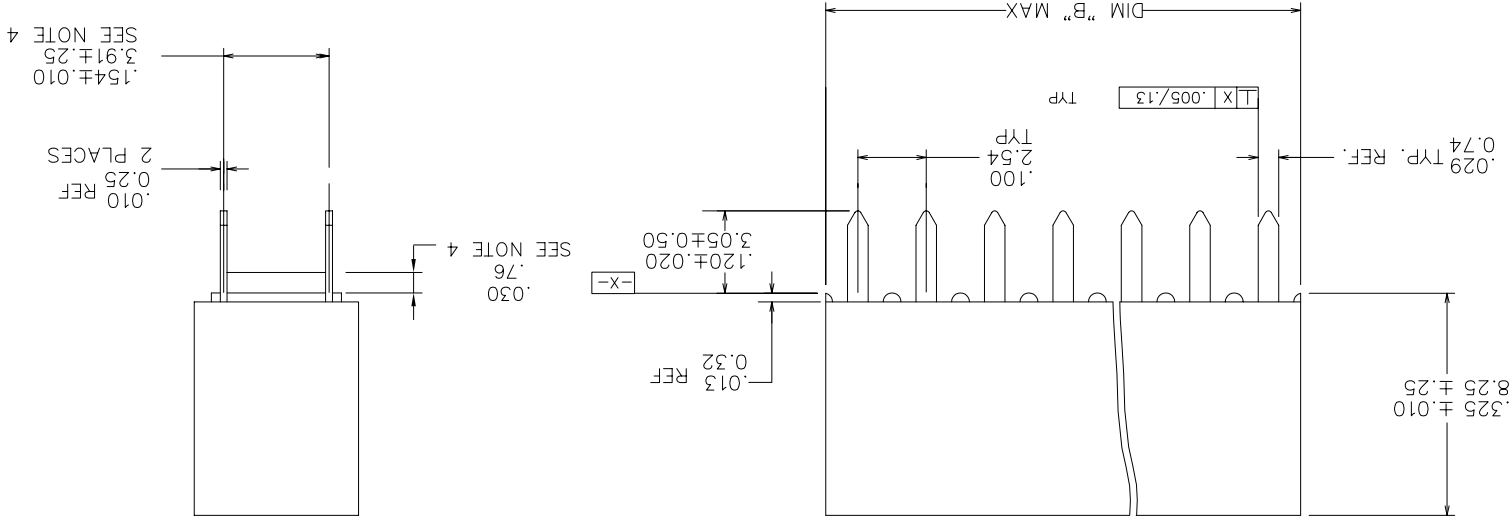
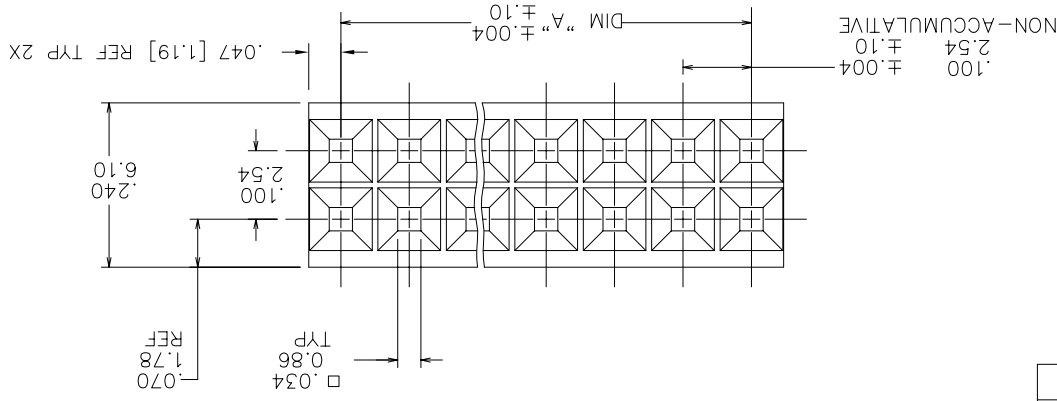
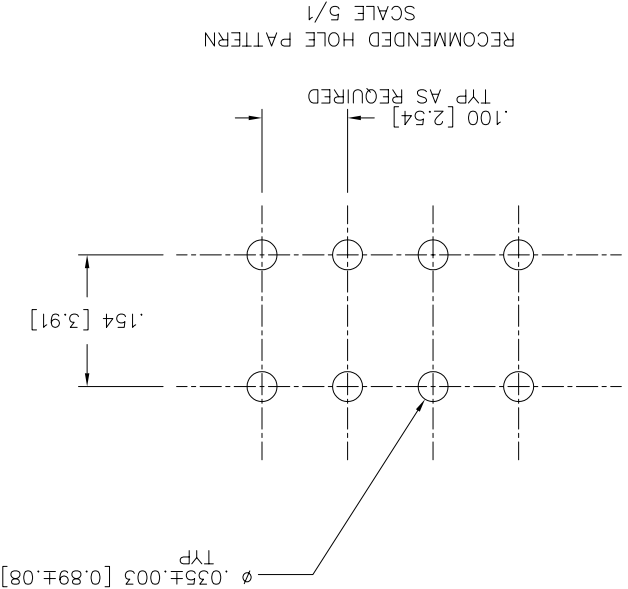


PRODUCT NUMBER
SEE TABLE



mat'l. code		surface		tolerance		projection		product family	
NOTES 1 & 2		ISO 1502		ISO 406		ISO 1101		CARD CONN	
itr	ecn no	dr	date	tolerances unless otherwise specified		inches/mm		title	
F	V11595	JCS	07/24/91	.xxx, .01/.xxx, .3		.xxx, .01/.xxx, .3		VERT. CARD CONNECTOR	
G	V61741	MDF	01/13/97	.xxx, .005/.xxx, .13		.xxx, .005/.xxx, .13		:154/3.91 CTR DOUBLE ROW	
H	V12708	GIP	12/11/01	0".F.2"		0".F.2"		scale 4:1	
J	M05-0216	ERE	10/11/05	J.SHRINER		J.SHRINER		7/21/91	
K	M06-0210	MHT	6/03/06	engr		M.HAHN		7/21/91	
L	M07-0143	ERE	03/03/07	chr		M.HAHN		7/21/91	
sheet revision		L L L L L L		M.HAHN		7/21/91		type Product Customer Drawing	
index		1 2 3 4 5 6		L L L L L L		M.HAHN		7/21/91	

PRODUCT NUMBER	SEE TABLE
----------------	-----------



NOTES:

- ① HOUSING MATL: FILLED POLYESTER, FLAME RETARDANT PER UL 94V-0. COLOR : BLACK.
- ② TERMINAL MATERIAL AND PLATING: SEE TABULATION.
- ③ RECOMMENDED PIN SIZE: .025±.001/.64±.03 SQUARE. RECOMMENDED PIN LENGTH: .210±.020/5.33±.51.
- ④ .154/3.91 DIM. APPLIES AT .030/.08 BELOW DATUM \square -X.
- ⑤ MARKING: FCI PART NUMBER AND DATE CODE LEGIBLE ON TUBE LABEL.
- ⑥ ADD "LF" SUFFIX AT THE END OF PART NUMBER FOR LEAD FREE OPTION.
- ⑦ THESE PRODUCTS MEET EUROPEAN UNION DIRECTIVES AND OTHER COUNTRY REGULATIONS AS DESCRIBED IN GS-22-008.
- ⑧ THIS PART WILL WITHSTAND EXPOSURE TO 260°C PEAK TEMPERATURE FOR 20 SECONDS IN WAVE SOLDER, INFRA-RED OR VAPOR PHASE SOLDER PROCESS.
- ⑨ "THIS PRODUCT HAS 100% TIN PLATING IN THE INTERFACE AND HAS NOT BEEN TESTED FOR WHISKER GROWTH IN ALL INTERCONNECT ENVIRONMENTS."

matl. code		ISO 1302	ISO 406	ISO 1101	tolerance	projection	product family	CARD CONN
tr	ecn no	dr	date	tolerances unless otherwise specified	XXXX.01/XX.3	INCH/MM	title	VERT. CARD CONNECTOR
L				ingles	XXXX.005/XXX.13	scale 4:1	dwg no	154/3.91 CTR DOUBLE ROW
				dr	J.SHREINER 7/21/91		sheet 2 of 6 size	76054
				engr	M.HAHN 7/21/91		Product Customer Drawing	A3
				chr	M.HAHN 7/21/91			
				ppd	M.HAHN 7/21/91			
sheet	revision							
index	sheet							

D

Copyright FCI



FCIconnect.com

B

A



PRODUCT NO	SIZE	DIM A	DIM B	MATERIAL AND PLATING	MISC.	RESTRICTED	LEAD FREE OPTION
76054-001	UNASSIGNED						

-002	2 X 2	1.00/2.54	1.200/5.08	BODY MATERIAL: BRASS			
-003	2 X 3	1.500/7.62	1.300/5.08	OVER			
-004	2 X 4	2.000/7.62	1.400/10.16	50u"/1.27u NICKEL IN CONTACT AREA.			
-005	2 X 5	2.500/10.16	1.500/12.70	SPRING MAT'L: BeCu HEAT TREATED			
-006	2 X 6	3.000/12.70	1.600/15.24	SPRING PLATING: GOLD FLASH			
-007	2 X 7	3.500/15.24	1.700/17.78				
-008	2 X 8	4.000/17.78	1.800/20.32				
-009	2 X 9	4.500/20.32	1.900/22.86				
-010	2 X 10	5.000/22.86	2.000/25.40				
-011	2 X 11	5.500/25.40	2.100/27.94				
-012	2 X 12	6.000/27.94	2.200/30.48				
-013	2 X 13	6.500/30.48	2.300/33.02				
-014	2 X 14	7.000/33.02	2.400/35.56				
-015	2 X 15	7.500/35.56	2.500/38.10				
-016	2 X 16	8.000/38.10	2.600/40.64				
-017	2 X 17	8.500/40.64	2.700/43.18				
-018	2 X 18	9.000/43.18	2.800/45.72				
-019	2 X 19	9.500/45.72	2.900/48.26				
-020	2 X 20	10.000/48.26	3.000/50.80				
-021	2 X 21	10.500/50.80	3.100/53.34				
-022	2 X 22	11.000/53.34	3.200/55.88				
-023	2 X 23	11.500/55.88	3.300/58.42				
-024	2 X 24	12.000/58.42	3.400/60.96				
-025	2 X 25	12.500/60.96	3.500/63.50				
-026	2 X 26	13.000/63.50	3.600/66.04				
-027	2 X 27	13.500/66.04	3.700/68.58				
76054-028	2 X 28	14.000/68.58	3.800/71.12				

NOTE 6,7

NOTE 6,7

mat'l. code	ISO 1302	surface	ISO 1101	tolerance	ISO 406	projection	product family	CARD CONN
ltr	ecn no	dr	date	tolerances unless otherwise specified	XXXX.01/XX.3	INCH/MM	title	VERT. CARD CONNECTOR
L	ngles	ingres	XXXX.005/XXX.13	scale 4:1	XXXX.005/XXX.051	dwg no	76054	sheets of 6 size
sheet	revision	ppd	M.HAHN	7/21/91	chr	M.HAHN	7/21/91	type
index	sheet	engr	M.HAHN	7/21/91	dr	J.SHREINER	7/21/91	Product Customer Drawing

6 5 4 3 2 1

6 5 4 3 2 1



FCIconnect.com

Copyright FCI

form: A3

PRODUCT NO	SIZE	DIM A	DIM B	MATERIAL AND PLATING	MISC.	RESTRICTED	LEAD FREE OPTION
76054-029	2 X 29	2.800/71.12	2.900/73.66	3.000/76.20	2 X 30	2.900/73.66	
				BODY MATERIAL: BRASS OVER BODY PLATING: 40u"/1.02u GOLD			
				50u"/1.27u NICKEL IN CONTACT AREA. SPRING MATL: BECU HEAT TREATED			
				SPRING MATL: BECU HEAT TREATED SPRING PLATING: GOLD FLASH			
				3.300/83.82	2 X 33	3.200/81.28	
				3.400/86.36	2 X 34	3.300/83.82	
				3.500/88.90	2 X 35	3.400/86.36	
				3.600/91.44	2 X 36	3.500/88.90	
				UNASSIGNED			
				200/5.08	2 X 2	100/2.54	
				200/5.08	2 X 3	200/5.08	
				300/7.62	2 X 4	300/7.62	
				400/10.16	2 X 5	400/10.16	
				500/12.70	2 X 6	500/12.70	
				600/15.24	2 X 7	700/17.78	
				700/17.78	2 X 8	800/20.32	
				800/20.32	2 X 9	900/22.86	
				900/22.86	2 X 10	1000/25.40	
				1000/25.40	2 X 11	1100/27.94	
				1100/27.94	2 X 12	1200/30.48	
				1200/30.48	2 X 13	1300/33.02	
				1300/33.02	2 X 14	1400/35.56	
				1400/35.56	2 X 15	1500/38.10	
				1500/38.10	2 X 16	1600/40.64	
				1600/40.64	2 X 17	1700/43.18	
				1700/43.18	2 X 18	1800/45.72	
				1800/45.72	2 X 19	1900/48.26	
				1900/48.26	2 X 20	2000/50.80	
76054-056	2 X 20	1.900/48.26	2.000/50.80				

matl. code		ISO 1302 ✓		surface tolerance		ISO 1101		ISO 406	
trn no		date		tolerances unless otherwise specified		.xxx.x/xx.x		.xxx.x/xx.x	
L		angles		indeg		.xxx.x/xx.x		.xxx.x/xx.x	
scale 4:1		dr		engr		chr		pppd	
J.SHREINER		7/21/91		M.HAHN		M.HAHN		M.HAHN	
7/21/91		7/21/91		7/21/91		7/21/91		7/21/91	
dwg no		sheet 4 of 6 size		A3		FCI			
type		Product Customer Drawing							
index		sheet							

product family		CARD CONN		title		VERT. CARD CONNECTOR		.154/3.91 CTR DOUBLE ROW		scale 4:1		sheet 4 of 6 size		76054		Product Customer Drawing	
projection				INCH/MM													
projection																	
product family		CARD CONN		title		VERT. CARD CONNECTOR		.154/3.91 CTR DOUBLE ROW		scale 4:1		sheet 4 of 6 size		76054		Product Customer Drawing	
projection				INCH/MM													
projection																	
product family		CARD CONN		title		VERT. CARD CONNECTOR		.154/3.91 CTR DOUBLE ROW		scale 4:1		sheet 4 of 6 size		76054		Product Customer Drawing	
projection				INCH/MM													
projection																	

A B C D

Copyright FCI FCIconnect.com

PRODUCT NO	SIZE	DIM A	DIM B	MATERIAL AND PLATING	MISC.	RESTRICTED	LEAD FREE OPTION
76054-057	2 X 21	2.000/50.08	2.100/53.34	BODY MATERIAL: BRASS BODY PLATING: 100u"/2.54u THICK Sn PLATE SPRING MAT'L: BeCu HEAT TREATED SPRING PLATING: 30u/.76u MIN ELECTROLESS TIN			NOTE 6,7
-059	2 X 23	2.200/55.88	2.300/58.42				
-060	2 X 24	2.300/58.42	2.400/60.96				
-061	2 X 25	2.400/60.96	2.500/63.50				
-062	2 X 26	2.500/63.50	2.600/66.04				
-063	2 X 27	2.600/66.04	2.700/68.58				
-064	2 X 28	2.700/68.58	2.800/71.12				
-065	2 X 29	2.800/71.12	2.900/73.66				
-066	2 X 30	2.900/73.66	3.000/76.20				
-067	2 X 31	3.000/76.20	3.100/78.74				
-068	2 X 32	3.100/78.74	3.200/81.28				
-069	2 X 33	3.200/81.28	3.300/83.82				
-070	2 X 34	3.300/83.82	3.400/86.36				
-071	2 X 35	3.400/86.36	3.500/88.90				
-072	2 X 36	3.500/88.90	3.600/91.44				
-073				UNASSIGNED			
-074	2 X 2	1.00/2.54	1.200/5.08	BODY MATERIAL: CU NI BODY PLATING: 100u"/25u Au FLASH INSIDE CONTACT AREA ONLY WITH .001/.03 MIN HIGH GOLD DOT 400/10.16			NOTE 6,7
-075	2 X 3	1.200/5.08	1.300/7.62				
-076	2 X 4	1.300/7.62	1.400/10.16				
-077	2 X 5	1.400/10.16	1.500/12.70				
-078	2 X 6	1.500/12.70	1.600/15.24				
-079	2 X 7	1.600/15.24	1.700/17.78				
-080	2 X 8	1.700/17.78	1.800/20.32				
-081	2 X 9	1.800/20.32	1.900/22.86				
-082	2 X 10	1.900/22.86	2.000/25.40				
-083	2 X 11	2.000/25.40	2.100/27.94				
76054-084	2 X 12	2.100/27.94	2.200/30.48				NOTE 6,7

mat'l. code	ISO 1302	surface	tolerance	ISO 406	ISO 1101	projection	product family	CARD CONN
l'tr ecn no	dr	date	tolerances unless otherwise specified	.xxx/.01/.xx.3	INCH/MM	title	VERT. CARD CONNECTOR	.154/3.91 CTR DOUBLE ROW
ngles	indeg	0°.2'	xxxx.0020/xxxx.051	scale 4:1	dwg no	76054	sheets of 6 size	A3
dr	J.SHREINER	7/21/91	engr	M.HAHN	7/21/91	chr	M.HAHN	7/21/91
ppd	M.HAHN	7/21/91	sheet	revision	index	sheet	revision	index

6 5 4 3 2 1

6 5 4 3 2 1



FCIconnect.com

Copyright FCI

form: A3

PRODUCT NO	SIZE	DIM A	DIM B	MATERIAL AND PLATING	MISC.	RESTRICTED	LEAD FREE OPTION
76054-085	2 X 13	1.200/30.48	1.300/33.02	BODY MATERIAL: CU NI BODY PLATING: 10u"/25u Au FLASH INSIDE CONTACT AREA ONLY WITH .001/.03 MIN HIGH GOLD DOT SPRING MAT'L: BCU HEAT TREATED SPRING PLATING: GOLD FLASH			
-086	2 X 14	1.300/33.02	1.400/35.56				
-087	2 X 15	1.400/35.56	1.500/38.10				
-088	2 X 16	1.500/38.10	1.600/40.64				
-089	2 X 17	1.600/40.64	1.700/43.18				
-090	2 X 18	1.700/43.18	1.800/45.72				
-091	2 X 19	1.800/45.72	1.900/48.26				
-092	2 X 20	1.900/48.26	2.000/50.08				
-093	2 X 21	2.000/50.08	2.100/53.34				
-094	2 X 22	2.100/53.34	2.200/55.88				
-095	2 X 23	2.200/55.88	2.300/58.42				
-096	2 X 24	2.300/58.42	2.400/60.96				
-097	2 X 25	2.400/60.96	2.500/63.50				
-098	2 X 26	2.500/63.50	2.600/66.04				
-099	2 X 27	2.600/66.04	2.700/68.58				
-100	2 X 28	2.700/68.58	2.800/71.12				
-101	2 X 29	2.800/71.12	2.900/73.66				
-102	2 X 30	2.900/73.66	3.000/76.20				
-103	2 X 31	3.000/76.20	3.100/78.74				
-104	2 X 32	3.100/78.74	3.200/81.28				
-105	2 X 33	3.200/81.28	3.300/83.82				
-106	2 X 34	3.300/83.82	3.400/86.36				
-107	2 X 35	3.400/86.36	3.500/88.90				
-108	2 X 36	3.500/88.90	3.600/91.44				
76054-109	2 X 17	1.600/40.64	1.700/43.18				

mat'l. code	surface	ISO 1302	tolerance	ISO 406	ISO 1101	projection	product family	CARD CONN
itr	ecn no	dr	date	tolerances unless otherwise specified	xxxx.01/xx.3	INCH/MM	title	VERT. CARD CONNECTOR
L	ngles	inogr	0±.2	xxxx.005/xxx.13	xxxx.0020/xxxx.051	scale 4:1	dwg no	76054
		dr	J.SHREINER	7/21/91			sheets of 6 size	A3
		engr	M.HAHN	7/21/91			Product Customer Drawing	
		chr	M.HAHN	7/21/91				
		pppd	M.HAHN	7/21/91				
sheet	revision							
index								

NOTE 6.7

NOTE 6.7

X-ON Electronics

Largest Supplier of Electrical and Electronic Components

Click to view similar products for [Board to Board & Mezzanine Connectors](#) category:

Click to view products by [Amphenol](#) manufacturer:

Other Similar products are found below :

[10135583-642402LF](#) [89885-310LF](#) [589158040000018](#) [6-1393048-0](#) [68683-613](#) [MDF7-12DP-2.54DSA](#) [MDF7-18P-2.54DSA\(01\)](#) [MDF7-20DP-2.54DSA](#) [MDF7-26D-2.54DSA\(55\)](#) [MDF7-3P-2.54DSA\(01\)](#) [MDF7B-3P-2.54DSA\(55\)](#) [MDF7C-11P-2.54DSA\(55\)](#) [MDF7C-18P-2.54DSA\(55\)](#) [MDF7C-5P-2.54DSA\(01\)](#) [MDF7P-5P-2.54DSA\(55\)](#) [75234-0516](#) [FCN-230C068-11](#) [FCN-268F012-G/BD](#) [FCN-268F036-G/BD](#) [FCN-268M012-G/0D](#) [FCN-268M024-G/1D](#) [FCN-360C008-C](#) [FCN-360C040-C](#) [FCN-723J004/1](#) [MIS-048-01-F-D-DP-K](#) [832-10-034-10-001000](#) [93696-325LF](#) [11828-1FA](#) [AXK630345P](#) [18097-0013](#) [ICA-328STT](#) [2007042-2](#) [304400-2](#) [FCN-214Q030-G/0](#) [FCN-215Q040-G/0](#) [FCN-230C068-ESA](#) [FCN-234P048-G/0](#) [FCN-235D050-G/C](#) [FCN-360A3](#) [FCN-360C040-B](#) [210-93-314-41-105000](#) [2-22603-0](#) [379-064-521-202](#) [MDF7-12P-2.54DSA\(01\)](#) [MDF7-16P-2.54DS\(56\)](#) [MDF7-40DP-2.54DSA\(55\)](#) [MDF7-8P-2.54DSA\(55\)](#) [MDF7B-16P-2.54DSA\(55\)](#) [AXG720047](#) [5031084030](#)