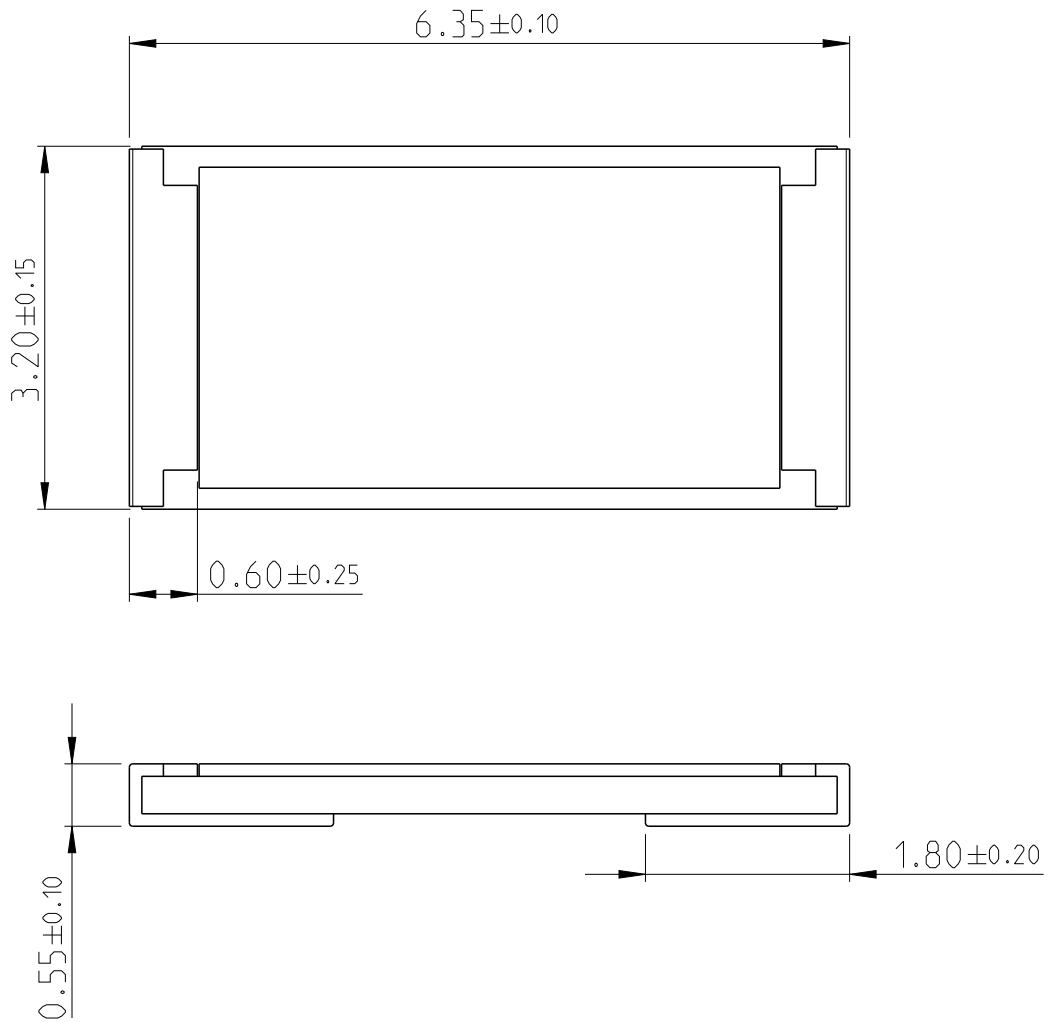
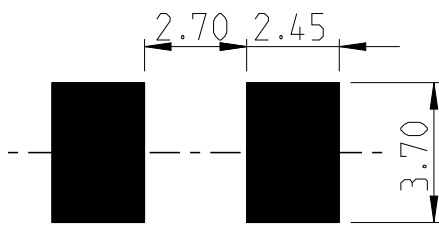


LOC	DIST	REVISIONS					
-	-	P	LTR	DESCRIPTION	DATE	DWN	APVD
		BB1	ECR-15-009470		24 JUN 2015	KR	TN

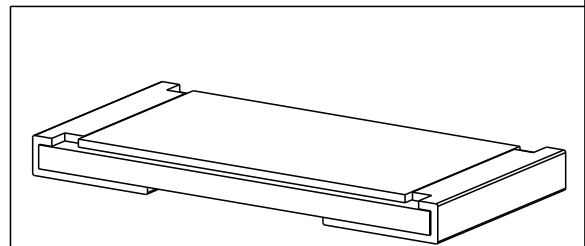


FOR FURTHER INFORMATION SEE PRODUCT SPECIFICATION FOR CRGH SERIES


RoHS Compliant



PCB LAYOUT PLAN



20
 RELEASED FOR PUBLICATION
 ALL RIGHTS RESERVED.
 THIS DRAWING IS UNPUBLISHED.
 BY -
 © COPYRIGHT 20

DIMENSIONS:	DWN	27 JUN 2012	MATERIAL	FINISH				
mm	RAGHAVENDRA K		-	-				
TOLERANCES UNLESS OTHERWISE SPECIFIED:	CHK	27 JUN 2012	 TE Connectivity					
0 PLC ±	ALLAN P							
1 PLC ±0.5	APVD	27 JUN 2012						
2 PLC ±0.13	TONY N		NAME					
3 PLC ±0.013	PRODUCT SPEC		SMD POWER					
4 PLC ±0.0001	-		RESISTORS - TYPE CRGH2512 SERIES					
ANGLES ±	APPLICATION SPEC		SIZE	CAGE CODE	DRAWING NO	RESTRICTED TO		
	-		A 4	00779	C-1879501	-		
	WEIGHT	-	Customer Drawing		SCALE	SHEET	OF	REV
					40:1	1	1	BB1

X-ON Electronics

Largest Supplier of Electrical and Electronic Components

Click to view similar products for [Thick Film Resistors - SMD category:](#)

Click to view products by [TE Connectivity manufacturer:](#)

Other Similar products are found below :

[CRCW04028R20JNEE](#) [CRCW06036K80FKEE](#) [CRG1206F1K58](#) [CRL0603-FW-R700ELF](#) [M55342K06B6E19RWL](#) [RC1005F1072CS](#)
[RC1005F471CS](#) [RC1005F4751CS](#) [RCP0603W100RGED](#) [RCWP72251K47FKWB](#) [RLR05C7501GPB14](#) [RLR07C5111FSBSL](#) [ERJ-](#)
[1GMF1R00C](#) [ERJ-1GMF1R20C](#) [ERJ-1GMF2R55C](#) [ERJ-1GMF8R66C](#) [25121WF1003T4E](#) [25.501.3653.0](#) [290-1.0M-RC](#) [292-1.0M-RC](#) [292-](#)
[2.2K-RC](#) [292-4.7K-RC](#) [25121WF4700T4E](#) [292-470K-RC](#) [302-1.0M-RC](#) [CPG1206F10KC](#) [CRCW02011R00FXED](#) [CRCW060315K0FKEE](#)
[CRCW060320K5FKEE](#) [CRG0201F10K](#) [RCG0402150RFKED](#) [RCG04023K92FKED](#) [RCP2512B100RGWB](#) [RCWP110010R0FKS3](#)
[RCWP11002K00FKS3](#) [RCWP12061K00FKS2](#) [3520510RJT](#) [352075KJT](#) [M55342K11B9E53RUL](#) [RMC16-102JT](#) [RMC1JPTE](#) [TR0603MR-](#)
[075K1L](#) [5-2176094-4](#) [35202K7JT](#) [WF06Q1000FTL](#) [ERJ-S03J1R0V](#) [ERJ-S14J4R7U](#) [CHP2512L4R30GNT](#) [CPCC10270R0JE32](#)
[RCWP11001K00FKS3](#)