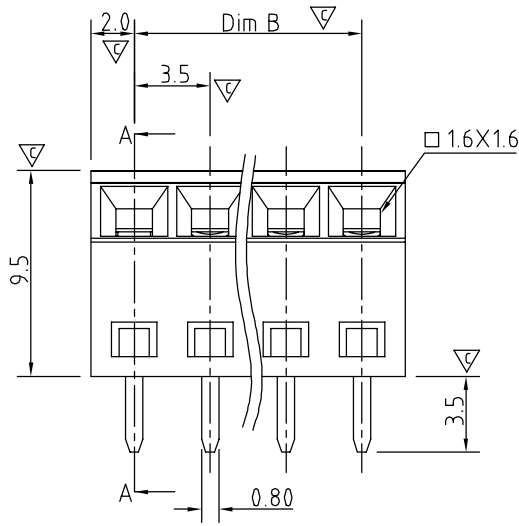
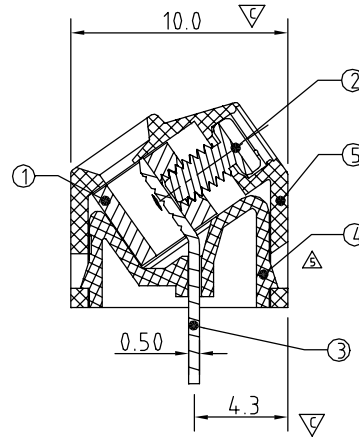


N = Number of poles  
 Dim A =  $N \times 3.5 + 0.50$   
 Dim B =  $(N-1) \times 3.5$

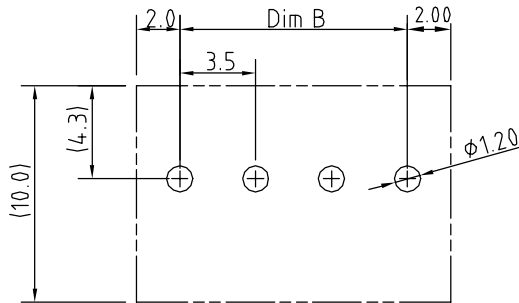
	Dim A	Dim B
2-6p	±0.15	±0.15
7-12p	±0.20	±0.20
13-18p	±0.25	±0.25
19-24p	±0.30	±0.30



N=Number of poles



SECTION A-A



P.C.B. LAYOUT

SIGN	DATE	DESCRIPTION	APPROVER
△	02/01/07	Soldering temperature changed from 245° to 250°	Tason
△	02/01/07	Part NO is Changed	Tason
△	05/25/09	Wire strip length changed from 6-7mm to 5-6mm	Eris
△	05/25/09	temperature changed from -30°C-105°C to -40°C-115°C	Eris
△	8/28/12	enlarge the chamfer to be 35 degree more	Guoxue
△	8/28/12	temperature changed from 250°C±10°C/5 Sec to 260°C±5°C/5 Sec	Guoxue

*THIS IS CAD DRAWING, DO NOT REVISE MANUALLY!!!*

**Material**

- Item① Clamp : Brass , Ni plated
- Item② Terminal screw : Steel Zinc plating "-" slot type
- Item③ Wire guard solder pin : Brass, Tin plated
- Item④ Terminal cover : Thermoplastic (UL94V-0)
- Item⑤ Terminal housing : Thermoplastic (UL94V-0)

**Electrical**

- Voltage rating: 300VAC
- Current rating: 10A
- Wire range:
  - Solid wire(AWG): 16-28
  - Stranded wire(AWG): 16-28
- Torque(Lb-In): 1.7
- Screw: M2
- △ ● Wire strip length: 5-6mm
- Withstanding Voltage: 1.6KV
- △ ● Operating temperature: -40°C to +115°C
- △ ● Soldering temperature: 260°C±5°C/5 Sec
- Safety Approval: us
- Critical dimension: ▽

△ TV xx 1 1 x 0 xxxx G

02 2 POLES	0 Black	0000:"@"Logo (Standard)	G RoHS compliant
03 3 POLES	5 Green	000A:"ANYTEK"Logo	(lead-4%)
... ..	6 Blue	Any special item by	In copper Alloy
24 24 POLES	8 Grey	customer request,	
		please contact sales	
		department.	

<h1>ANYTEK</h1>		<h2>CUSTOMER COPY</h2>	
ALL RIGHTS RESERVED. REPRODUCTION OR ISSUE TO THIRD PARTIES IN ANY FORM WHATSOEVER IS NOT PERMITTED WITHOUT WRITTEN AUTHORITY FROM THE PROPRIETOR. PROPERTY OF ANYTEK TECHNOLOGY CO., LTD			
TITLE	TV-3.5mm Series		
PART NO.	TVxx11x0xxxxG	DWG NO.	8TV0001
APPROVED	CHECKED	DESIGNED	DRAWN
		Guoxue 2012.08.28	Guoxue 2012.08.28
		CUST NO.	
		Tolerance	
		X. ±0.50	
		X.X ±0.30	
		X.XX ±0.10	
		X° ±1°	
		UNIT: mm	
		SCALE: NONE	
		REV.: F	
		SHEET: 01/01	

## **X-ON Electronics**

Largest Supplier of Electrical and Electronic Components

*Click to view similar products for [Fixed Terminal Blocks](#) category:*

*Click to view products by [Amphenol](#) manufacturer:*

Other Similar products are found below :

[00175550202](#) [MBE-1512](#) [MBE-1520](#) [MBE-154](#) [MBE-156](#) [MBES-1510](#) [MBES-153](#) [MBES-156](#) [MH-2512](#) [MHE-132](#) [MHE-133](#) [MHE-163](#)  
[MI-254 \(35\)](#) [MI-272](#) [8739](#) [880507](#) [880508](#) [MPT-275](#) [1546551-6](#) [ELM023100](#) [ELM10110G](#) [ELVD12100](#) [BA311TU](#) [BA411SU](#) [MV-152](#)  
[MV-253/NCNOC](#) [MV-254-D](#) [MV-255](#) [MV-462](#) [MV-472](#) [MV-493](#) [MVE-252](#) [MVE-253](#) [MVE-258](#) [MVE-273](#) [MVEB-153](#) [1700096](#)  
[1702246](#) [1705142](#) [1712417](#) [1713020](#) [1713088](#) [1776118-2](#) [1790852](#) [1-796689-8](#) [1-796692-6](#) [1800001](#) [1800114](#) [1823215](#) [1838462](#)