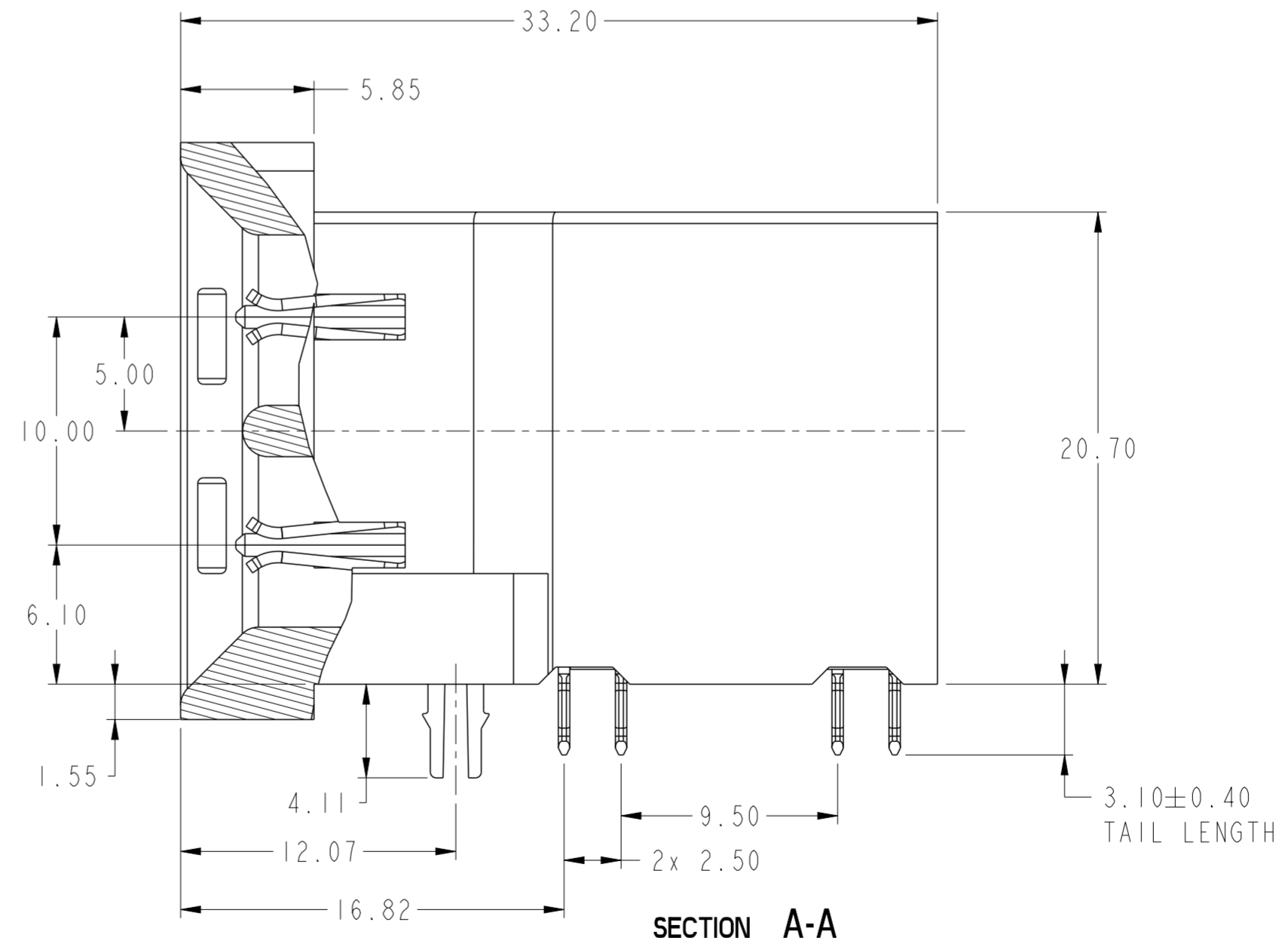
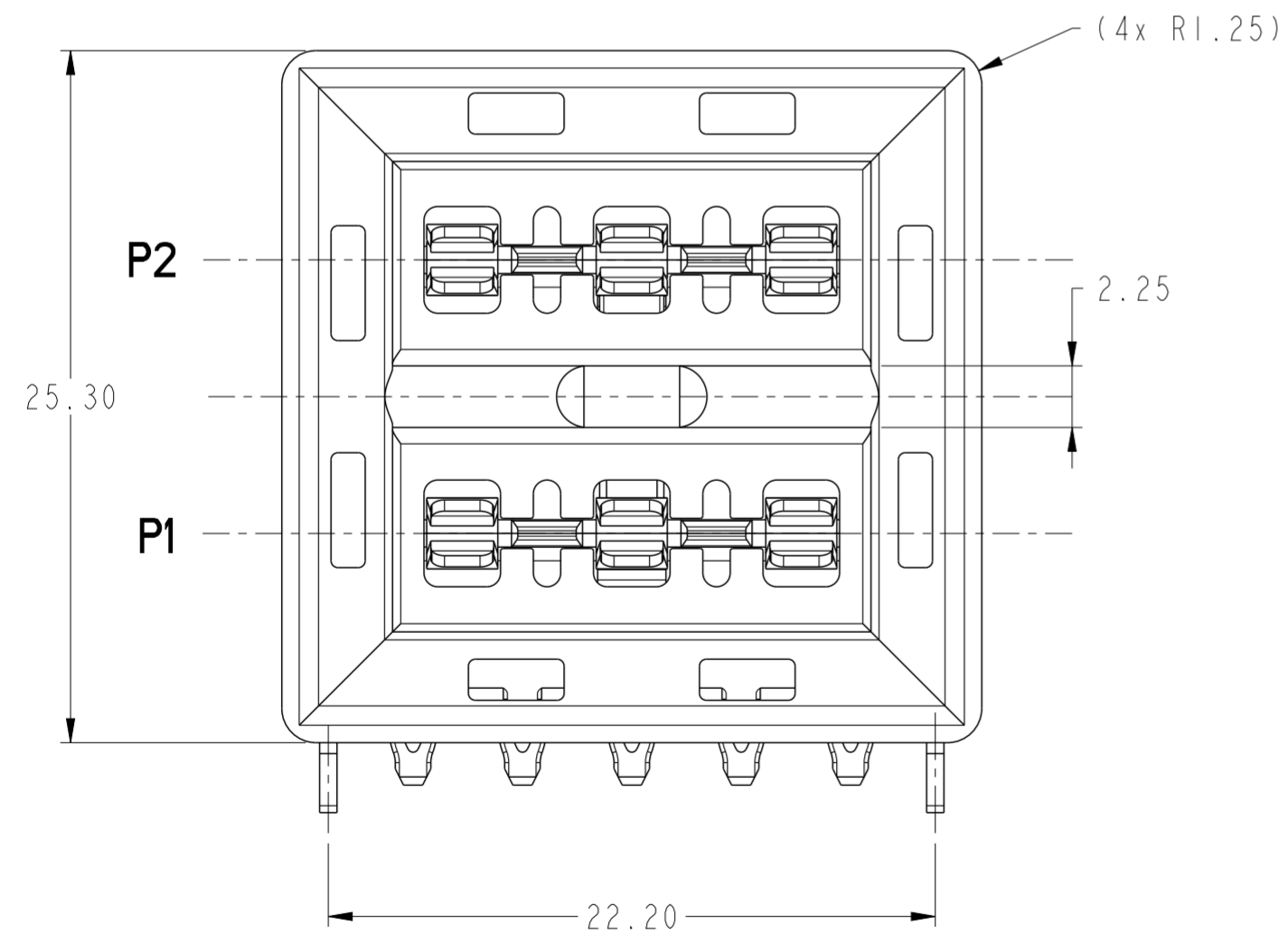
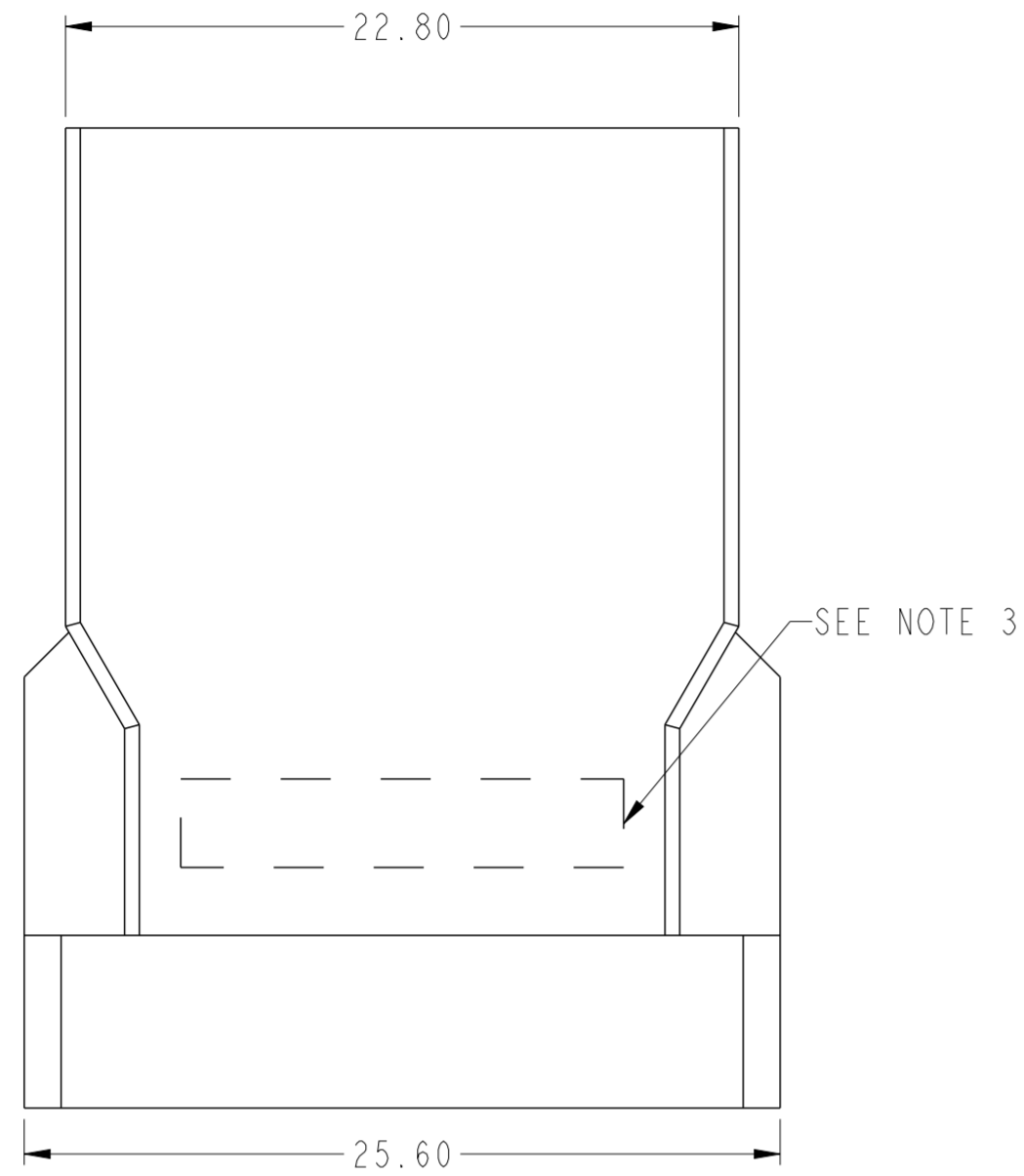


1	2	3	4	5	6	7	8
PART NO		DESCRIPTION					
10132640-001LF		PCB METAL CLIP HOLD DOWN OPTION					



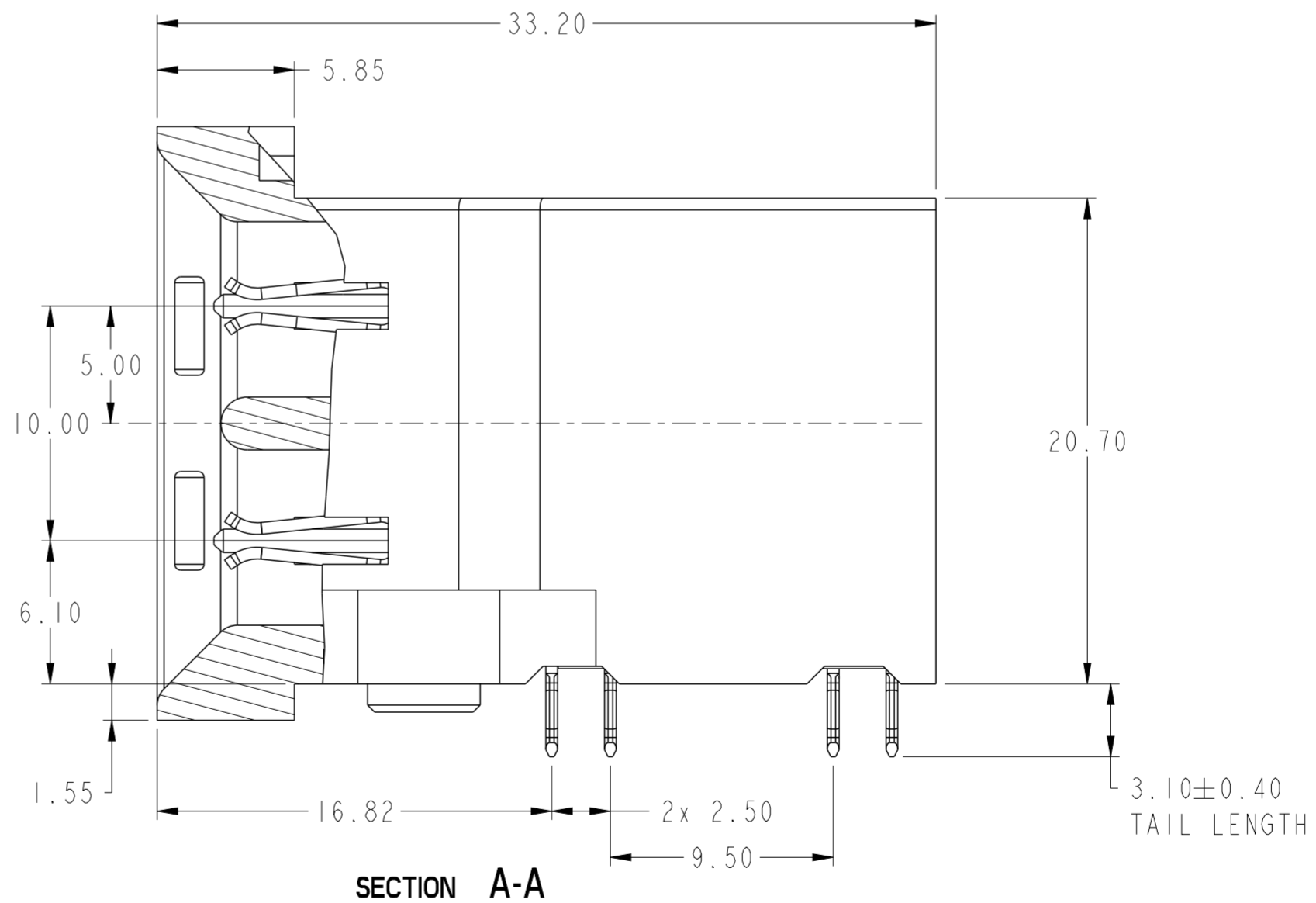
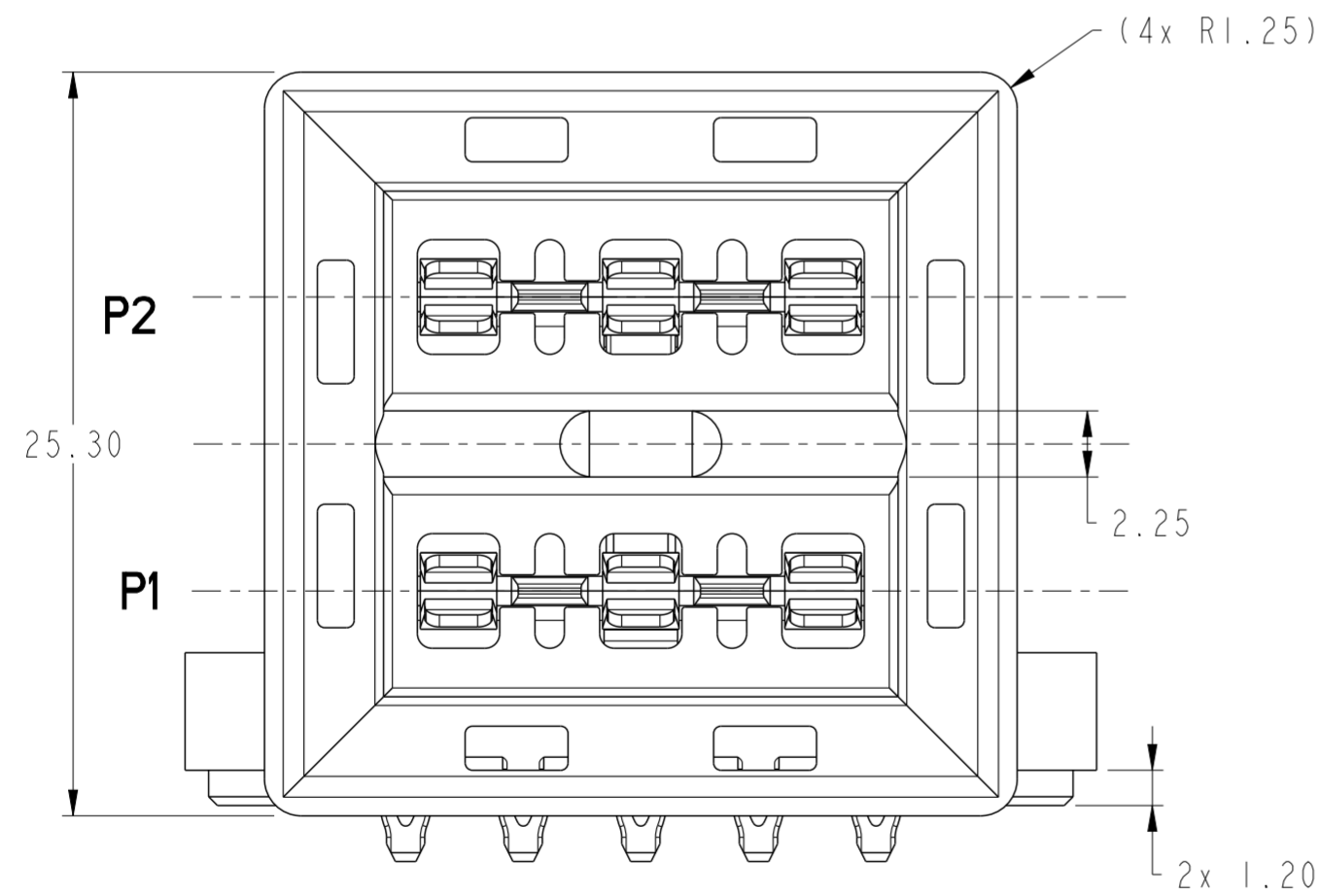
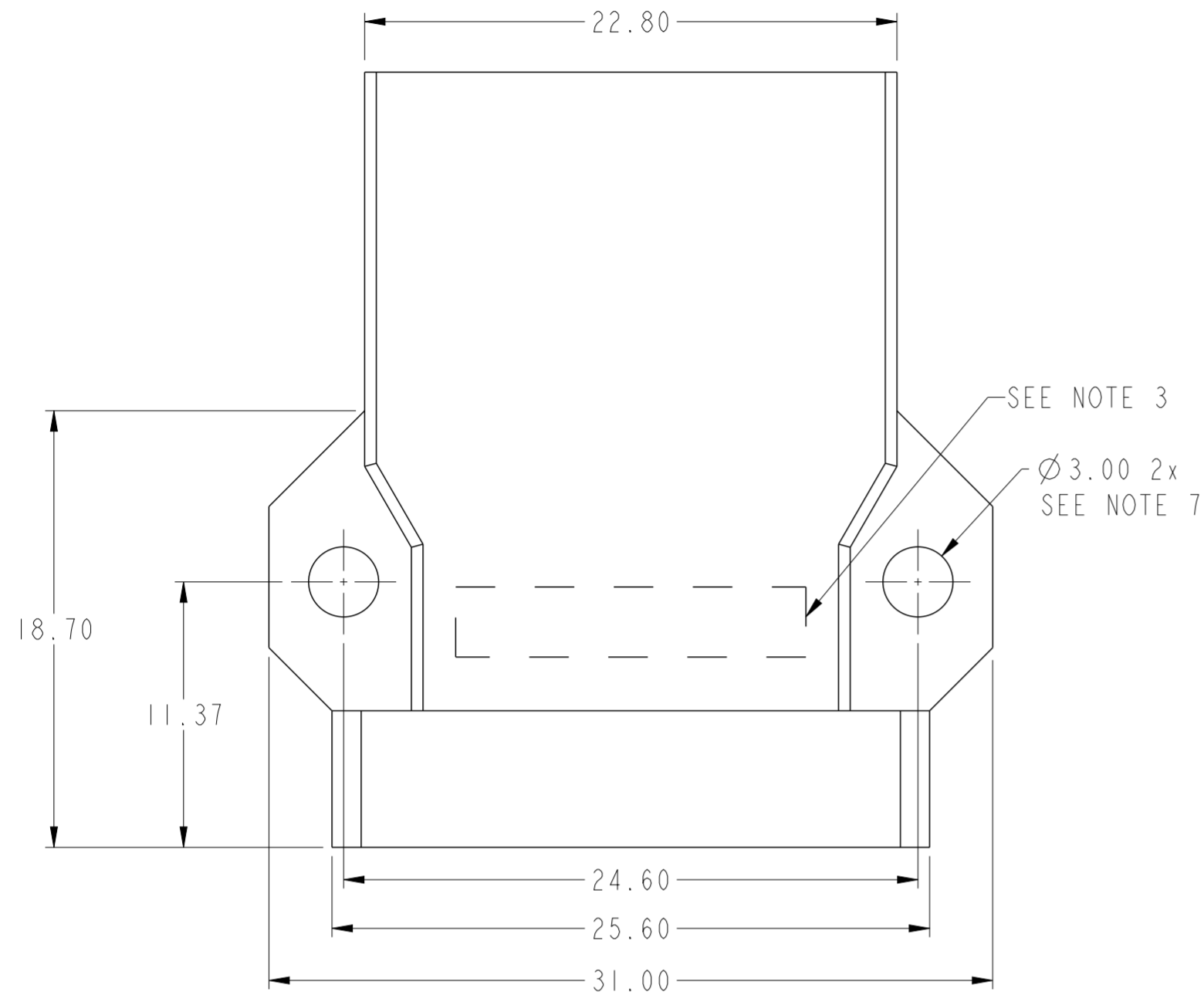
spec ref	-	dr	Chris Gieski	2015/02/03	projection	mm	size	A2	scale	4:1
tolerance std	ASME Y14.5	eng	Vicking Liu	2018/01/23		mm	ecn no	-	rel level	Released
TOLERANCES UNLESS OTHERWISE SPECIFIED		chr	Feng Zheng	2018/01/23						
		appr	Pai-Ming Zheng	2018/01/23						
surface	linear	0.X	±0.5	Amphenol FCI	product family		-	rel level	Released	
		0.XX	±0.25		R/A ORTHOGONAL PLUG ASSEMBLY 2DC		cat. no.	-	Product - Customer Drw	sheet 1 of 7
	angular	0°	±2°		PWRMAX CONNECTOR SYSTEM		divg no	10132640	rev	A

PDS: Rev :A

STATUS:Released

Printed: Jan 23, 2018

1	2	3	4	5	6	7	8
PART NO		DESCRIPTION					
10132640-002LF		BUSBAR BOLT HOLD DOWN OPTION					



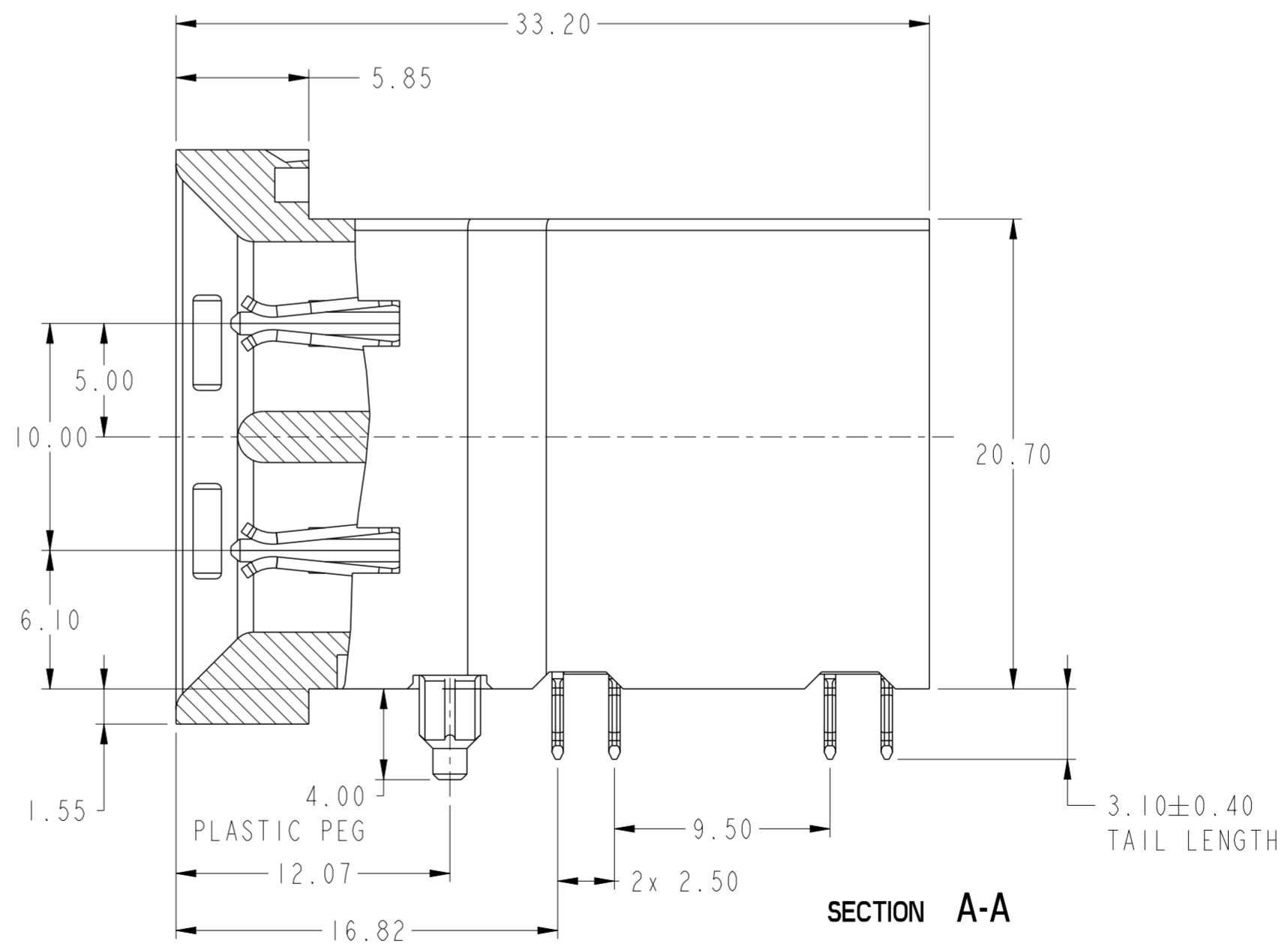
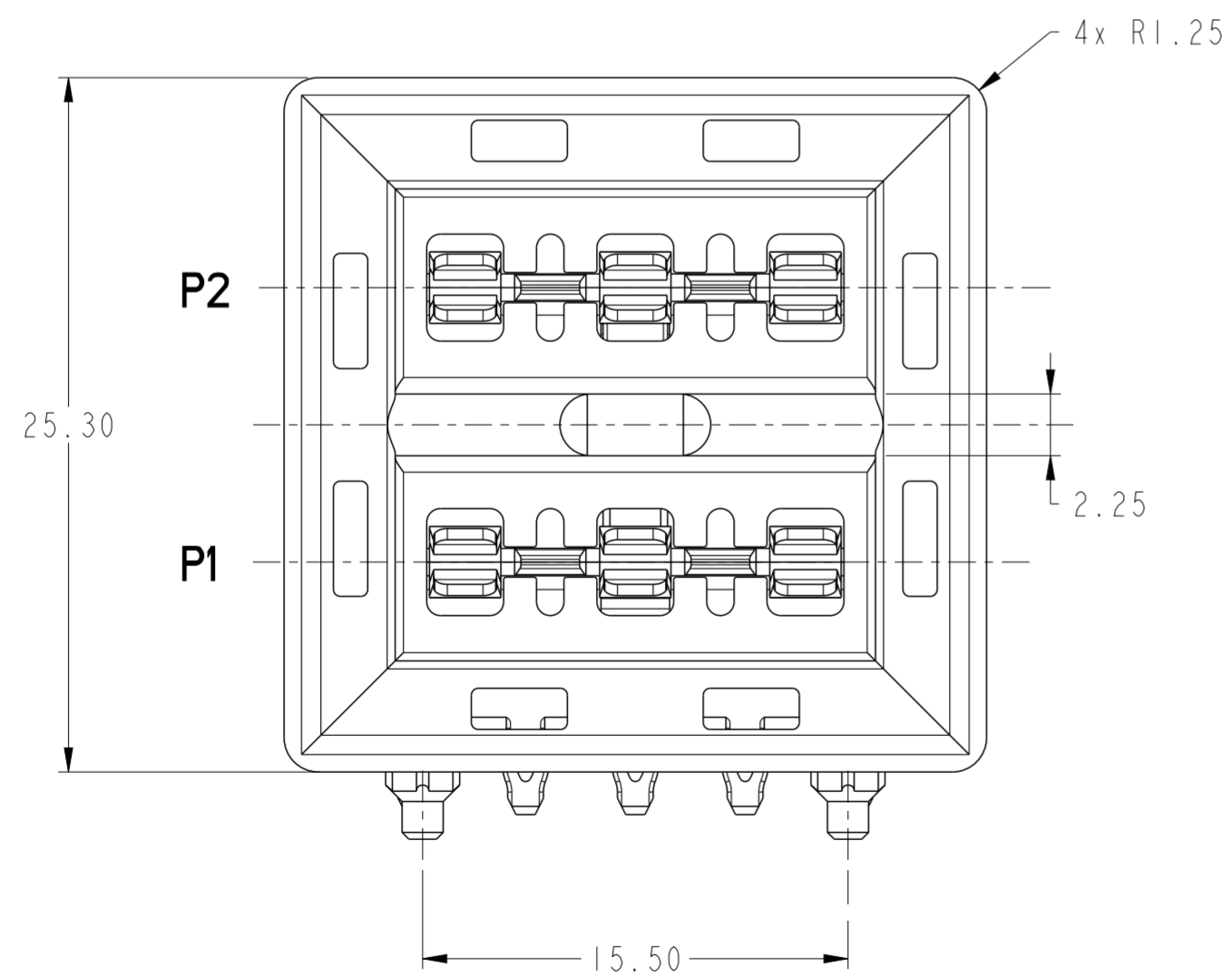
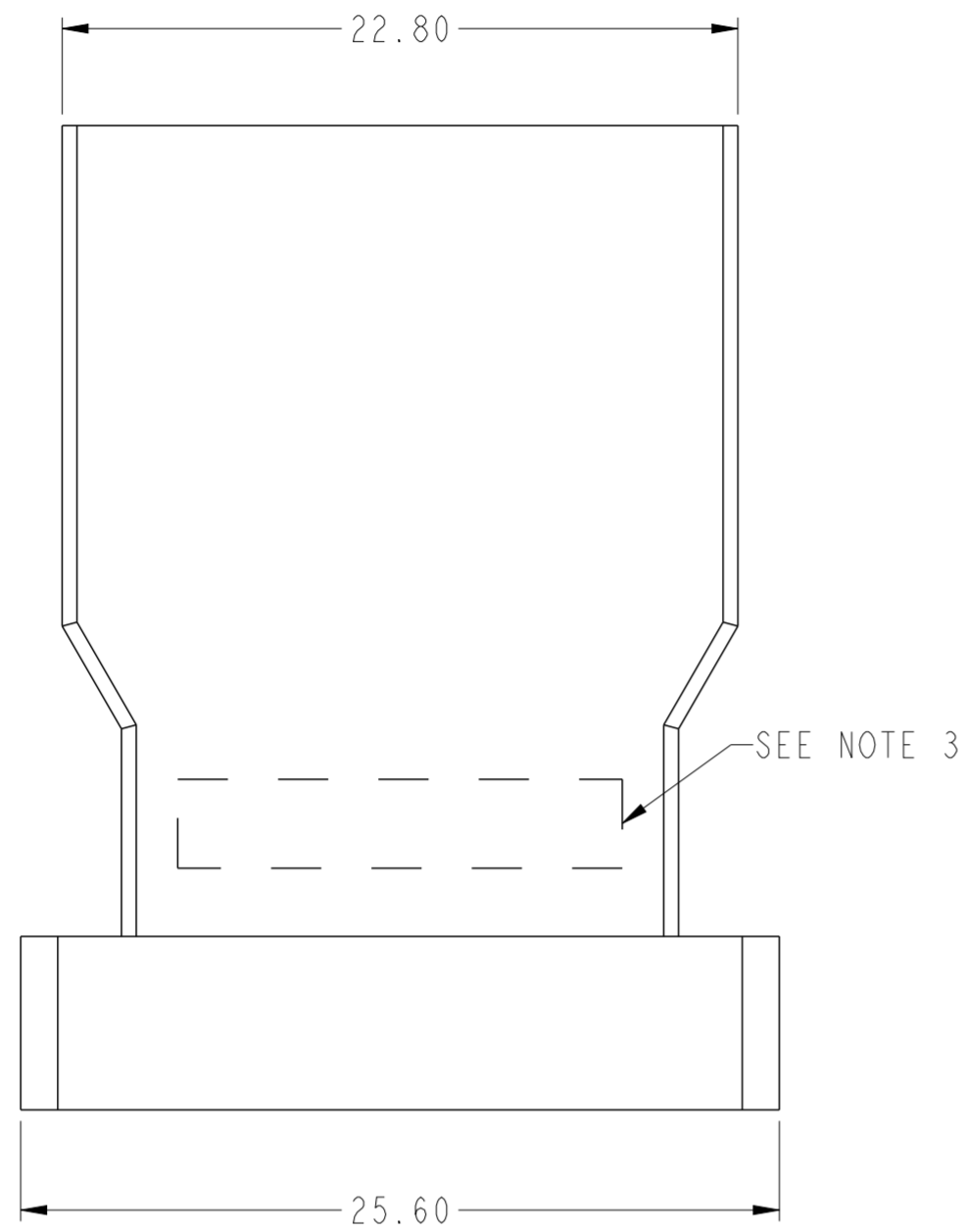
spec ref	-	dr	Chris Gieski	2015/02/03	projection	mm	size	A2	scale	2:1	
tolerance std	ASME Y14.5	eng	Vicking Liu	2018/01/23		mm	ecn no	-	rel level	Released	
TOLERANCES UNLESS OTHERWISE SPECIFIED		chr	Feng Zheng	2018/01/23							
		appr	Pai-Ming Zheng	2018/01/23							
surface	linear	0.X	±0.5		product family		R/A ORTHOGONAL PLUG ASSEMBLY 2DC		title R/A ORTHOGONAL PLUG ASSEMBLY 2DC PWRMAX CONNECTOR SYSTEM	dwg no 10132640	rev A
		0.XX	±0.25		-		-				
		0.XXX	±0.10		-		-				
	angular	0°	±2°	cat. no.	-		Product - Customer Drw		sheet 2 of 7		

PDS: Rev :A

STATUS:Released

Printed: Jan 23, 2018

PART NO	DESCRIPTION
10132640-003LF	PCB PLASTIC PEG HOLD DOWN OPTION



spec ref	-	dr	Chris Gieski	2015/02/03	projection	mm	size	A2	scale	4:1	
tolerance std	ASME Y14.5	eng	Vicking Liu	2018/01/23			ecn no	-	rel level	Released	
TOLERANCES UNLESS OTHERWISE SPECIFIED		chr	Feng Zheng	2018/01/23							
		appr	Pei-Ming Zheng	2018/01/23							
surface	ASME Y14.5	linear	0.X	±0.5	0.XX	±0.25	0.XXX	±0.10	angular	0°	±2°
		Amphenol FCI			TITLE R/A ORTHOGONAL PLUG ASSEMBLY 2DC PWRMAX CONNECTOR SYSTEM		cat. no.	-	Product - Customer Drw	sheet 3 of 7	
					divg no	10132640	rev	A			

PDS: Rev :A

STATUS:Released

Printed: Jan 23, 2018

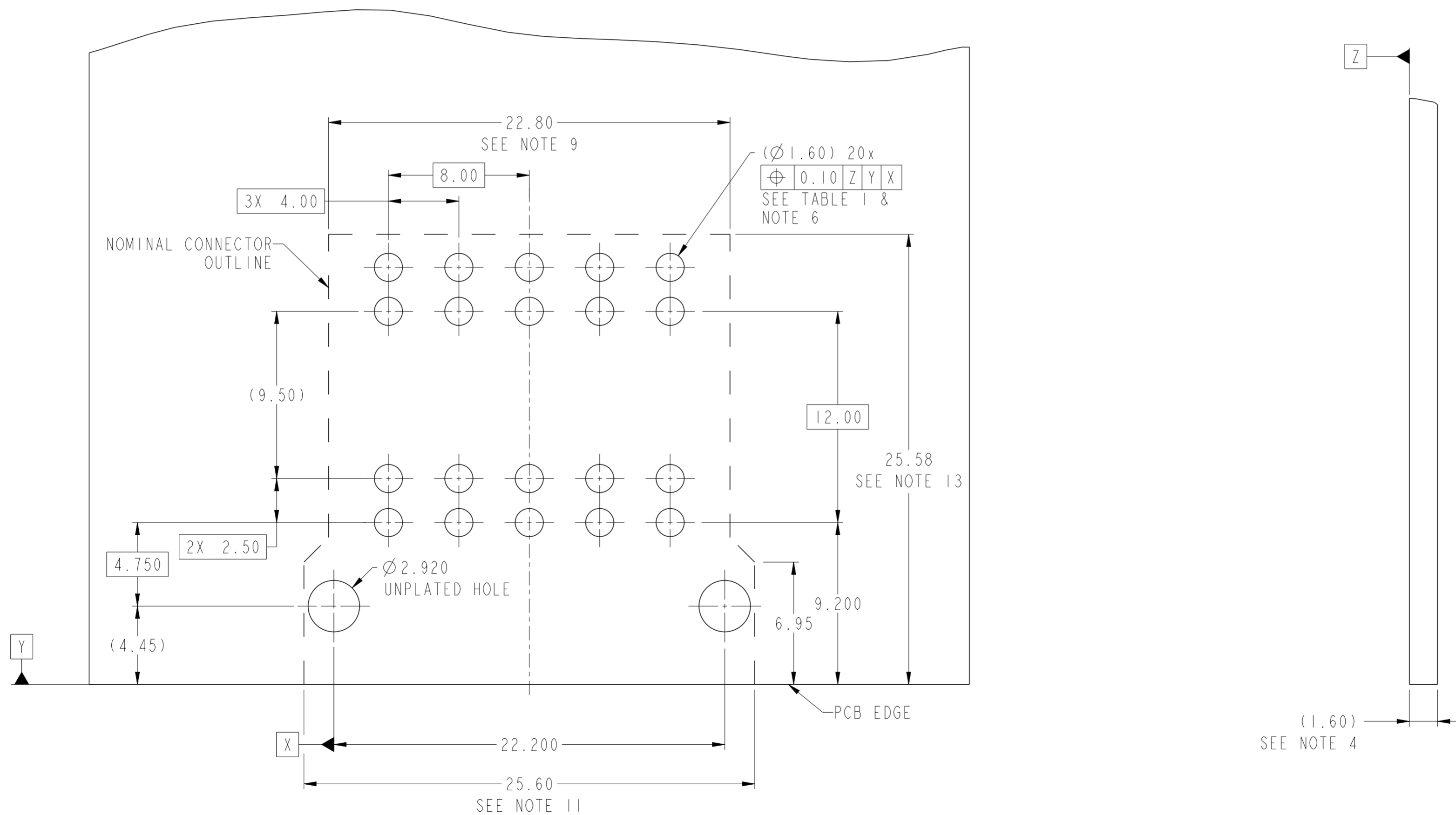
TOP LAYER DESCRIPTION

TABLE 1 (PWRMAX ORTHOGONAL PLUG) PLATED THROUGH-HOLE REQUIREMENTS

TOP LAYER DESCRIPTION	DRILLED HOLE DIAMETER	COPPER THICKNESS	TIN-LEAD THICKNESS	NICKEL THICKNESS	GOLD THICKNESS	TIN THICKNESS	SILVER THICKNESS	FINISHED HOLE DIAMETER
IMMERSION TIN	1.68-1.73 (1.72 DRILL)	0.025 - 0.050	--	--	--	0.9 - 1.5um	--	1.500 - 1.650
IMMERSION SILVER	1.68-1.73 (1.72 DRILL)	0.025 - 0.050	--	--	--	--	0.15 - 0.65um	1.500 - 1.650
COPPER (SEE NOTE 9)	1.68-1.73 (1.72 DRILL)	0.025 - 0.050	--	--	--	--	--	1.500 - 1.650
GOLD	1.68-1.73 (1.72 DRILL)	0.025 - 0.050	--	0.003 - 0.007	FLASH UP TO 0.0002	--	--	1.500 - 1.650

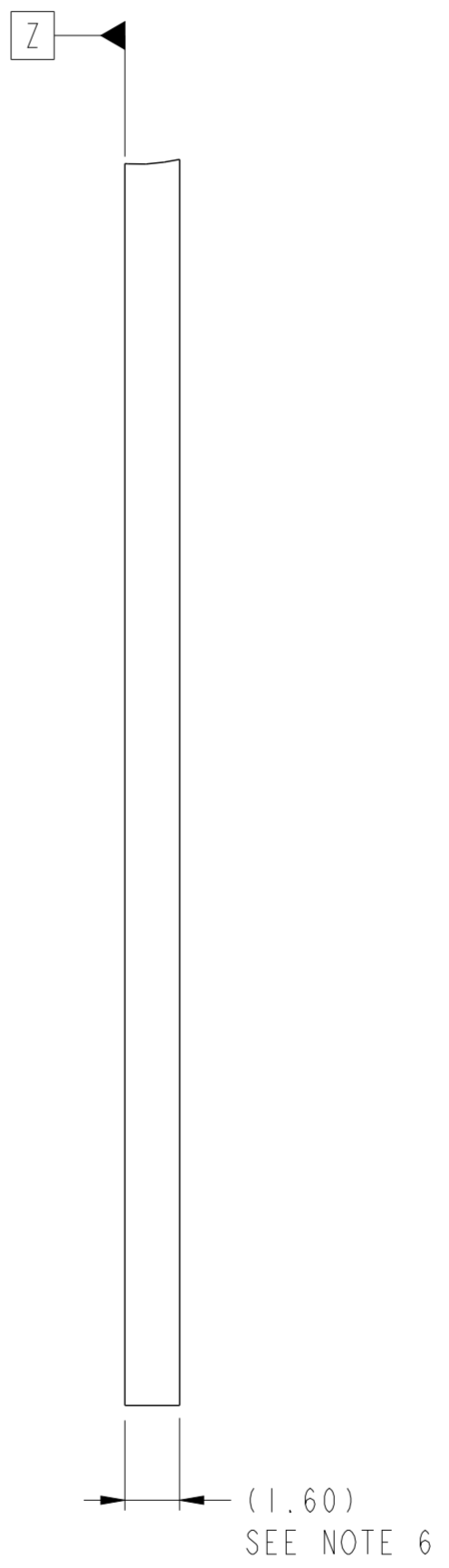
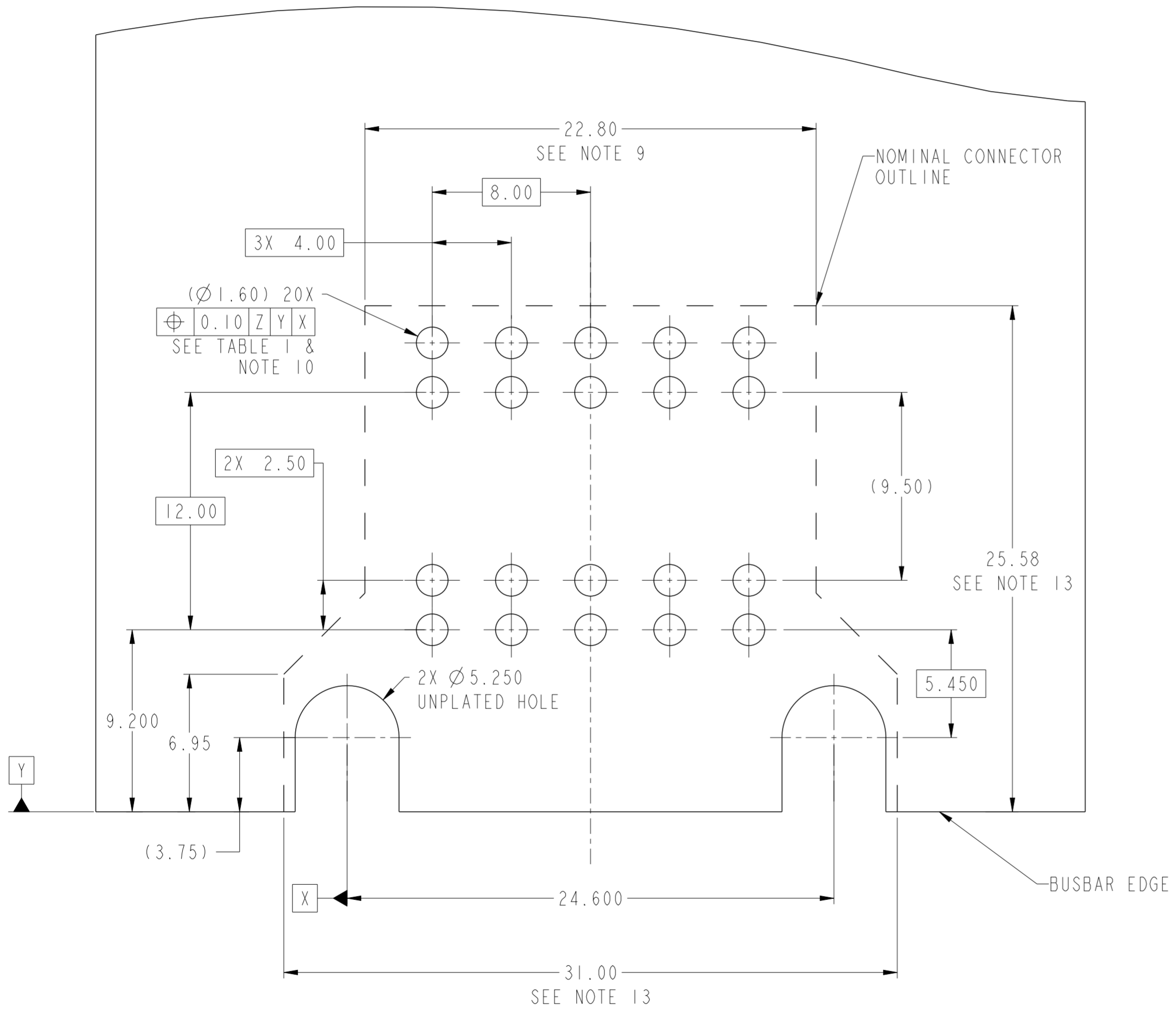
TABLE 2 (PWRMAX ORTHOGONAL PLUG) BUSBAR HOLE REQUIREMENTS

DESCRIPTION	FINISHED HOLE DIAMETER
BUSBAR	1.600 ± 0.050



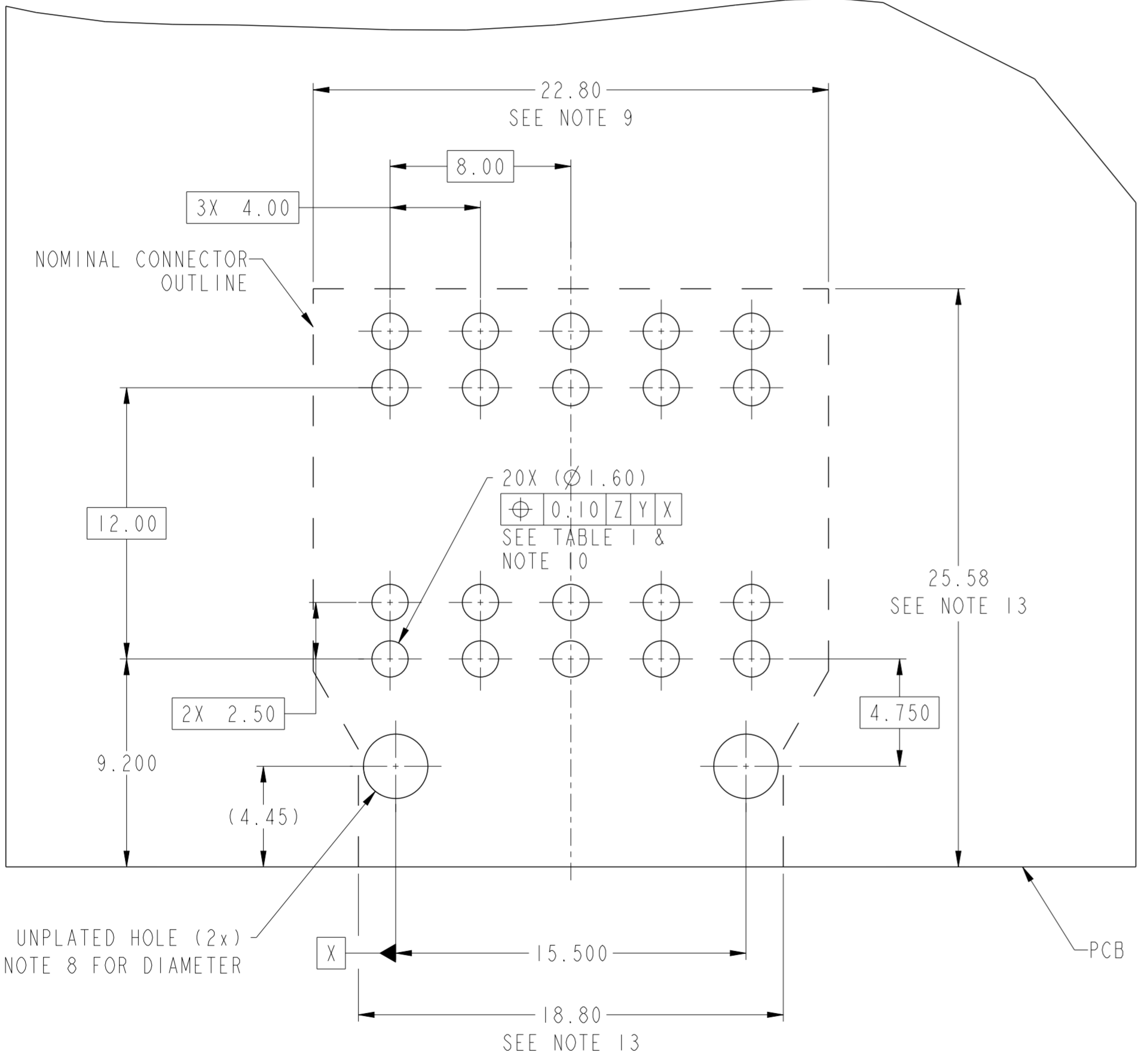
RECOMMENDED PCB LAYOUT WITH METAL CLIP HOLD DOWNS SCALE 5:1

spec ref	-	dr	Chris Gieski	2015/02/03	projection	mm	size	A2	scale	5:1										
tolerance std	-	eng	Vicking Liu	2018/01/23			ecn no	-	rel level	Released										
ASME Y14.5	TOLERANCES UNLESS OTHERWISE SPECIFIED	chr	Feng Zheng	2018/01/23																
		appr	Pei-Ming Zheng	2018/01/23																
surface	-				product family		-	rel level	Released											
ASME Y14.5	<table border="1"> <tr> <td>linear</td> <td>0.X</td> <td>±0.5</td> </tr> <tr> <td></td> <td>0.XX</td> <td>±0.25</td> </tr> <tr> <td></td> <td>0.XXX</td> <td>±0.10</td> </tr> <tr> <td>angular</td> <td>0°</td> <td>±2°</td> </tr> </table>	linear	0.X	±0.5		0.XX	±0.25		0.XXX	±0.10	angular	0°	±2°	Amphenol FCI		R/A ORTHOGONAL PLUG ASSEMBLY 2DC PWRMAX CONNECTOR SYSTEM		cat. no.	Product - Customer Drw	sheet 4 of 7
linear	0.X	±0.5																		
	0.XX	±0.25																		
	0.XXX	±0.10																		
angular	0°	±2°																		



**RECOMMENDED BUSBAR LAYOUT
WITH BOLT HOLD DOWNS
SCALE 5:1**

spec ref	-	dr	Chris Gieski	2015/02/03	projection	mm	size	A2	scale	2:1
tolerance std	ASME Y14.5	eng	Vicking Liu	2018/01/23			ecn no	-	Released	
TOLERANCES UNLESS OTHERWISE SPECIFIED		chr	Feng Zheng	2018/01/23			rel level	-		
surface	ASME Y14.5	appr	Pei-Ming Zheng	2018/01/23			product family	-	cat. no.	-
linear	0.X ±0.5 0.XX ±0.25 0.XXX ±0.10			R/A ORTHOGONAL PLUG ASSEMBLY 2DC PWRMAX CONNECTOR SYSTEM		divg no	10132640		rev	A
angular	0° ±2°									



Z

(1.60)
SEE NOTE 6

**RECOMENDED LAYOUT
WITH PLASTIC PEG HOLD DOWNS
SCALE 5:1**

**Amphenol
FCi**

© 2016 AFci

spec ref	-	dr	Chris Gieski	2015/02/03	projection	mm	size	A2	scale	4:1
tolerance std	ASME Y14.5	eng	Vicking Liu	2018/01/23			ecn no	-	rel level	
TOLERANCES UNLESS OTHERWISE SPECIFIED		chr	Feng Zheng	2018/01/23			Released			
surface	-	appr	Pai-Ming Zheng	2018/01/23			Product - Customer Drw			
linear	0.X ±0.5 0.XX ±0.25 0.XXX ±0.10			title	R/A ORTHOGONAL PLUG ASSEMBLY 2DC PWRMAX CONNECTOR SYSTEM	cat. no.	-	Product - Customer Drw	sheet 6 of 7	
angular	0° ±2°			divg no	10132640	rev	A	STATUS:Released		

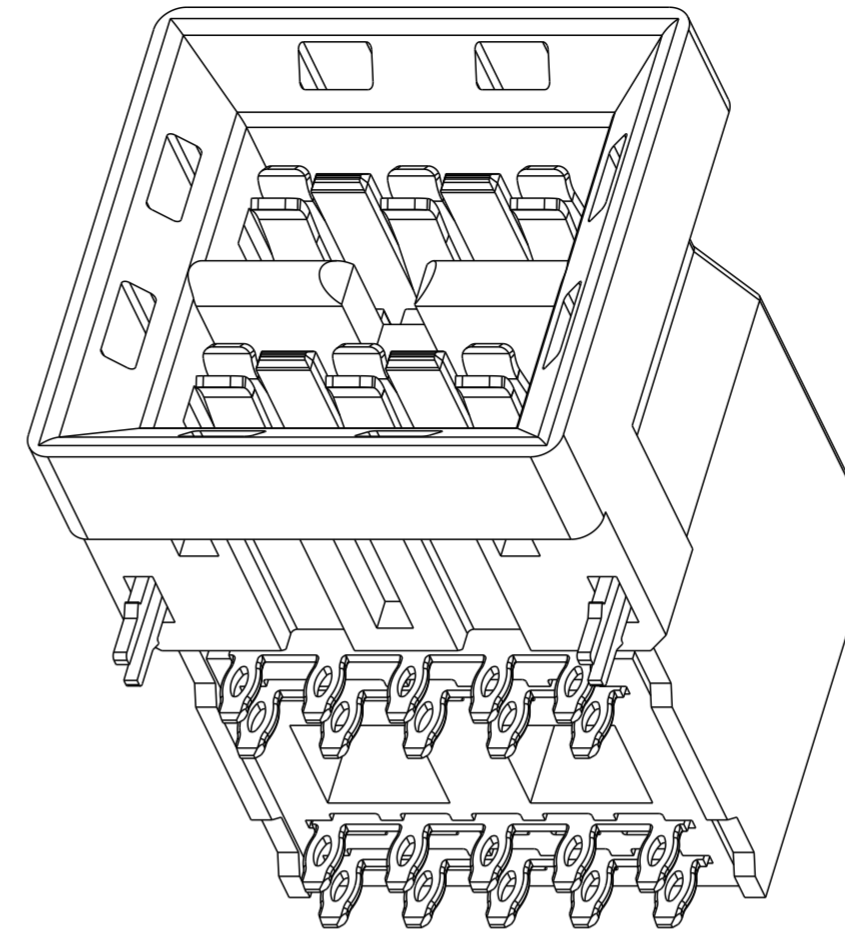
PDS: Rev :A

STATUS:Released

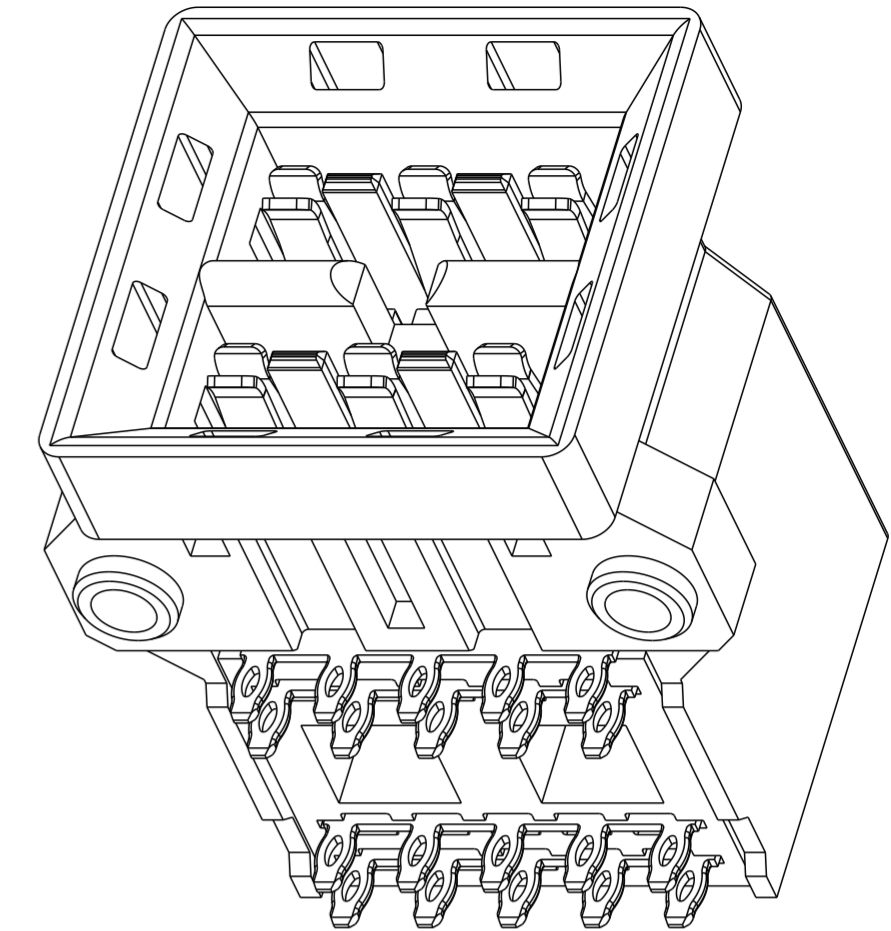
Printed: Jan 23, 2018

R/A ORTHOGONAL PLUG ASSEMBLY 2DC

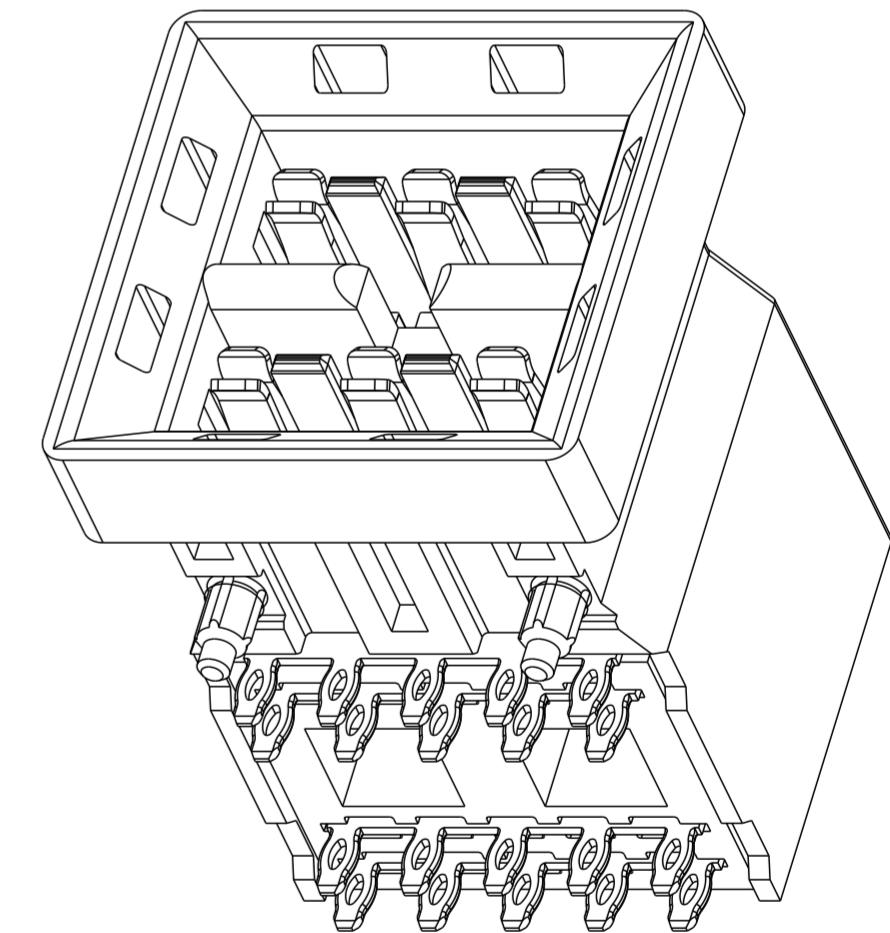
PRODUCT NUMBER	PLATING TYPE	DESCRIPTION
10132640-001LF	GCS	PCB METAL CLIP HOLD DOWN OPTION
10132640-002LF	GCS	BUSBAR BOLT HOLD DOWN OPTION
10132640-003LF	GCS	PCB PLASTIC PEG HOLD DOWN OPTION



10132640-001LF
SCALE 3:1



10132640-002LF
SCALE 3:1



10132640-003LF
SCALE 3:1

NOTES:

- CONNECTOR MATERIALS:
HOUSING: HIGH TEMP THERMOPLASTIC, BLACK
UL94 V-0 COMPLIANT
CONTACTS: COPPER ALLOY
- PRODUCT SPECIFICATION: GS-12-1342.
APPLICATION SPECIFICATION: GS-20-0452.
PACKAGE IN TRAYS, PER SPECIFICATION: GS-14-2479.
- PRODUCT MARK:
PART NUMBER AND DATE CODE TO BE MARKED ON THIS SURFACE .
THE MARK CAN BE OMITTED IF THERE IS NOT ENOUGH SPACE ON THIS SURFACE.
- MINIMAL NOMINAL BUSBAR & PCB THICKNESS: 1.60 mm
- COPPER PLATING THICKNESS IN CENTER OF VIA-HOLE CAN BE
NO MORE THAN 0.003 LESS THAN OTHER AREAS.
- ALL HOLE SIZES ARE FINISHED HOLE SIZES UNLESS OTHERWISE NOTED.
- USE STANDARD #4 X 40 UNC SCREW FOR MOUNTING HOLES IF APPLICABLE.
- PLASTIC PEG MOUNTING HOLES ARE UNPLATED.
Ø 2.85 ± 0.10 FOR PRESS-FIT TAILS
- CONNECTOR KEEP OUT ZONE.
- THIS PRODUCT MEETS EUROPEAN UNION DIRECTIVES AND OTHER COUNTRY
REGULATIONS AS DESCRIBED IN GS-47-0004.

Amphenol
FCi

© 2016 AFCI

spec ref	-	dr	Chris Gieski	2015/02/03	projection	mm	size	A2	scale	4:1
tolerance std	ASME Y14.5	eng	Vicking Liu	2018/01/23			ecn no	-	product family - rel level Released	
TOLERANCES UNLESS OTHERWISE SPECIFIED		chr	Feng Zheng	2018/01/23			rel level	Released		
surface	ASME Y14.5	appr	Pai-Ming Zheng	2018/01/23			cat. no.	-		
	linear	0.X	±0.5	Amphenol FCi	title R/A ORTHOGONAL PLUG ASSEMBLY 2DC PWRMAX CONNECTOR SYSTEM		dwg no 10132640	rev A		
		0.XX	±0.25		Product - Customer Draw		sheet 7 of 7			
	angular	0°	±2°							

PDS: Rev :A

STATUS:Released

Printed: Jan 23, 2018

X-ON Electronics

Largest Supplier of Electrical and Electronic Components

Click to view similar products for [Heavy Duty Power Connectors](#) category:

Click to view products by [Amphenol](#) manufacturer:

Other Similar products are found below :

[1424439](#) [1424438](#) [09330062652](#) [2-8675P1](#) [605601-1](#) [6340G1](#) [6341G1](#) [6360G1](#) [6373G1](#) [6374g2](#) [6396G1](#) [647757-1](#) [66394-4](#) [6643411-1](#)
[6646058-2](#) [6646137-1](#) [6646138-1](#) [6646348-1](#) [6646479-1](#) [6646608-1](#) [6646786-1](#) [6646940-1](#) [6651091-1](#) [6651525-1](#) [6651529-1](#) [6651778-1](#)
[6651788-1](#) [696465-1](#) [696475-1](#) [73000005059](#) [73000005349](#) [73000005642](#) [73080255059](#) [73080965046](#) [765-15-0080A](#) [765-16-0080B](#)
[789.700-44](#) [789.700-54](#) [80-1010](#) [80-9](#) [827381-1](#) [829992-1](#) [902-77-02113](#) [PL00U-301-10D10](#) [PM103MOOLOO](#) [PM16S1620S32-50](#)
[PM212MOOLOO](#) [PM309FOOLOO](#) [PM324FOOLCH](#) [PMHPAF11S03](#)