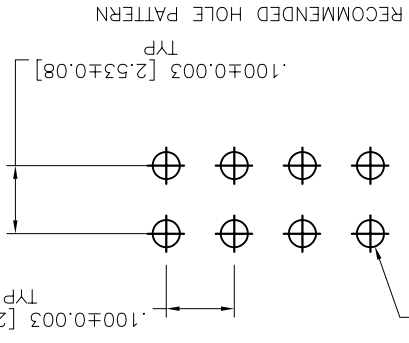
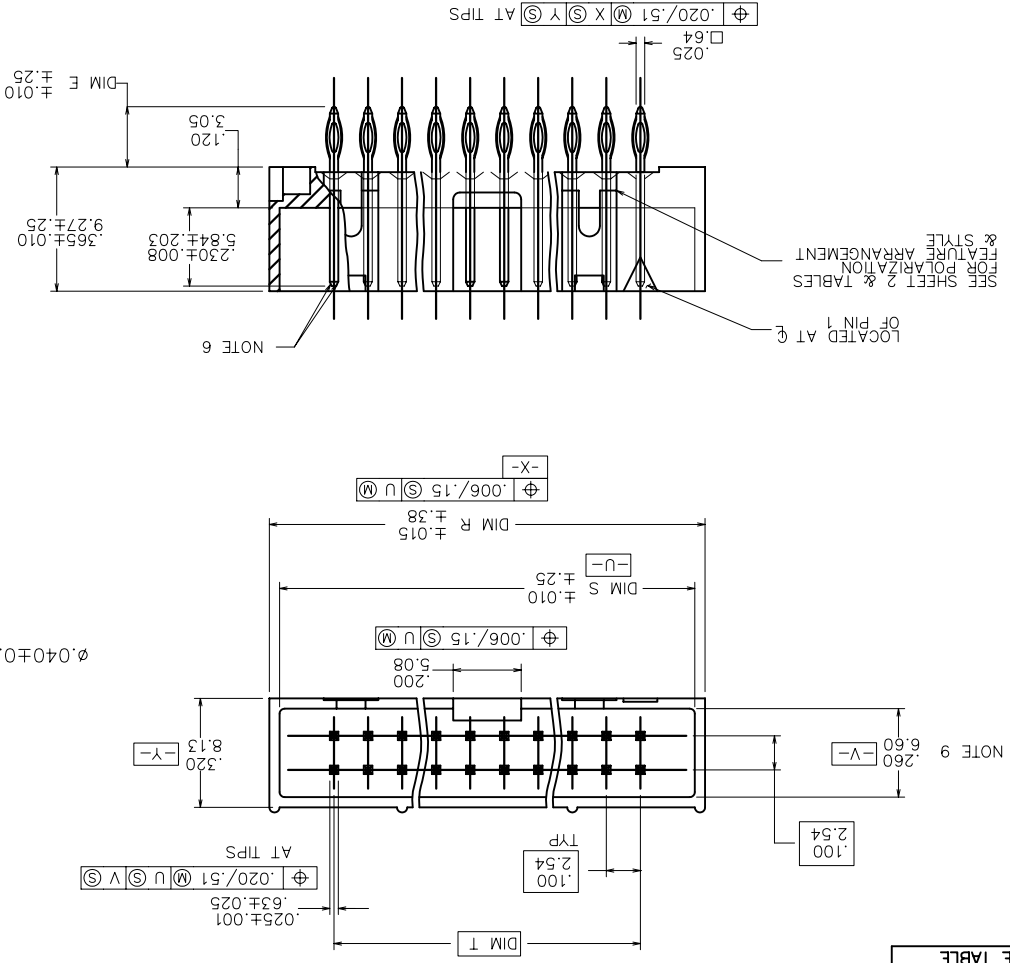


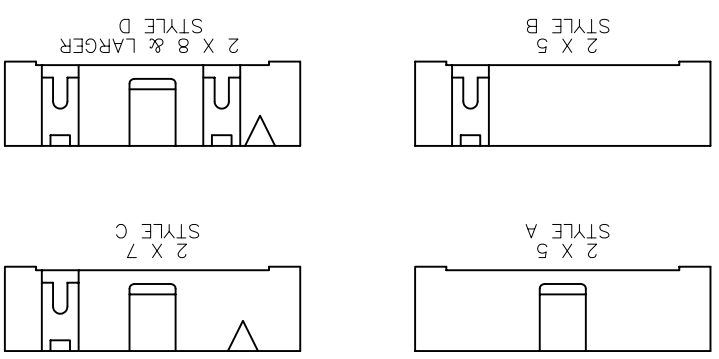
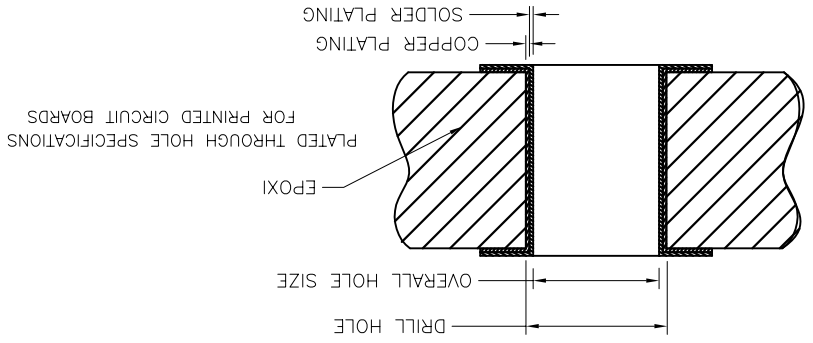
PRODUCT NUMBER  
SEE TABLE



mat'l. code		surface	ISO 1302	tolerance	ISO 406 ISO 1101	projection	QUICKIE	product family
ecn no		dr	date	tolerances unless otherwise specified			title	
A	M07-0178	MHT	04/04/07	angles	XX.01/XX.03	INCH/MM	EON PRESS FIT HDR. ASSY	
B	M07-0295	MHT	6/25/07	linear	XXX.006/XXX.013	scale	SLIM LINE 4 WALL	
C	M07-0489	MHT	11/13/07	or #2	XXXX.0020/XXXX.0051	4:1		
D	M08-0174	MHT	7/01/08	dr	M. HERNADEZ			dwg no
E	M08-0210	MHT	7/16/08	engr	M.BARRIOS			sheet 1 of 5 size
F	M08-0222	AGS	08/08/08	chr	M.BARRIOS			10073456
revision		sheet		M.BARRIOS		9/28/06		Product Customer Drawing
1	F	1	F	M.BARRIOS		9/28/06		
2	F	2	F	M.BARRIOS		9/28/06		
3	F	3	F	M.BARRIOS		9/28/06		
4	F	4	F	M.BARRIOS		9/28/06		
5	F	5	F	M.BARRIOS		9/28/06		
index		sheet		M.BARRIOS		9/28/06		

Ag	.037-.043	.037-.043	.037-.043	Ag	[0.0004-0.0006]				
Sn	.037-.043	.037-.043	.037-.043	Sn	-.000016-.000024				
Copper	[0.94-1.09]	[0.94-1.09]	[0.94-1.09]	Copper					
HOLE PLATING	Ag	Ag	Ag	HOLE PLATING					
HOLE DIAMETER	.037-.043	.037-.043	.037-.043	HOLE DIAMETER					
AFTER PLATING	[0.94-1.09]	[0.94-1.09]	[0.94-1.09]	AFTER PLATING					
DRILLED HOLE	.0443-.0463	.0443-.0463	.0443-.0463	DRILLED HOLE					
COPPER PLATING	.001-.003	.001-.003	.001-.003	COPPER PLATING					
TIN LEAD PLATING	[0.0076-0.0127]	[0.0076-0.0127]	[0.0076-0.0127]	TIN LEAD PLATING					
NICKEL PLATING	.0002-.0003	.0002-.0003	.0002-.0003	NICKEL PLATING					
GOLD PLATING	[0.00004-.000008]	[0.00004-.000008]	[0.00004-.000008]	GOLD PLATING					
IMMERSION Sn	-.000039-.000051	-.000039-.000051	-.000039-.000051	IMMERSION Sn					
IMMERSION Ag	[0.0004-0.0006]	[0.0004-0.0006]	[0.0004-0.0006]	IMMERSION Ag					

SURFACE FINISH



PRODUCT NUMBER  
SEE TABLE

NOTES:

- ① MOLDING MATERIAL: 30% GLASS FILLED POLYESTER FLAME RETARDANT PER UL94V-0. COLOR-BLUE.
- ② TERMINAL MATERIAL: PHOSPHOR BRONZE.
- ③ REFER TO TA 556 FOR APPLICATION, TOOLING AND INSTRUCTIONS.
- ④ UNLESS OTHERWISE SPECIFIED, 1° MAX DRAFT PERMISSIBLE ON ALL SURFACES.
- ⑤ LOGO LOCATION OPTIONAL.
- ⑥ TWO NON-CRITICAL SIDES OF PIN TIP NOT PLATED TYP BOTH ENDS.
- ⑦ 3 LBS / .36 KG PIN RETENTION IN BOTH DIRECTIONS.
- ⑧ RECOMMENDED PLATED-THRU-HOLE DIMENSIONS ARE:  
 DRILLED HOLE: .0453/1.151±.0010/.025 DIA  
 COPPER PLATING THICKNESS: .001/.025 TO .003/.076  
 SOLDER PLATING THICKNESS: .0003/.076 TO .0007/.0178  
 OVERALL HOLE SIZE: .040/1.016±.003/.076 DIA  
 ON HEADERS 2 X 20 AND LARGER THE .260/6.6 DIM HAS A MINIMUM SIZE OF .240/6.1.
- ⑩ PIN PLATING-DUPLEX-.350"/.076 Au OVER .500"/1.27UN! ON CONTACT AREA OF PIN AND 40-80µ"/1.02-2.03µ Sn.
- ⑪ PART NUMBER WITH "LF" SUFFIX AT THE END ARE LEAD FREE.
- ⑫ THIS PRODUCT MEETS EUROPEAN UNION DIRECTIVES AND OTHER COUNTRY REGULATION AS DESCRIBED IN GS-22-008.
- ⑬ PLATING OPTIONS:  
 MAY BE EITHER GOLD OR GXT PLATED AT MANUFACTURER'S OPTION.  
 14. THE PRODUCT IS NOT INTENDED TO BE EXPOSED TO A MANUFACTURING SOLDER PROCESS.

mat'l code																				
surface	ISO 1902																			
tolerance	ISO 406 ISO 1101																			
projection																				
product family	QUICKIE																			
title	EON PRESS FIT HDR. ASSY																			
INCH/MM																				
angles	linear	XXXX.000/XXXX.013																		
or #2		XXXX.000/XXXX.013																		
scale	4:1																			
dwg no	10073456																			
sheet 2 of 5 size	A3																			
Product Customer Drawing																				
sheet revision																				
sheet																				



FCJconnect.com

Copyright FCJ

FORM A3

PRODUCT NUMBER	NO OF POS	DIM R	DIM S	DIM T	DIM E	TERMINAL PLATING	STYLE
10073456-001LF	2 X 5	.78/19.81	.72/18.28	.400/10.16	.160/4.06	30u"/.76u Au OVER 50u"/1.27u Ni	A
-002LF					.160/4.06	30u"/.76u GXT OVER 50u"/1.27u Ni	
-003LF					.610/15.49	30u"/.76u Au OVER 50u"/1.27u Ni	NOT TOOLED
-004LF					.610/15.49	30u"/.76u GXT OVER 50u"/1.27u Ni	NOT TOOLED
-005LF					.733/18.62	30u"/.76u Au OVER 50u"/1.27u Ni	NOT TOOLED
-006LF	2 X 5	.78/19.81	.72/18.28	.400/10.16	.733/18.62	30u"/.76u GXT OVER 50u"/1.27u Ni	A
-007LF	2 X 7	.98/24.89	.92/23.37	.600/15.24	.160/4.06	30u"/.76u Au OVER 50u"/1.27u Ni	C
-008LF					.160/4.06	30u"/.76u GXT OVER 50u"/1.27u Ni	
-009LF					.610/15.49	30u"/.76u Au OVER 50u"/1.27u Ni	NOT TOOLED
-010LF					.610/15.49	30u"/.76u GXT OVER 50u"/1.27u Ni	NOT TOOLED
-011LF					.733/18.62	30u"/.76u Au OVER 50u"/1.27u Ni	NOT TOOLED
-012LF	2 X 7	.98/24.89	.92/23.37	.600/15.24	.733/18.62	30u"/.76u GXT OVER 50u"/1.27u Ni	C
-013LF	2 X 8	1.08/27.43	1.02/25.91	.700/17.78	.160/4.06	30u"/.76u Au OVER 50u"/1.27u Ni	D
-014LF					.160/4.06	30u"/.76u GXT OVER 50u"/1.27u Ni	
-015LF					.610/15.49	30u"/.76u Au OVER 50u"/1.27u Ni	NOT TOOLED
-016LF					.610/15.49	30u"/.76u GXT OVER 50u"/1.27u Ni	NOT TOOLED
-017LF					.733/18.62	30u"/.76u Au OVER 50u"/1.27u Ni	NOT TOOLED
-018LF	2 X 8	1.08/27.43	1.02/25.91	.700/17.78	.733/18.62	30u"/.76u GXT OVER 50u"/1.27u Ni	D
-019LF	2 X 10	1.28/32.51	1.22/30.99	.900/22.86	.160/4.06	30u"/.76u Au OVER 50u"/1.27u Ni	D
-020LF					.160/4.06	30u"/.76u GXT OVER 50u"/1.27u Ni	
-021LF					.610/15.49	30u"/.76u Au OVER 50u"/1.27u Ni	NOT TOOLED
-022LF					.610/15.49	30u"/.76u GXT OVER 50u"/1.27u Ni	NOT TOOLED
-023LF					.733/18.62	30u"/.76u Au OVER 50u"/1.27u Ni	NOT TOOLED
10073456-024LF	2 X 10	1.28/32.51	1.22/30.99	.900/22.86	.733/18.62	30u"/.76u GXT OVER 50u"/1.27u Ni	D

mat'l. code		surface		ISO 1902		tolerance		ISO 406		ISO 1101	
date		dr		ecn no		date		tolerances unless otherwise specified		XXJ01/XXJ03	
angles		linear		XXXX.000/XXXX.13		INCH/MM		EON PRESS FIT HDR, ASSY		SLIM LINE 4 WALL	
o.d.		M. HERNADEZ		9/28/06		scale		4:1		product family	
engr		M. BARRIOS		9/28/06		projection		QUICKIE		dwg no	
chr		M. BARRIOS		9/28/06		type		Product Customer Drawing		sheet 3 of 5 size	
apdr		M. BARRIOS		9/28/06		revision		sheet		index	

6 5 4 3 2 1 0

C B A

PRODUCT NUMBER	NO OF POS	DIM R	DIM S	DIM T	DIM E	TERMINAL PLATING	STYLE
10073456-025LF	2 X 12	1.48/37.59	1.42/36.07	1.100/27.94	.160/4.06	30U"/.76u Au OVER 50U"/1.27u Ni	D
-026LF					.160/4.06	30U"/.76u GXT OVER 50U"/1.27u Ni	
-027LF					.610/15.49	30U"/.76u Au OVER 50U"/1.27u Ni	
-028LF					.610/15.49	30U"/.76u GXT OVER 50U"/1.27u Ni	
-029LF					.733/18.62	30U"/.76u Au OVER 50U"/1.27u Ni	
-030LF	2 X 12	1.48/37.59	1.42/36.07	1.100/27.94	.733/18.62	30U"/.76u GXT OVER 50U"/1.27u Ni	D
-031LF	2 X 13	1.58/40.13	1.52/38.61	1.200/30.48	.160/4.06	30U"/.76u Au OVER 50U"/1.27u Ni	D
-032LF					.160/4.06	30U"/.76u GXT OVER 50U"/1.27u Ni	
-033LF					.610/15.49	30U"/.76u Au OVER 50U"/1.27u Ni	
-034LF					.610/15.49	30U"/.76u GXT OVER 50U"/1.27u Ni	
-035LF					.733/18.62	30U"/.76u Au OVER 50U"/1.27u Ni	
-036LF	2 X 13	1.58/40.13	1.52/38.61	1.200/30.48	.733/18.62	30U"/.76u GXT OVER 50U"/1.27u Ni	D
-037LF	2 X 15	1.78/45.21	1.72/43.69	1.400/35.56	.160/4.06	30U"/.76u Au OVER 50U"/1.27u Ni	D
-038LF					.160/4.06	30U"/.76u GXT OVER 50U"/1.27u Ni	
-039LF					.610/15.49	30U"/.76u Au OVER 50U"/1.27u Ni	
-040LF					.610/15.49	30U"/.76u GXT OVER 50U"/1.27u Ni	
-041LF					.733/18.62	30U"/.76u Au OVER 50U"/1.27u Ni	
-042LF	2 X 15	1.78/45.21	1.72/43.69	1.400/35.56	.733/18.62	30U"/.76u GXT OVER 50U"/1.27u Ni	D
-043LF	2 X 17	1.98/50.29	1.92/48.77	1.600/40.64	.160/4.06	30U"/.76u Au OVER 50U"/1.27u Ni	D
-044LF					.160/4.06	30U"/.76u GXT OVER 50U"/1.27u Ni	
-045LF					.610/15.49	30U"/.76u Au OVER 50U"/1.27u Ni	
-046LF					.610/15.49	30U"/.76u GXT OVER 50U"/1.27u Ni	
-047LF					.733/18.62	30U"/.76u Au OVER 50U"/1.27u Ni	
10073456-048LF	2 X 17	1.98/50.29	1.92/48.77	1.600/40.64	.733/18.62	30U"/.76u GXT OVER 50U"/1.27u Ni	D

mat'l. code		surface	ISO 1302	tolerance	ISO 406 ISO 1101	projection	QUICKIE
ltf	ecn no	dr	date	tolerances unless otherwise specified	angles	linear	XXXJ01/XXXJ03
					linear	XXXJ.005/XXXJ0.13	
					or #2	XXXXX.020/XXXXX0.051	scale 4:1
					dr	M. HERNADEZ	9/28/06
					engr	M. BARRIOS	9/28/06
					chr	M. BARRIOS	9/28/06
					apdr	M. BARRIOS	9/28/06
sheet	revision						
index							

product family

title

EON PRESS FIT HDR, ASSY

INCH/MM

projection

dwg no 10073456

sheet 4 of 5 size A3

Product Customer Drawing



FDconnect.com

Copyright FCI

FORM A3

PRODUCT NUMBER	NO OF POS	DIM R	DIM S	DIM T	DIM E	TERMINAL PLATING	STYLE
10073456-049LF	2 X 20	2.28/57.91	2.22/56.39	1.900/48.26	.160/4.06	30u"/.76u Au OVER 50u"/1.27u NI	D
-050LF					.160/4.06	30u"/.76u GXT OVER 50u"/1.27u NI	
-051LF					.610/15.49	30u"/.76u Au OVER 50u"/1.27u NI	NOT TOOLED
-052LF					.610/15.49	30u"/.76u GXT OVER 50u"/1.27u NI	NOT TOOLED
-053LF					.733/18.62	30u"/.76u Au OVER 50u"/1.27u NI	NOT TOOLED
-054LF	2 X 20	2.28/57.91	2.22/56.39	1.900/48.26	.733/18.62	30u"/.76u GXT OVER 50u"/1.27u NI	D
-055LF	2 X 22	2.48/62.99	2.42/61.47	2.100/53.34	.160/4.06	30u"/.76u Au OVER 50u"/1.27u NI	D
-056LF					.160/4.06	30u"/.76u GXT OVER 50u"/1.27u NI	
-057LF					.610/15.49	30u"/.76u Au OVER 50u"/1.27u NI	NOT TOOLED
-058LF					.610/15.49	30u"/.76u GXT OVER 50u"/1.27u NI	NOT TOOLED
-059LF					.733/18.62	30u"/.76u Au OVER 50u"/1.27u NI	NOT TOOLED
-060LF	2 X 22	2.48/62.99	2.42/61.47	2.100/53.34	.733/18.62	30u"/.76u GXT OVER 50u"/1.27u NI	D
-061LF	2 X 25	2.78/70.61	2.72/69.09	2.400/60.96	.160/4.06	30u"/.76u Au OVER 50u"/1.27u NI	D
-062LF					.160/4.06	30u"/.76u GXT OVER 50u"/1.27u NI	
-063LF					.610/15.49	30u"/.76u Au OVER 50u"/1.27u NI	NOT TOOLED
-064LF					.610/15.49	30u"/.76u GXT OVER 50u"/1.27u NI	NOT TOOLED
-065LF					.733/18.62	30u"/.76u Au OVER 50u"/1.27u NI	NOT TOOLED
-066LF	2 X 25	2.78/70.61	2.72/69.09	2.400/60.96	.733/18.62	30u"/.76u GXT OVER 50u"/1.27u NI	D
-068LF					.160/4.06	30u"/.76u GXT OVER 50u"/1.27u NI	
-069LF					.610/15.49	30u"/.76u Au OVER 50u"/1.27u NI	NOT TOOLED
-070LF					.610/15.49	30u"/.76u GXT OVER 50u"/1.27u NI	NOT TOOLED
-071LF					.733/18.62	30u"/.76u Au OVER 50u"/1.27u NI	NOT TOOLED
-072LF	2 X 30	3.28/83.31	3.22/81.79	2.900/73.66	.733/18.62	30u"/.76u GXT OVER 50u"/1.27u NI	D
-073LF	2 X 17	1.98/50.29	1.92/48.77	1.600/40.64	.160/4.06	50u"/1.27u Au OVER 50u"/1.27u NI	D
-074LF	2 X 5	.78/19.81	.72/18.29	.400/10.16	.110/2.79	30u"/.76u GXT OVER 50u"/1.27u NI	A
-075LF	2 X 10	1.28/32.51	1.22/30.99	.900/22.86	.110/2.79	30u"/.76u GXT OVER 50u"/1.27u NI	D
-076LF	2 X 12	1.48/37.59	1.42/36.07	1.100/27.94	.110/2.79	30u"/.76u GXT OVER 50u"/1.27u NI	D
-201LF	2 X 5	.78/19.81	.72/18.29	.400/10.16	.160/4.06	SEE NOTE 10	A
10073456-219LF	2 X 10	1.28/32.51	1.22/30.99	.900/22.86	.160/4.06	SEE NOTE 10	D

mat'l. code		surface		ISO 1902		tolerance		ISO 406		ISO 1101		projection		product family		QUICKIE	
ltf		ecn no		dr		date		tolerances unless otherwise specified		XXE01/XXE03		INCH/MM		title		EON PRESS FIT HDR, ASSY	
angles		linear		XXXX.000/XXXX.13		XXXX.000/XXXX.031		scale		4:1		dwg no		sheet 5 of 5 size		10073456	
appd		M. BARRIOS		9/28/06		engr		M. BARRIOS		9/28/06		dtr		M. HERMANDEZ		9/28/06	
revision		sheet		index		revision		sheet		index		type		Product Customer Drawing		A3	

## X-ON Electronics

Largest Supplier of Electrical and Electronic Components

*Click to view similar products for [Headers & Wire Housings](#) category:*

*Click to view products by [Amphenol](#) manufacturer:*

Other Similar products are found below :

[95000-104TRLF](#) [10135584-644402LF](#) [DF62W-EP2022PCA](#) [95000-106TRLF](#) [DF62W-2022SCA](#) [DF62W-EP2022PC](#) [2203348](#) [DF62W-2022SC](#) [1084018](#) [1029039](#) [1084017](#) [802-10-012-10-002000](#) [1112640](#) [1112639](#) [000-34000](#) [0009482033](#) [0009507031](#) [57102-S06-03LF](#) [57202-S52-04LF](#) [PCN6-15S-2.5E](#) [0039019024](#) [58102-G61-06LF](#) [582553-1](#) [0009485154](#) [0009508121](#) [0022285053](#) [0050291907](#) [018731A](#) [LY20-4P-DT1-P1E-BR](#) [02.125.8002.8](#) [60101931](#) [60598-1 \(Cut Strip\)](#) [M1625-3R/100](#) [61062-3](#) [61082-181009](#) [636-1427](#) [638009-1](#) [641938-9](#) [641991-4](#) [644168-1](#) [647662-1](#) [65039-019ELF](#) [65817-002LF](#) [65817-015LF](#) [65863-015LF](#) [66207-023LF](#) [67016-026LF](#) [67046-001LF](#) [67095-007LF](#) [67230-005LF](#)