

**COMPLEMENTARY OUTPUT HALL EFFECT LATCH****AH276****General Description**

The AH276 is an integrated Hall sensor with output driver designed for electronic commutation of brushless DC motor applications. The device includes an on-chip Hall sensor for magnetic sensing, an amplifier that amplifies the Hall voltage, a Schmitt trigger to provide switching hysteresis for noise rejection, a temperature compensation circuit to compensate the temperature drift of Hall sensitivity and two complementary open-collector drivers for sinking large load current. It also includes an internal band-gap regulator which is used to provide bias voltage for internal circuits.

Placing the device in a variable magnetic field, if the magnetic flux density is larger than threshold  $B_{OP}$ , the pin DO will be turned low (on) and pin DOB will be turned high (off). This output state is held until the magnetic flux density reverses and falls below  $B_{RP}$ , then causes DO to be turned high (off) and DOB turned low (on).

AH276 is available in TO-94 (SIP-4L) package.

**Features**

- On-Chip Hall Sensor
- 3.5V to 16V Supply Voltage
- 350mA (avg) Output Sink Current
- Reversed Supply Voltage Protection
- Build in Over Temperature Protection Function
- -20°C to 85°C Operating Temperature
- Low Profile TO-94 (SIP-4L) Package
- ESD Rating: 300V (Machine Model)

**Applications**

- Dual-Coil Brushless DC Motor
- Dual-Coil Brushless DC Fan
- Revolution Counting
- Speed Measurement

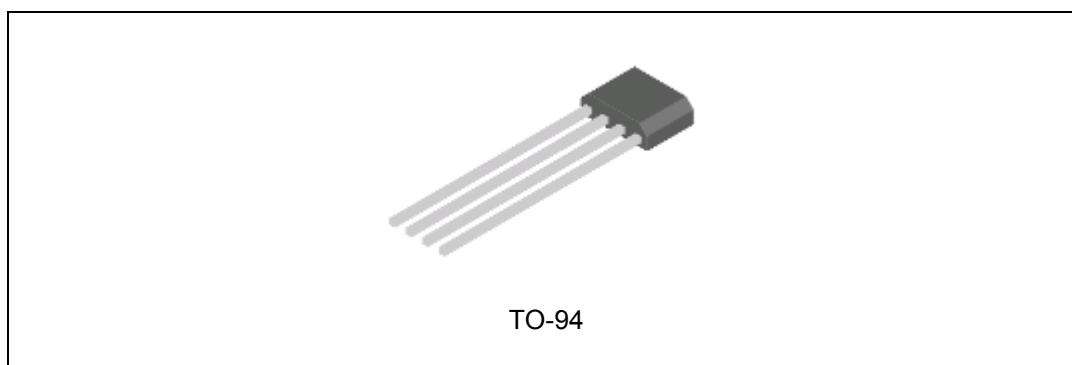


Figure 1. Package Type of AH276

**COMPLEMENTARY OUTPUT HALL EFFECT LATCH**

**AH276**

**Pin Configuration**

Z4 Package  
(TO-94)

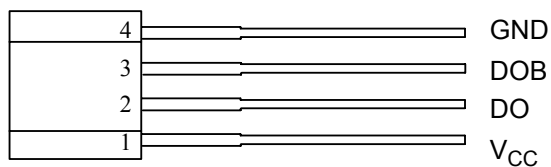


Figure 2. Pin Configuration of AH276 (Front View)

**Pin Description**

| Pin Number | Pin Name        | Function       |
|------------|-----------------|----------------|
| 1          | V <sub>CC</sub> | Supply voltage |
| 2          | DO              | Output 1       |
| 3          | DOB             | Output 2       |
| 4          | GND             | Ground         |

**COMPLEMENTARY OUTPUT HALL EFFECT LATCH**

**AH276**

**Functional Block Diagram**

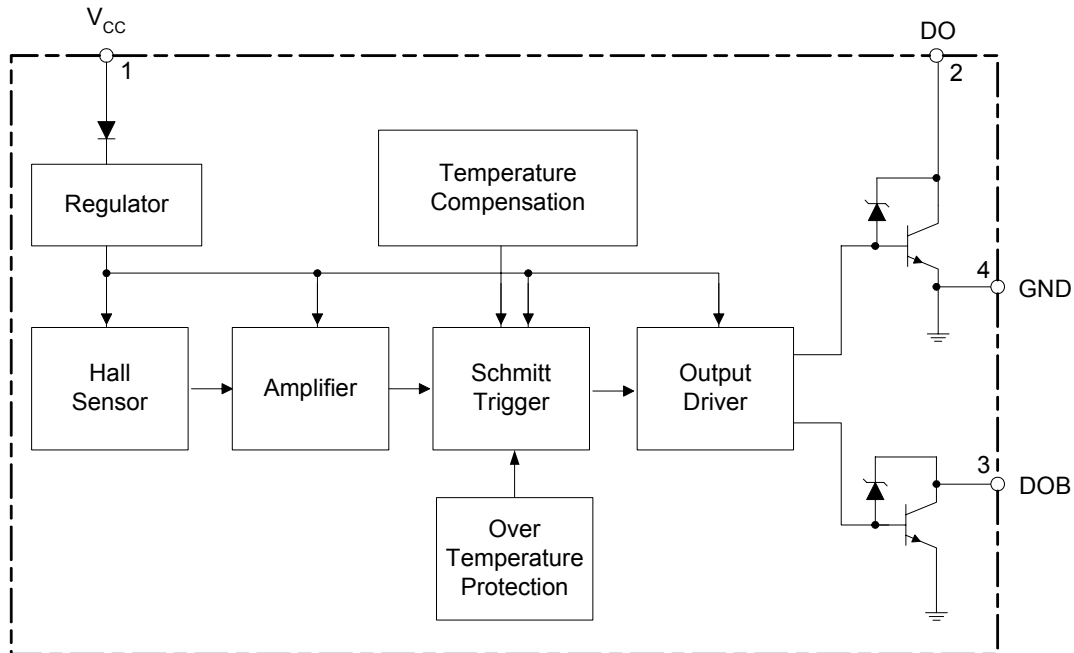
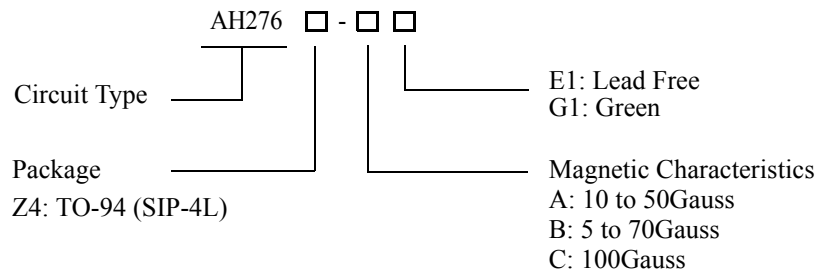


Figure 3. Functional Block Diagram of AH276

**Ordering Information**



| Package | Temperature Range | Part Number |             | Marking ID |            | Packing Type |
|---------|-------------------|-------------|-------------|------------|------------|--------------|
|         |                   | Lead Free   | Green       | Lead Free  | Green      |              |
| TO-94   | -20 to 85 °C      | AH276Z4-AE1 | AH276Z4-AG1 | AH276Z4-E1 | AH276Z4-G1 | Bulk         |
|         |                   | AH276Z4-BE1 | AH276Z4-BG1 | AH276Z4-E1 | AH276Z4-G1 | Bulk         |
|         |                   | AH276Z4-CE1 | AH276Z4-CG1 | AH276Z4-E1 | AH276Z4-G1 | Bulk         |

BCD Semiconductor's Pb-free products, as designated with "E1" suffix in the part number, are RoHS compliant. Products with "G1" suffix are available in green package.

**COMPLEMENTARY OUTPUT HALL EFFECT LATCH****AH276****Absolute Maximum Ratings (Note 1)** $(T_A=25^{\circ}\text{C})$ 

| Parameter                  | Symbol              | Value         | Unit                               |
|----------------------------|---------------------|---------------|------------------------------------|
| Supply Voltage             | $V_{CC}$            | 20            | V                                  |
| Reverse Protection Voltage | $V_{RCC}$           | -20           | V                                  |
| Magnetic Flux Density      | B                   | Unlimited     | Gauss                              |
| Output Current             | Continuous          | 350           | mA                                 |
|                            | Hold                | 550           | mA                                 |
|                            | Peak (start up)     | 750           | mA                                 |
| Power Dissipation          | $P_D$               | 550           | mW                                 |
| Thermal Resistance         | Die to atmosphere   | $\theta_{JA}$ | 227<br>$^{\circ}\text{C}/\text{W}$ |
|                            | Die to package case | $\theta_{JC}$ | 49<br>$^{\circ}\text{C}/\text{W}$  |
| Storage Temperature        | $T_{STG}$           | -50 to 150    | $^{\circ}\text{C}$                 |
| ESD (Machine Model)        |                     | 300           | V                                  |
| ESD (Human Body Model)     |                     | 2500          | V                                  |

Note 1: Stresses greater than those listed under "Absolute Maximum Ratings" may cause permanent damage to the device. These are stress ratings only, and functional operation of the device at these or any other conditions beyond those indicated under "Recommended Operating Conditions" is not implied. "Absolute Maximum Ratings" for extended period may affect device reliability.

**Recommended Operating Conditions** $(T_A=25^{\circ}\text{C})$ 

| Parameter           | Symbol   | Min | Max | Unit               |
|---------------------|----------|-----|-----|--------------------|
| Supply Voltage      | $V_{CC}$ | 3.5 | 16  | V                  |
| Ambient Temperature | $T_A$    | -20 | 85  | $^{\circ}\text{C}$ |



**COMPLEMENTARY OUTPUT HALL EFFECT LATCH** **AH276**

**Electrical Characteristics**

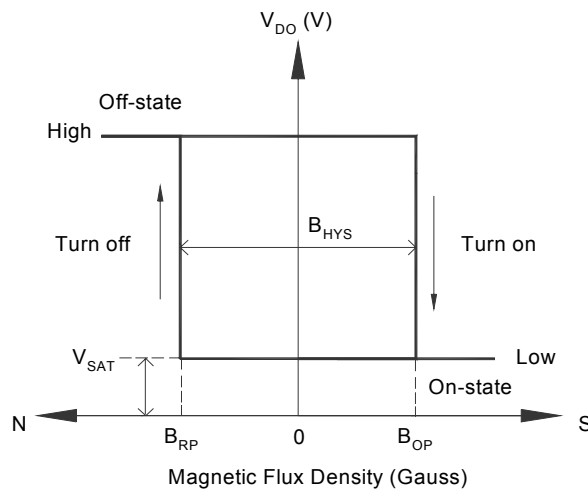
( $T_A=25^{\circ}\text{C}$ ,  $V_{CC}=14\text{V}$ , unless otherwise specified)

| Parameter                      | Symbol             | Test Condition                            | Min | Typ  | Max | Unit               |
|--------------------------------|--------------------|---|-----|------|-----|--------------------|
| Output Saturation Voltage      | $V_{SAT}$          | $V_{CC}=3.5\text{V}$ , $I_O=100\text{mA}$ |     | 0.3  |     | V                  |
|                                |                    | $I_O=350\text{mA}$                        |     | 0.35 | 0.6 | V                  |
| Output Leakage Current         | $I_{OL}$           | $V_{CE}=16\text{V}$                       |     | 0.1  | 10  | $\mu\text{A}$      |
| Supply Current                 | $I_{CC}$           | $V_{CC}=16\text{V}$ , Output Open         |     | 12   | 16  | mA                 |
| Output Rise Time               | $t_r$              | $R_L=820\Omega$ , $C_L=20\text{pF}$       |     | 3.0  | 10  | $\mu\text{s}$      |
| Output Fall Time               | $t_f$              | $R_L=820\Omega$ , $C_L=20\text{pF}$       |     | 0.3  | 1.5 | $\mu\text{s}$      |
| Switch Time Differential       | $\Delta t$         | $R_L=820\Omega$ , $C_L=20\text{pF}$       |     | 3.0  | 10  | $\mu\text{s}$      |
| Output Zener Breakdown Voltage | $V_Z$              |   |     | 55   |     | V                  |
| Thermal Protection Temperature | TSD                |   |     | 178  |     | $^{\circ}\text{C}$ |
| Thermal Protection Hysteresis  | $\Delta\text{TSD}$ |   |     | 40   |     | $^{\circ}\text{C}$ |

**Magnetic Characteristics**

( $T_A=25^{\circ}\text{C}$ )

| Parameter       | Symbol    | Grade | Min  | Typ | Max | Unit  |
|-----------------|-----------|-------|------|-----|-----|-------|
| Operating Point | $B_{OP}$  | A     | 10   |     | 50  | Gauss |
|                 |           | B     | 5    |     | 70  | Gauss |
|                 |           | C     |      |     | 100 | Gauss |
| Releasing Point | $B_{RP}$  | A     | -50  |     | -10 | Gauss |
|                 |           | B     | -70  |     | -5  | Gauss |
|                 |           | C     | -100 |     |     | Gauss |
| Hysteresis      | $B_{HYS}$ |       |      | 75  |     | Gauss |



**COMPLEMENTARY OUTPUT HALL EFFECT LATCH**

**AH276**

**Magnetic Characteristics (Continued)**

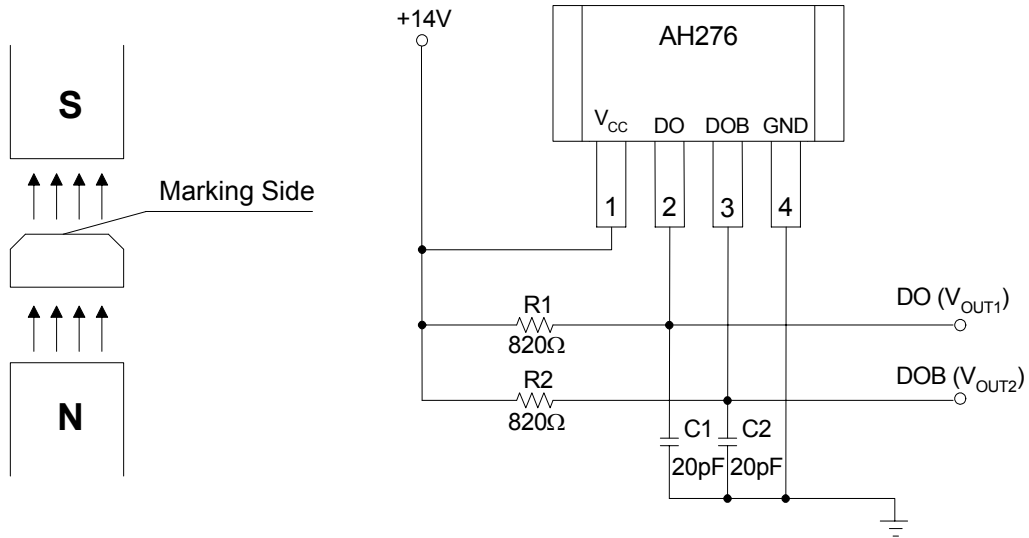


Figure 4. Basic Test Circuit

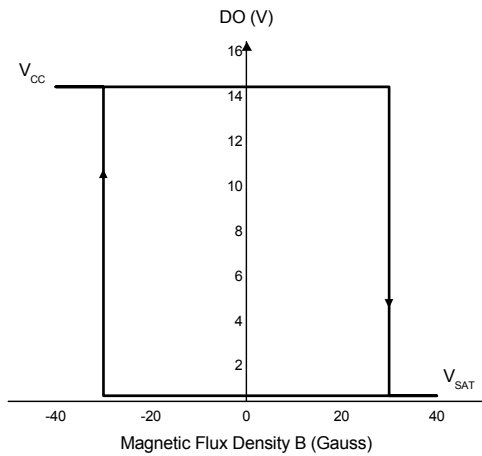


Figure 5. V<sub>DO</sub> vs. Magnetic Flux Density

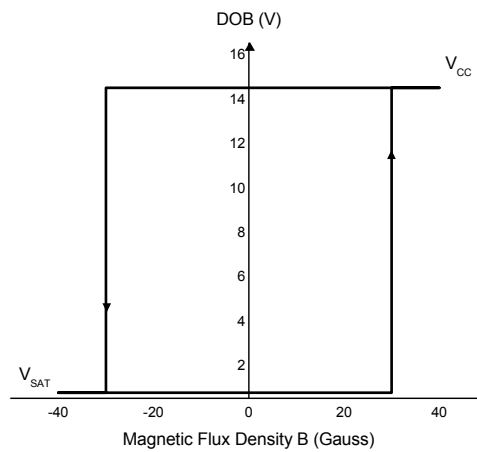


Figure 6. V<sub>DOB</sub> vs. Magnetic Flux Density



**COMPLEMENTARY OUTPUT HALL EFFECT LATCH**

**AH276**

**Typical Performance Characteristics**

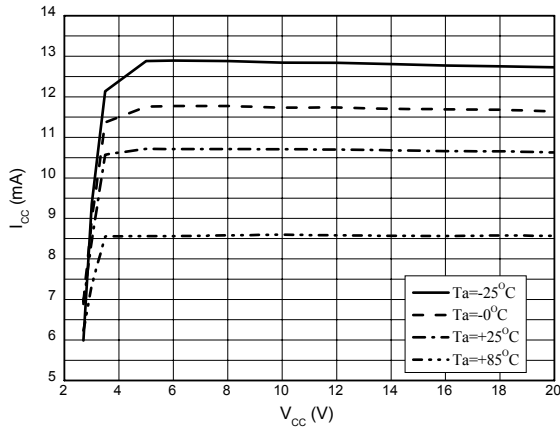


Figure 7.  $I_{CC}$  vs.  $V_{CC}$

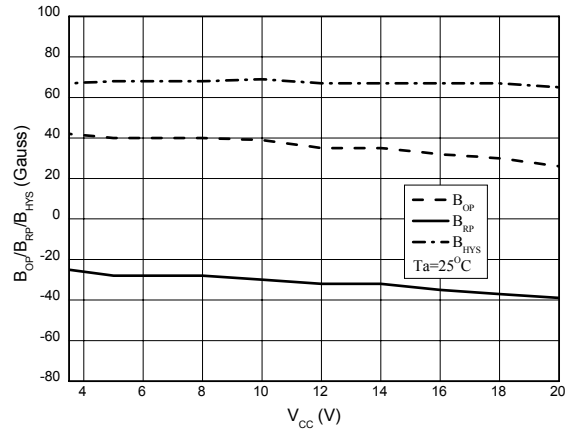


Figure 8.  $B_{OP}/B_{RP}/B_{HYS}$  vs.  $V_{CC}$

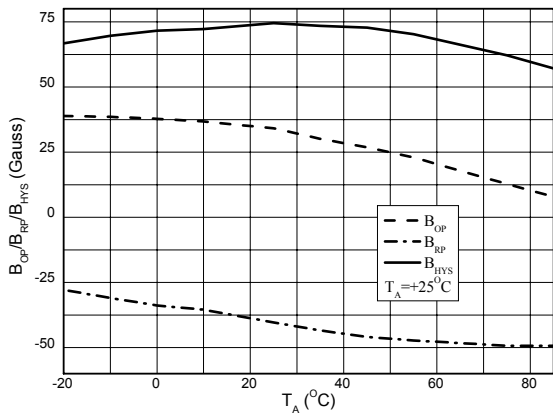


Figure 9.  $B_{OP}/B_{RP}/B_{HYS}$  vs. Ambient Temperature

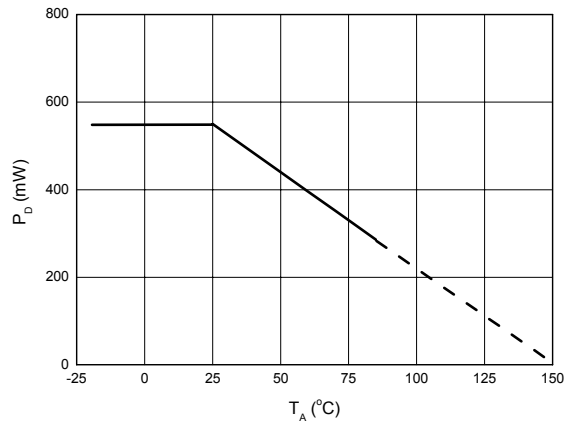


Figure 10.  $P_D$  vs. Ambient Temperature

**COMPLEMENTARY OUTPUT HALL EFFECT LATCH**

**AH276**

**Typical Performance Characteristics (Continued)**

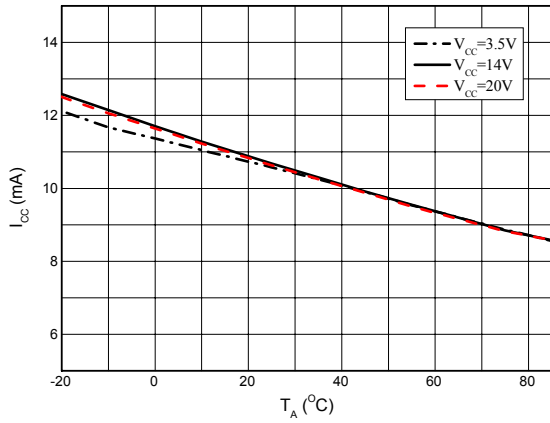


Figure 11.  $I_{CC}$  vs. Ambient Temperature

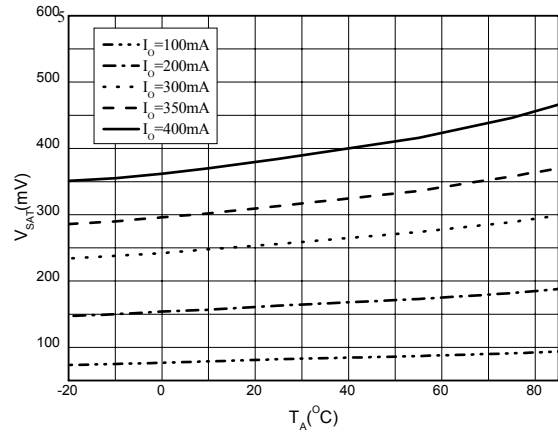


Figure 12.  $V_{SAT}$  vs. Ambient Temperature

**Typical Applications**

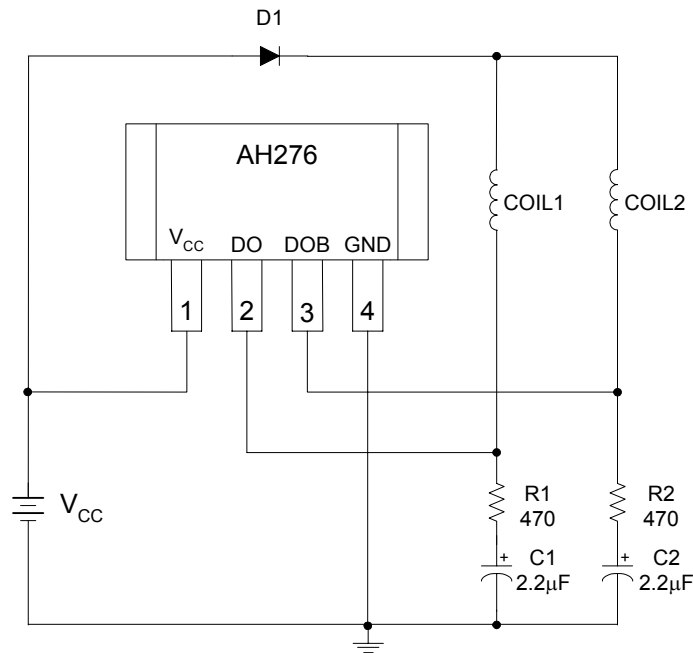


Figure 12. Typical Application Circuit





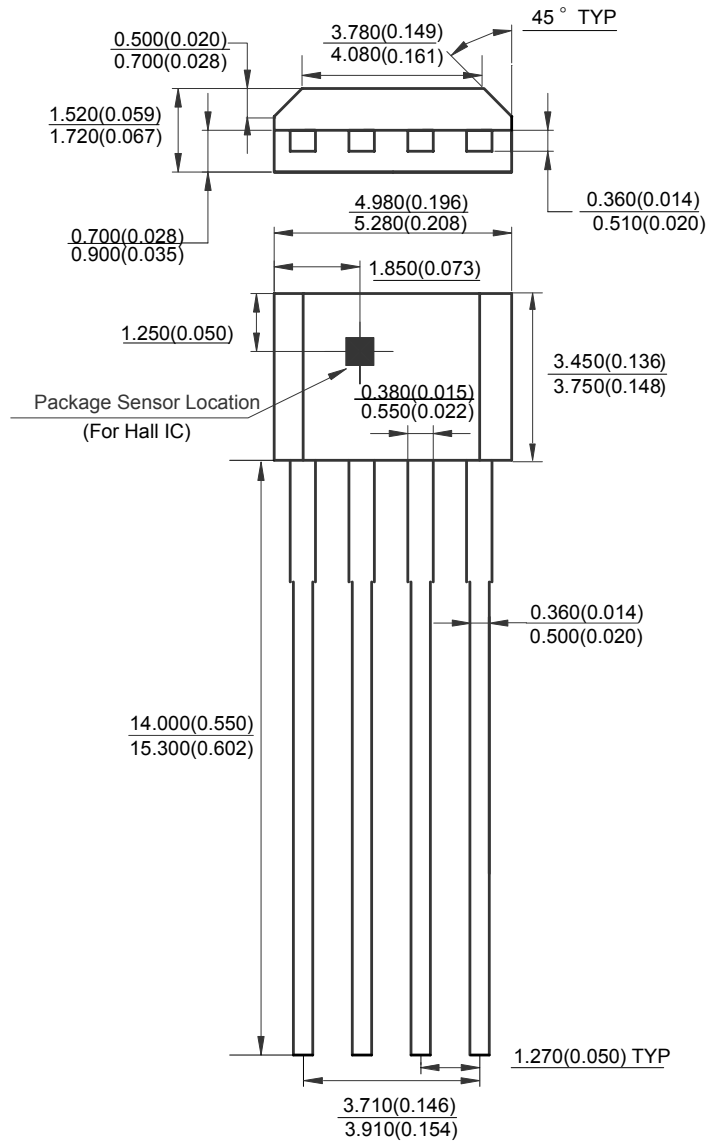
**COMPLEMENTARY OUTPUT HALL EFFECT LATCH**

**AH276**

**Mechanical Dimensions**

**TO-94**

**Unit: mm(inch)**





## **BCD Semiconductor Manufacturing Limited**

<http://www.bcdsemi.com>

### **IMPORTANT NOTICE**

BCD Semiconductor Manufacturing Limited reserves the right to make changes without further notice to any products or specifications herein. BCD Semiconductor Manufacturing Limited does not assume any responsibility for use of any its products for any particular purpose, nor does BCD Semiconductor Manufacturing Limited assume any liability arising out of the application or use of any its products or circuits. BCD Semiconductor Manufacturing Limited does not convey any license under its patent rights or other rights nor the rights of others.

---

#### **MAIN SITE**

##### **- Headquarters**

##### **BCD Semiconductor Manufacturing Limited**

No. 1600, Zi Xing Road, Shanghai Zizhu Science-based Industrial Park, 200241, China  
Tel: +86-21-24162266, Fax: +86-21-24162277

##### **- Wafer Fab**

##### **Shanghai SIM-BCD Semiconductor Manufacturing Co., Ltd.**

800 Yi Shan Road, Shanghai 200233, China  
Tel: +86-21-6485 1491, Fax: +86-21-5450 0008

#### **REGIONAL SALES OFFICE**

##### **Shenzhen Office**

##### **Shanghai SIM-BCD Semiconductor Manufacturing Co., Ltd., Shenzhen Office**

Unit A Room 1203, Skyworth Bldg., Gaoxin Ave. 1.S., Nanshan District, Shenzhen, China  
Tel: +86-755-8826 7951  
Fax: +86-755-8826 7865

##### **Taiwan Office**

##### **BCD Semiconductor (Taiwan) Company Limited**

4F, 298-1, Rui Guang Road, Nei-Hu District, Taipei, Taiwan  
Tel: +886-2-2656 2808  
Fax: +886-2-2656 2806

##### **USA Office**

##### **BCD Semiconductor Corp.**

30920 Huntwood Ave. Hayward, CA 94544, USA  
Tel : +1-510-324-2988  
Fax: +1-510-324-2788

## X-ON Electronics

Largest Supplier of Electrical and Electronic Components

*Click to view similar products for [Board Mount Hall Effect/Magnetic Sensors](#) category:*

*Click to view products by [Diodes Incorporated](#) manufacturer:*

Other Similar products are found below :

[ACHS-7194-500E](#) [ACHS-7193-500E](#) [ACHS-7193-000E](#) [ACHS-7194-000E](#) [G-MRCO-017](#) [A1104LUA-T](#) [A1212LUA-T](#) [HGPRDT005A](#)  
[AH1808-P-A](#) [AH277AZ4-AG1](#) [AH373-WG-7](#) [AV-10379](#) [AV-10448](#) [A1211LUA-T](#) [SS41C](#) [AH1803-WG-7](#) [AH1806-P-B](#) [AH1894-Z-7](#)  
[MA700GQ-P](#) [ATS601LSGTN-HT-WU4-T](#) [ATS601LSGTN-LT-WU4-T](#) [TLE4917](#) [TLE4946-1L](#) [50017859-003](#) [TY-13101](#) [TLE4976L](#)  
[AH1751-WG-7-A](#) [SS85CA](#) [BU52002GUL-E2](#) [MAX13366GTE/V+](#) [A1128LUA-T](#) [AH173-WG-7-B](#) [MA702GQ-P](#) [BU52003GUL-E2](#)  
[AH277AZ4-BG1](#) [TLE49614MXTSA1](#) [AH3376-P-B](#) [TLE4941](#) [AH3382-P-B](#) [AH3372-W-7](#) [AH9250-W-7](#) [AH211Z4-AG1](#) [AH9251-W-7](#)  
[TLE4905L](#) [AH3373-W-7](#) [AH3377-W-7](#) [AH3360-FT4-7](#) [AH3376-W-7](#) [TLE4961-3M](#) [AS5601-ASOT](#)