

RAMO 22 T - Pushbutton, green, collar round, M8

1.10.010.001/0551



General information

Form	flush
Color of front ring	black
Form of collar	round
Color lens	green

Dimensions

Mounting hole	22.3 mm
---------------	---------

Mechanical design

Contact	momentary, 1 NO
Contact materials	gold
Mounting	ring nut
Terminals	M8
Reverse polarity protection	yes
Labeling	individually with FLEXLAB
Torque for nut ring	1.2 Nm

Mechanical characteristics

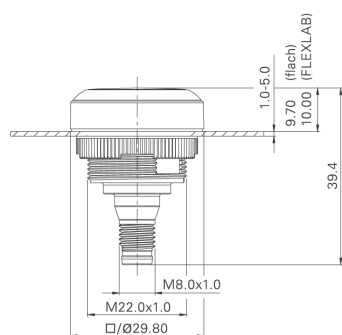
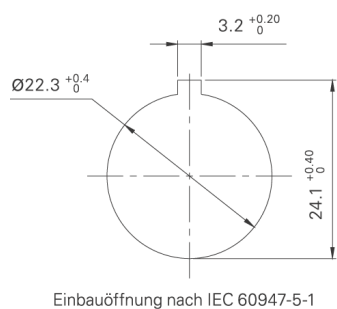
Operating force F1 (+/-20 %)	5 N
------------------------------	-----

Electrical characteristics

Rated voltage min.	DC 0.02 V V
Rated current min.	0.01 mA
Rated voltage max.	DC 35 V
Rated current max.	100 mA
Rated power max.	1 W (ohmsche Last) W
LED power supply	DC 24 V +/- 20% / 10 mA +/- 20%

Other specifications

Ambient temp. operating min.	-40 °C
Ambient temp. operating max.	+70 °C
B10	500,000 cycle
Degree of protection from front side	IP 66, IP 67, IP 69K
Degree of protection from rear side	IP 66 (je nach verwendetem Stecker IP 67 oder IP 69K)
Environmental resistance	acc. to IEC 60068-2-14, -30, -33 and -78
Operating life cycles	250,000
ROHS compliant	yes
REACH compliant	yes



X-ON Electronics

Largest Supplier of Electrical and Electronic Components

Click to view similar products for [Pushbutton Switches](#) category:

Click to view products by [Rafi](#) manufacturer:

Other Similar products are found below :

[LW1L-M1C10V-A](#) [LW2L-A1C20M-GD](#) [LW2L-M1C20M-A](#) [60324L](#) [M7E-HRN2](#) [67021K512](#) [67081K512X](#) [701PB580](#) [719-5504-000](#)
[MDPSSGLFS](#) [810KSV30B](#) [FLT 2U EE 01A](#) [MML21KA3ABK](#) [MML23KA3AC05K-001](#) [MML23KW3AA01W](#) [8418K2](#) [8646AB6X718UL](#)
[8646ABUL](#) [FSDWH](#) [9001KXRK](#) [9001T8BK](#) [9533CD4+U574+U4922](#) [1203MRA](#) [A22EM01S](#) [A595](#) [1202A6](#) [12037A2ULCSA](#) [1203A2UL](#)
[ABD122N-B](#) [1211390004](#) [ABN111-Y](#) [ABN400-R](#) [1211500044](#) [1211580012](#) [1212MRA](#) [1232A6NF](#) [RA3CSH6A](#) [1241.1183.7047](#)
[1241.2511](#) [1241.3428](#) [1223A2ULCSA](#) [1223MRA](#) [1232AX2119](#) [1241.1183.8000](#) [1241.1183.8029](#) [1241.2506](#) [1241.2606](#) [12MA6](#)
[1301940184](#) [RELBARF6X10\(PLASTIC\)](#)