

TIP31
TIP31A
TIP31B
TIP31C
SILICON
NPN POWER TRANSISTORS

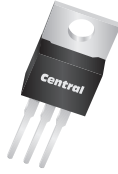


www.centrasemi.com

DESCRIPTION:

The CENTRAL SEMICONDUCTOR TIP31 series devices are silicon NPN epitaxial-base power transistors designed for power amplifier and high speed switching applications.

MARKING: FULL PART NUMBER



TO-220 CASE

MAXIMUM RATINGS: ($T_C=25^\circ\text{C}$ unless otherwise noted)

	SYMBOL	TIP31	TIP31A	TIP31B	TIP31C	UNITS
Collector-Base Voltage	V_{CBO}	40	60	80	100	V
Collector-Emitter Voltage	V_{CEO}	40	60	80	100	V
Emitter-Base Voltage	V_{EBO}		5.0			V
Continuous Collector Current	I_C		3.0			A
Peak Collector Current	I_{CM}		5.0			A
Continuous Base Current	I_B		1.0			A
Power Dissipation	P_D		40			W
Power Dissipation ($T_A=25^\circ\text{C}$)	P_D		2.0			W
Operating and Storage Junction Temperature	T_J, T_{stg}		-65 to +150			$^\circ\text{C}$
Thermal Resistance	θ_{JA}		62.5			$^\circ\text{C/W}$
Thermal Resistance	θ_{JC}		3.13			$^\circ\text{C/W}$

ELECTRICAL CHARACTERISTICS: ($T_C=25^\circ\text{C}$ unless otherwise noted)

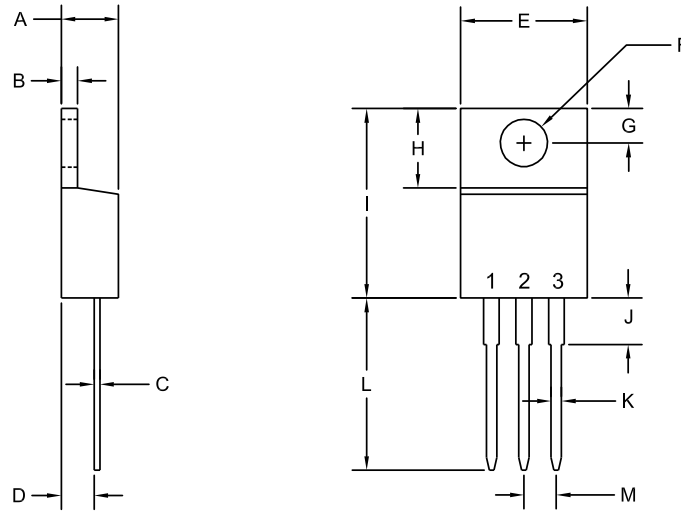
SYMBOL	TEST CONDITIONS	MIN	TYP	MAX	UNITS
I_{CEO}	$V_{CE}=30\text{V}$ (TIP31, TIP31A)			0.3	mA
I_{CEO}	$V_{CE}=60\text{V}$ (TIP31B, TIP31C)			0.3	mA
I_{CES}	$V_{CE}=\text{Rated } V_{CEO}$			0.2	mA
I_{EBO}	$V_{EB}=5.0\text{V}$			1.0	mA
BV_{CEO}	$I_C=30\text{mA}$ (TIP31)	40			V
BV_{CEO}	$I_C=30\text{mA}$ (TIP31A)	60			V
BV_{CEO}	$I_C=30\text{mA}$ (TIP31B)	80			V
BV_{CEO}	$I_C=30\text{mA}$ (TIP31C)	100			V
$V_{CE(SAT)}$	$I_C=3.0\text{A}, I_B=375\text{mA}$			1.2	V
$V_{BE(ON)}$	$V_{CE}=4.0\text{V}, I_C=3.0\text{A}$			1.8	V
h_{FE}	$V_{CE}=4.0\text{V}, I_C=1.0\text{A}$	25			
h_{FE}	$V_{CE}=4.0\text{V}, I_C=3.0\text{A}$	10		50	
h_{fe}	$V_{CE}=10\text{V}, I_C=0.5\text{A}, f=1.0\text{kHz}$	20			
f_T	$V_{CE}=10\text{V}, I_C=0.5\text{A}, f=1.0\text{MHz}$	3.0			MHz
t_{on}	$I_C=1.0\text{A}, I_{B1}=I_{B2}=0.1\text{A}, R_L=30\Omega$		0.3		μs
t_{off}	$I_C=1.0\text{A}, I_{B1}=I_{B2}=0.1\text{A}, R_L=30\Omega$		1.0		μs

R0 (12-June 2014)

TIP31
 TIP31A
 TIP31B
 TIP31C
 SILICON
 NPN POWER TRANSISTORS



TO-220 CASE - MECHANICAL OUTLINE



R2

LEAD CODE:

- 1) Base
- 2) Collector
- 3) Emitter
- Tab) Collector

MARKING:
 FULL PART NUMBER

SYMBOL	INCHES		MILLIMETERS	
	MIN	MAX	MIN	MAX
A	0.170	0.190	4.31	4.82
B	0.045	0.055	1.15	1.39
C	0.013	0.026	0.33	0.65
D	0.083	0.107	2.10	2.72
E	0.394	0.417	10.01	10.60
F (DIA)	0.140	0.157	3.55	4.00
G	0.100	0.118	2.54	3.00
H	0.230	0.270	5.85	6.85
I	0.560	0.625	14.23	15.87
J	-	0.250	-	6.35
K	0.025	0.038	0.64	0.96
L	0.500	0.579	12.70	14.70
M	0.090	0.110	2.29	2.79

TO-220 (REV: R2)

R0 (12-June 2014)



OUTSTANDING SUPPORT AND SUPERIOR SERVICES

PRODUCT SUPPORT

Central's operations team provides the highest level of support to insure product is delivered on-time.

- Supply management (Customer portals)
- Inventory bonding
- Consolidated shipping options
- Custom bar coding for shipments
- Custom product packing

DESIGNER SUPPORT/SERVICES

Central's applications engineering team is ready to discuss your design challenges. Just ask.

- Free quick ship samples (2nd day air)
- Online technical data and parametric search
- SPICE models
- Custom electrical curves
- Environmental regulation compliance
- Customer specific screening
- Up-screening capabilities
- Special wafer diffusions
- PbSn plating options
- Package details
- Application notes
- Application and design sample kits
- Custom product and package development

REQUESTING PRODUCT PLATING

1. If requesting Tin/Lead plated devices, add the suffix " TIN/LEAD" to the part number when ordering (example: 2N2222A TIN/LEAD).
2. If requesting Lead (Pb) Free plated devices, add the suffix " PBFREE" to the part number when ordering (example: 2N2222A PBFREE).

CONTACT US

Corporate Headquarters & Customer Support Team

Central Semiconductor Corp.
145 Adams Avenue
Hauppauge, NY 11788 USA
Main Tel: (631) 435-1110
Main Fax: (631) 435-1824
Support Team Fax: (631) 435-3388
www.centrasemi.com

Worldwide Field Representatives:
www.centrasemi.com/wwreps

Worldwide Distributors:
www.centrasemi.com/wwdistributors

For the latest version of Central Semiconductor's **LIMITATIONS AND DAMAGES DISCLAIMER**, which is part of Central's Standard Terms and Conditions of sale, visit: www.centrasemi.com/terms

X-ON Electronics

Largest Supplier of Electrical and Electronic Components

Click to view similar products for [Bipolar Transistors - BJT category](#):

Click to view products by [Central Semiconductor manufacturer](#):

Other Similar products are found below :

[619691C](#) [MCH4017-TL-H](#) [MJ15024/WS](#) [MJ15025/WS](#) [BC546/116](#) [BC556/FSC](#) [BC557/116](#) [BSW67A](#) [HN7G01FU-A\(T5L,F,T](#)
[NJVMJD148T4G](#) [NSVMMBT6520LT1G](#) [NTE187A](#) [NTE195A](#) [NTE2302](#) [NTE2330](#) [NTE2353](#) [NTE316](#) [IMX9T110](#) [NTE63](#) [NTE65](#)
[C4460](#) [SBC846BLT3G](#) [2SA1419T-TD-H](#) [2SA1721-O\(TE85L,F\)](#) [2SA1727TLP](#) [2SA2126-E](#) [2SB1202T-TL-E](#) [2SB1204S-TL-E](#) [2SC5488A-](#)
[TL-H](#) [2SD2150T100R](#) [SP000011176](#) [FMC5AT148](#) [2N2369ADCSM](#) [2SB1202S-TL-E](#) [2SC2412KT146S](#) [2SC4618TLN](#) [2SC5490A-TL-H](#)
[2SD1816S-TL-E](#) [2SD1816T-TL-E](#) [CMXT2207 TR](#) [CPH6501-TL-E](#) [MCH4021-TL-E](#) [BC557B](#) [TTC012\(Q\)](#) [BULD128DT4](#) [JANTX2N3810](#)
[Jantx2N5416](#) [US6T6TR](#) [KSF350](#) [068071B](#)