

2N3866
2N3866A

**NPN SILICON
HIGH FREQUENCY TRANSISTOR**



TO-39 CASE



www.centrasemi.com

DESCRIPTION:

The CENTRAL SEMICONDUCTOR 2N3866 and 2N3866A are Silicon NPN RF Transistors, mounted in a hermetically sealed package, designed for high frequency amplifier and oscillator applications.

MARKING: FULL PART NUMBER

MAXIMUM RATINGS: ($T_A=25^\circ\text{C}$ unless otherwise noted)

	SYMBOL		UNITS
Collector-Base Voltage	V_{CBO}	55	V
Collector-Emitter Voltage	V_{CEO}	30	V
Emitter-Base Voltage	V_{EBO}	3.5	V
Continuous Collector Current	I_C	0.4	A
Continuous Base Current	I_B	2.0	A
Power Dissipation ($T_C=25^\circ\text{C}$)	P_D	5.0	W
Operating and Storage Junction Temperature	T_J, T_{stg}	-65 to +200	$^\circ\text{C}$
Thermal Resistance	θ_{JC}	35	$^\circ\text{C/W}$

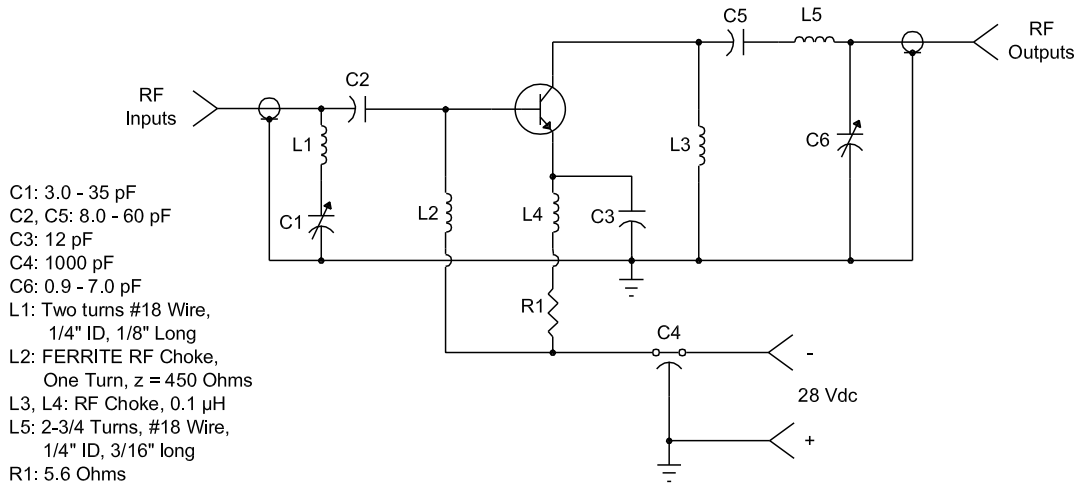
ELECTRICAL CHARACTERISTICS: ($T_A=25^\circ\text{C}$ unless otherwise noted)

SYMBOL	TEST CONDITIONS	MIN	MAX	UNITS
I_{CEO}	$V_{CE}=28\text{V}$		20	μA
I_{CEV}	$V_{CE}=55\text{V}, V_{BE(OFF)}=1.5\text{V}$		0.1	mA
I_{CEV}	$V_{CE}=30\text{V}, V_{BE(OFF)}=1.5\text{V}, T_C=200^\circ\text{C}$		5.0	mA
I_{EBO}	$V_{EB}=3.5\text{V}$		0.1	mA
BV_{CER}	$I_C=5.0\text{mA}, R_{BE}=10\Omega$	55		V
BV_{CBO}	$I_C=500\mu\text{A}$	55		V
BV_{CEO}	$I_C=5.0\text{mA}$	30		V
BV_{EBO}	$I_E=100\mu\text{A}$	3.5		V
$V_{CE(SAT)}$	$I_C=100\text{mA}, I_B=20\text{mA}$		1.0	V
h_{FE}	$V_{CE}=5.0\text{V}, I_C=50\text{mA}$ (2N3866)	10	200	
h_{FE}	$V_{CE}=5.0\text{V}, I_C=50\text{mA}$ (2N3866A)	25	200	
h_{FE}	$V_{CE}=5.0\text{V}, I_C=360\text{mA}$	5.0		
f_T	$V_{CE}=15\text{V}, I_C=50\text{mA}, f=200\text{MHz}$ (2N3866)	500		MHz
f_T	$V_{CE}=15\text{V}, I_C=50\text{mA}, f=200\text{MHz}$ (2N3866A)	800		MHz
C_{ob}	$V_{CB}=28\text{V}, I_E=0, f=1.0\text{MHz}$		3.0	pF
G_{PE}	$V_{CC}=28\text{V}, P_{out}=1.0\text{W}, f=400\text{MHz}$ (Figure 1)		10	dB
η	$V_{CC}=28\text{V}, P_{out}=1.0\text{W}, f=400\text{MHz}$ (Figure 1)		45	%

R2 (15-September 2010)

2N3866
2N3866A

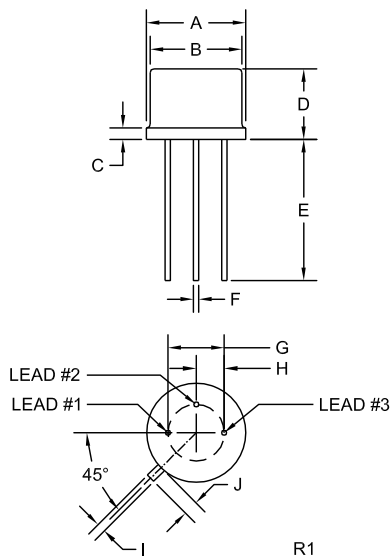
NPN SILICON
HIGH FREQUENCY TRANSISTOR



- C1: 3.0 - 35 pF
- C2, C5: 8.0 - 60 pF
- C3: 12 pF
- C4: 1000 pF
- C6: 0.9 - 7.0 pF
- L1: Two turns #18 Wire,
1/4" ID, 1/8" Long
- L2: FERRITE RF Choke,
One Turn, z = 450 Ohms
- L3, L4: RF Choke, 0.1 μH
- L5: 2-3/4 Turns, #18 Wire,
1/4" ID, 3/16" long
- R1: 5.6 Ohms

Figure 1. 400MHz Test Circuit

TO-39 CASE - MECHANICAL OUTLINE



SYMBOL	DIMENSIONS			
	INCHES		MILLIMETERS	
	MIN	MAX	MIN	MAX
A (DIA)	0.335	0.370	8.51	9.40
B (DIA)	0.315	0.335	8.00	8.51
C	-	0.040	-	1.02
D	0.240	0.260	6.10	6.60
E	0.500	-	12.70	-
F (DIA)	0.016	0.021	0.41	0.53
G (DIA)	0.200		5.08	
H	0.100		2.54	
I	0.028	0.034	0.71	0.86
J	0.029	0.045	0.74	1.14

TO-39 (REV: R1)

LEAD CODE:

- 1) Emitter
- 2) Base
- 3) Collector

MARKING: FULL PART NUMBER

R2 (15-September 2010)



OUTSTANDING SUPPORT AND SUPERIOR SERVICES

PRODUCT SUPPORT

Central's operations team provides the highest level of support to insure product is delivered on-time.

- Supply management (Customer portals)
- Inventory bonding
- Consolidated shipping options
- Custom bar coding for shipments
- Custom product packing

DESIGNER SUPPORT/SERVICES

Central's applications engineering team is ready to discuss your design challenges. Just ask.

- Free quick ship samples (2nd day air)
- Online technical data and parametric search
- SPICE models
- Custom electrical curves
- Environmental regulation compliance
- Customer specific screening
- Up-screening capabilities
- Special wafer diffusions
- PbSn plating options
- Package details
- Application notes
- Application and design sample kits
- Custom product and package development

REQUESTING PRODUCT PLATING

1. If requesting Tin/Lead plated devices, add the suffix "TIN/LEAD" to the part number when ordering (example: 2N2222A TIN/LEAD).
2. If requesting Lead (Pb) Free plated devices, add the suffix "PBFREE" to the part number when ordering (example: 2N2222A PBFREE).

CONTACT US

Corporate Headquarters & Customer Support Team

Central Semiconductor Corp.
145 Adams Avenue
Hauppauge, NY 11788 USA
Main Tel: (631) 435-1110
Main Fax: (631) 435-1824
Support Team Fax: (631) 435-3388
www.centrasemi.com

Worldwide Field Representatives:
www.centrasemi.com/wwreps

Worldwide Distributors:
www.centrasemi.com/wwdistributors

For the latest version of Central Semiconductor's **LIMITATIONS AND DAMAGES DISCLAIMER**, which is part of Central's Standard Terms and Conditions of sale, visit: www.centrasemi.com/terms

X-ON Electronics

Largest Supplier of Electrical and Electronic Components

Click to view similar products for [Bipolar Transistors - BJT category](#):

Click to view products by [Central Semiconductor manufacturer](#):

Other Similar products are found below :

[619691C](#) [MCH4017-TL-H](#) [MJ15024/WS](#) [MJ15025/WS](#) [BC546/116](#) [BC556/FSC](#) [BC557/116](#) [BSW67A](#) [HN7G01FU-A\(T5L,F,T](#)
[NJVMJD148T4G](#) [NSVMMBT6520LT1G](#) [NTE187A](#) [NTE195A](#) [NTE2302](#) [NTE2330](#) [NTE2353](#) [NTE316](#) [IMX9T110](#) [NTE63](#) [NTE65](#)
[C4460](#) [SBC846BLT3G](#) [2SA1419T-TD-H](#) [2SA1721-O\(TE85L,F\)](#) [2SA1727TLP](#) [2SA2126-E](#) [2SB1202T-TL-E](#) [2SB1204S-TL-E](#) [2SC5488A-](#)
[TL-H](#) [2SD2150T100R](#) [SP000011176](#) [FMC5AT148](#) [2N2369ADCSM](#) [2SB1202S-TL-E](#) [2SC2412KT146S](#) [2SC4618TLN](#) [2SC5490A-TL-H](#)
[2SD1816S-TL-E](#) [2SD1816T-TL-E](#) [CMXT2207 TR](#) [CPH6501-TL-E](#) [MCH4021-TL-E](#) [BC557B](#) [TTC012\(Q\)](#) [BULD128DT4](#) [JANTX2N3810](#)
[Jantx2N5416](#) [US6T6TR](#) [KSF350](#) [068071B](#)