

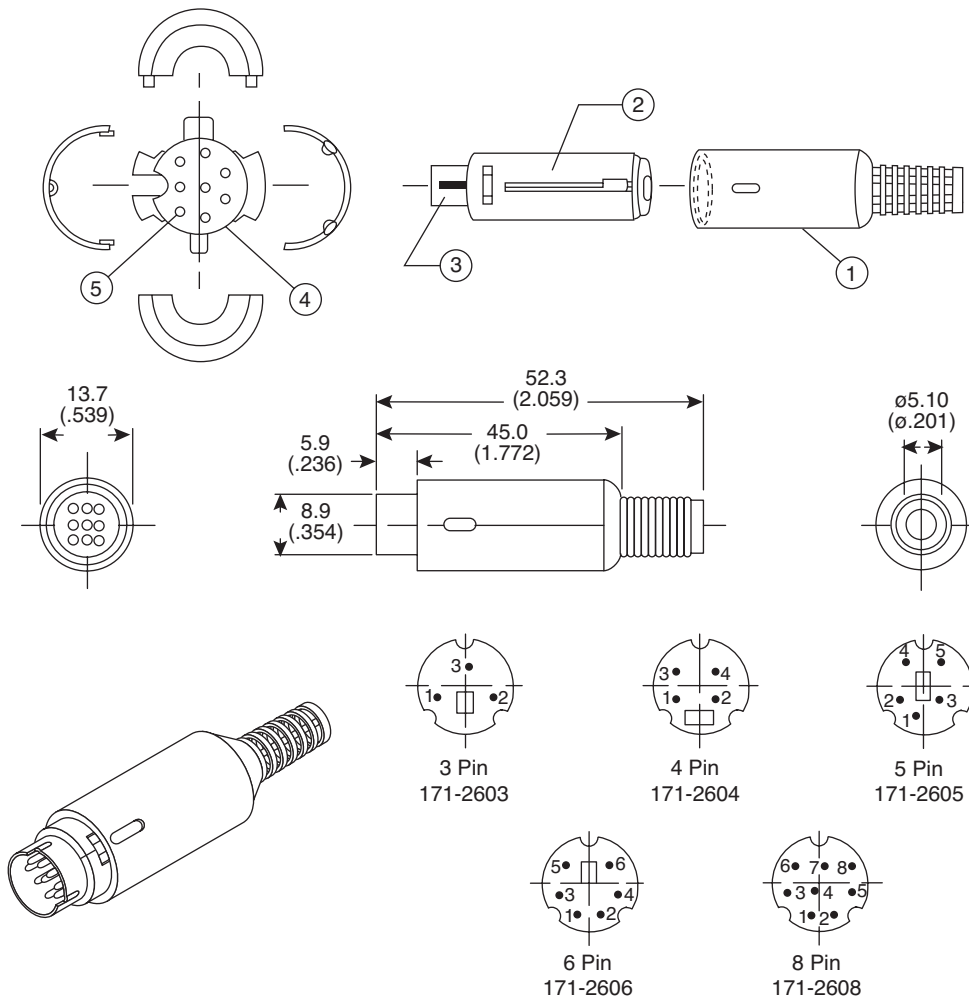
Mini-Din Plugs

171-2603, 171-2604, 171-2605,
171-2606, 171-2608

KOBICONN

Mini-Din Plugs

171-2603, 171-2604, 171-2605, 171-2606, 171-2608



SPECIFICATIONS

Voltage Rating:	100VAC 1A max.
Insulation Resistance:	50MΩ @ 500VDC
Dielectric:	500VAC for 1 minute
Contact Resistance:	30m Ω max.
Max. Acceptable Wire Size:	16AWG
Boot:	PVC
Housing:	ABS
Shell:	nickel plated brass
Insulator:	polycarbonate
Pins:	silver plated brass
Solder Temperature:	200°C within 1 sec.
Assembly:	yes

Dimensions: mm (in.)

ASSEMBLY SPECIFICATIONS

1	Cover:	PVC black
2	Con:	A.B.S.
3	Shell:	bronze, nickel plated
4	Insulator:	PC (or nylon)
5	Pins:	bronze

Date Last Revised: 6/21/12

Available from Mouser Electronics
1-800-346-6873
www.mouser.com

KC-300256

Specifications are subject to change without notice. No liability or warranty implied by this information. Environmental compliance based on producer documentation.

X-ON Electronics

Authorized Distributor

Click to view similar products for [Circular DIN Connectors](#) *category:*

[M83723/73W12036](#) [D38999/20WD15SA](#) [D38999/20WG41BC](#) [983-6K22-12SN-L](#) [983-6KE22-12SN-L](#) [983-6S10-05PY](#) [983-6SE10-05SY-L](#) [ACA3102E16-9SB\(F80\)](#)
[D38999/26WG41BB](#) [D38999/26WG41BC](#)