

Green-Cap (ELECTRIC DOUBLE LAYER CAPACITORS)



DB Snap-in Terminal Type,
Standard Series



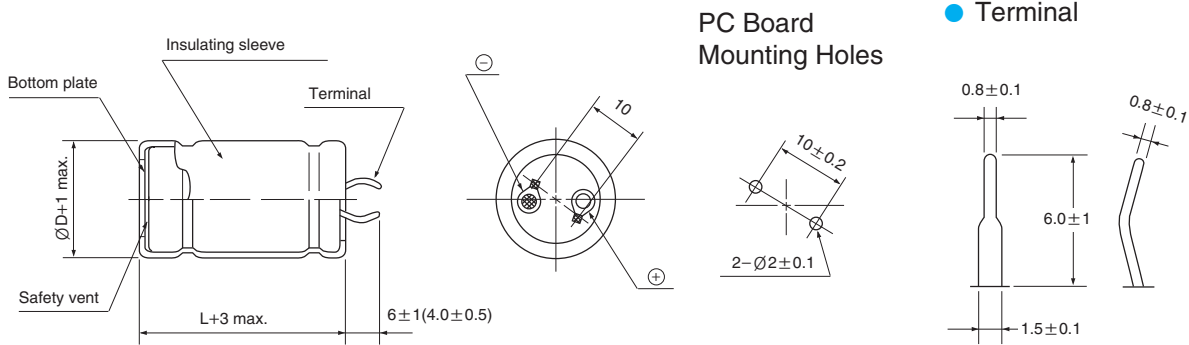
Green-Cap (EDLC)

- Endurance : 2.5V 70°C 1000 hours, 2.7V 60°C 1000 hours
- The middle size and high capacitance, low resistance
- Charge and discharge efficiency are higher than in batteries

Item	Characteristics	
Operating temperature range	-25 ~ +70°C	-40 ~ +60°C
Rated Voltage	2.5 VDC	2.7 VDC
Capacitance tolerance	-20 ~ +20% or 0% ~ +20% at 20°C	
Low temperature characteristics	Capacitance change	Within ±5% of initial value at +20°C
	Internal resistance	Within 150% of initial value at +20°C
Endurance (2.5V:70°C, 2.7V:60°C)	Test time	1000 hours
	Capacitance change	Within ±30% of initial specified value
	Internal resistance	Less than 100% of initial specified value
Shelf life (70°C)	After 1000 hours no load test same as endurance	
Life Time at RT ⁽¹⁾	10 years	(1) $\Delta CI < 30\%$ and $\Delta ESR < 200\%$ of initially specified value, respectively and $LC <$ specified value
Cycle Life (25°C) ⁽¹⁾⁽²⁾	500,000 cycles	(2) Cycle : between rated voltage and half rated voltage under constant current at 25°C

● DRAWING

Unit : mm



● CHARACTERISTIC LIST & DIMENSIONS

Rated Voltage	Capacitance (F)	ESR, 1KHz (mΩ)	ESR, DC (mΩ)	LC (72hr) (mA Max.)	Max Continuous Current(A)	Max Peak Current(A)	Specific Energy		Weight (g)	Volume (ml)	Dimension $\varnothing D \times L$ (mm)
							(Wh/kg)	(Wh/L)			
2.5	100	15.0	35.0	0.25	5.3	27.7	3.62	5.07	24	17	22 × 45
	200	10.0	20.0	0.50	10.4	50.0	4.13	5.46	42	32	30 × 45
	300	6.0	15.0	0.75	15.3	68.2	4.20	5.41	62	48	35 × 50
	360	6.0	12.0	0.90	18.5	84.6	4.17	5.41	75	58	35 × 60
	400	6.0	10.0	10.0	20.8	100.0	4.63	6.01	75	58	35 × 60
2.7	100	8.0	10.0	0.27	6.4	67.5	4.82	5.92	21	17	22 × 45
	200	7.0	9.0	0.54	12.3	96.4	5.33	6.37	38	32	30 × 45
	300	3.5	5.0	0.91	18.8	162.0	5.33	6.31	57	48	35 × 50
	360	3.2	3.8	0.97	22.7	205.2	5.21	6.31	70	58	35 × 60
	400	3.2	3.8	1.08	25	214.2	5.79	7.02	70	58	35 × 60

※ $\varnothing 35$ 4 pin type terminal drawing is same see pages 146.

X-ON Electronics

Largest Supplier of Electrical and Electronic Components

Click to view similar products for [Supercapacitors](#) / [Ultracapacitors](#) category:

Click to view products by [Samwha](#) manufacturer:

Other Similar products are found below :

[BZ12GA154ZHB](#) [BZ195B273ZNBDM](#) [C-TEC2403-1](#) [C-TEC2410-10](#) [CEM2](#) [KW-5R5C105H-R](#) [KW-5R5C224H-R](#) [KR-5R5C105H-R](#)
[DB5U207M30045HA](#) [DRL106S0TI25RRDAP](#) [DRL226S0TK25RR](#) [106DCN2R7M](#) [SCCR20B335SRB](#) [SCCS30B106SRB](#)
[SCCT30B156SRB](#) [SCCU30B306MRB](#) [SCCW45B107VSB](#) [SCMR14C474MRBA0](#) [SCMR14C474MSBA0](#) [SCMR22C155MRBA0](#)
[SCMR22C155MSBA0](#) [SCMS22C255MRBA0](#) [SCMT22C505MRBA0](#) [SCMT32C755MRBA0](#) [DRL475S0TG20RRDAP](#) [FT0H225ZF](#)
[FCS0H224ZFTBR24](#) [FR0H473ZF](#) [GS206F](#) [DSK-3R3H703T414-HLL](#) [DRE226S0EK25RRDAP](#) [DS5U506M18040BB](#) [SCCV40B506MRB](#)
[NEXCW224Z3.5V10.7X5.5TRF](#) [DBJ-5R5D224T](#) [DB-5R5D155T](#) [GW209F](#) [SCCX50B207VSB](#) [PAS0815LS2R5105](#) [MAL222090009E3](#)
[MAL222091006E3](#) [MAL222091008E3](#) [PAS0815LN2R7205](#) [SCCY62B307VSB](#) [SCMR18C105MSBA0](#) [EEC-HL0E107](#) [EEC-HL0E506](#)
[SCMR18D105MRBB0](#) [MAL219691154E3](#) [HVZ0E107NF-LT](#)