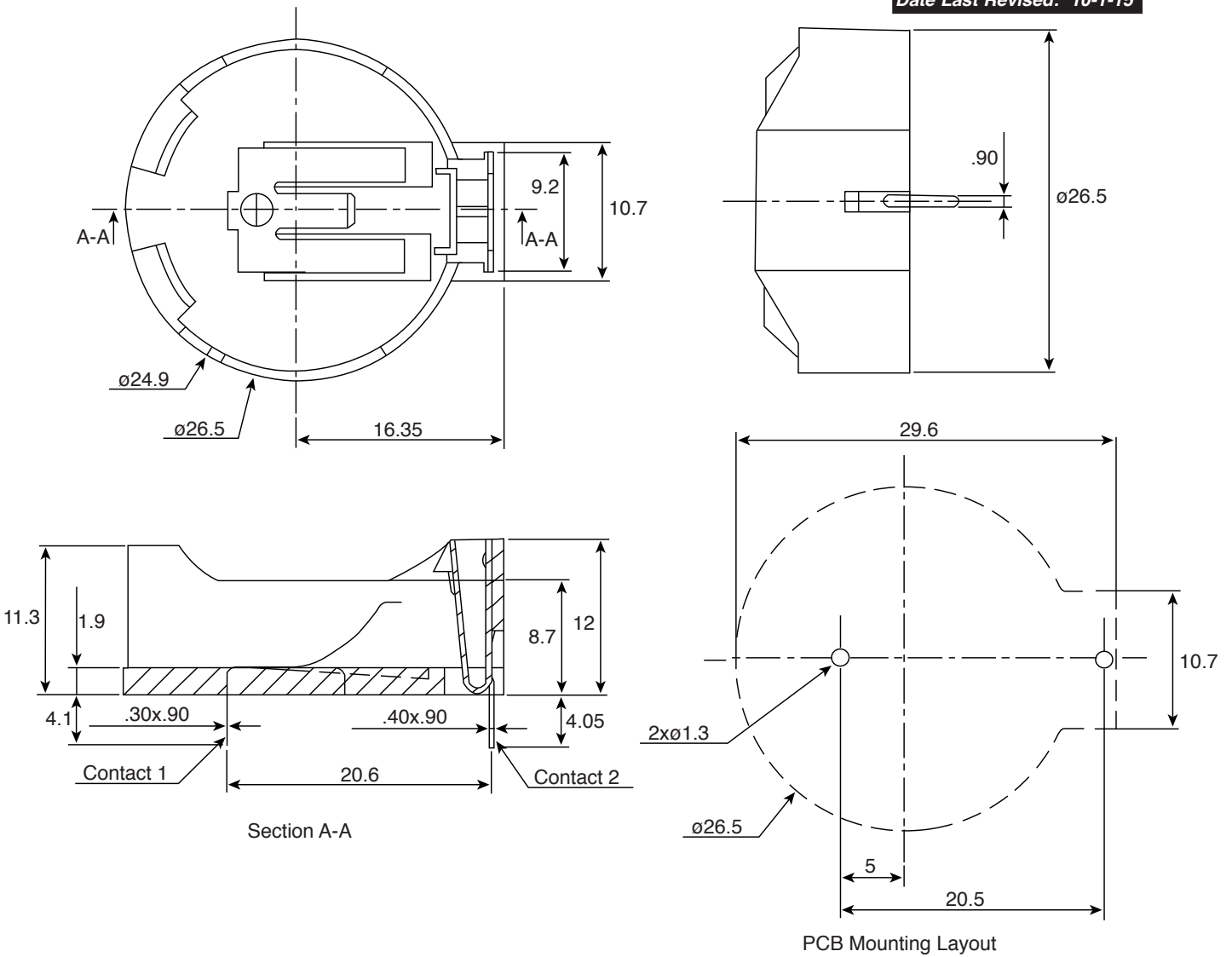


Date Last Revised: 10-1-15



DIMENSIONS: mm

SPECIFICATIONS	
Contact 1 Material:	0.3mm Thick Phosphor Bronze Nickel Plated
Contact 2 Material:	0.4mm Thick Phosphor Bronze Nickel Plated
Current Rating:	0.5A (AC/DC)
Voltage Rating:	500V (AC/DC)
Contact Resistance:	30m Ω
Insulation Resistance:	1000M Ω
Temperature Range:	-55°C to 85°C
Battery Size:	CR2477
RoHS Compliant	

Available from Mouser Electronics
1-800-346-6873 / www.mouser.com

EPD-200961

X-ON Electronics

Authorized Distributor

Click to view similar products for [Coin Cell Battery Holders](#) category:

[2226](#) [105](#) [1063TR](#) [1052](#) [101](#) [1082TR](#) [1057TR](#) [1057](#) [1058TR](#) [1081TR](#)