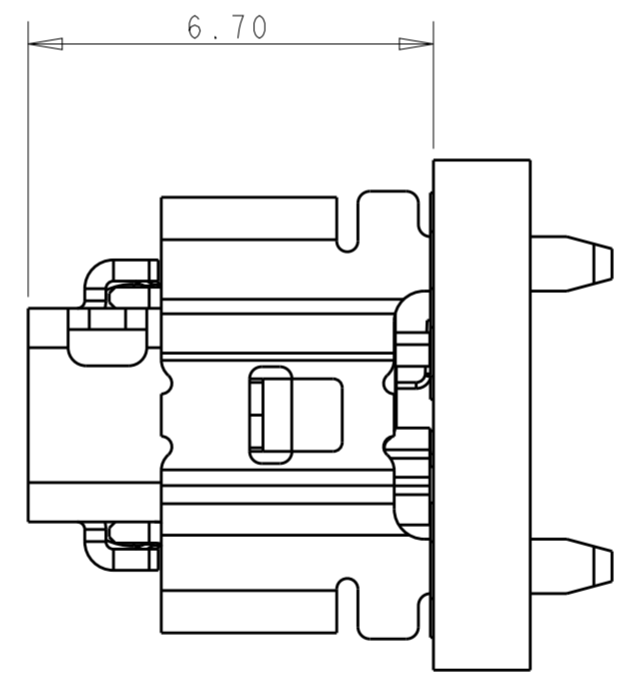
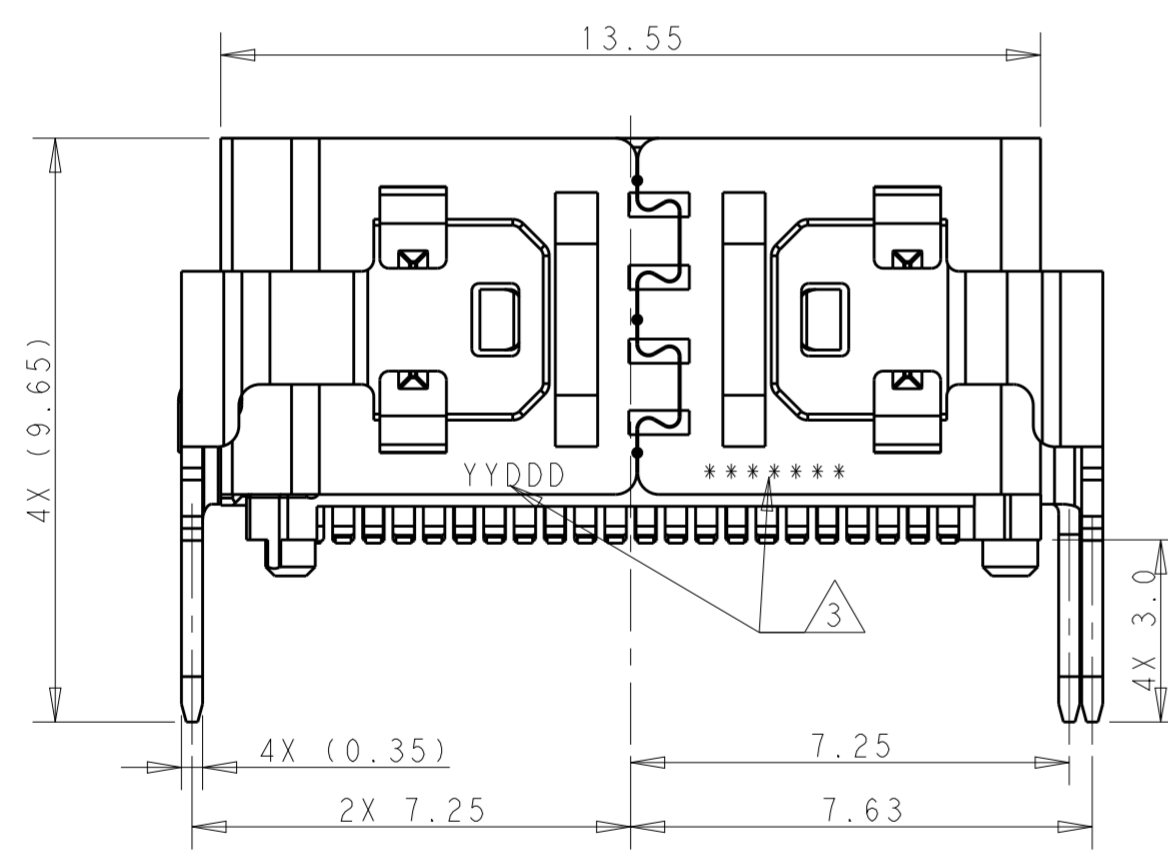
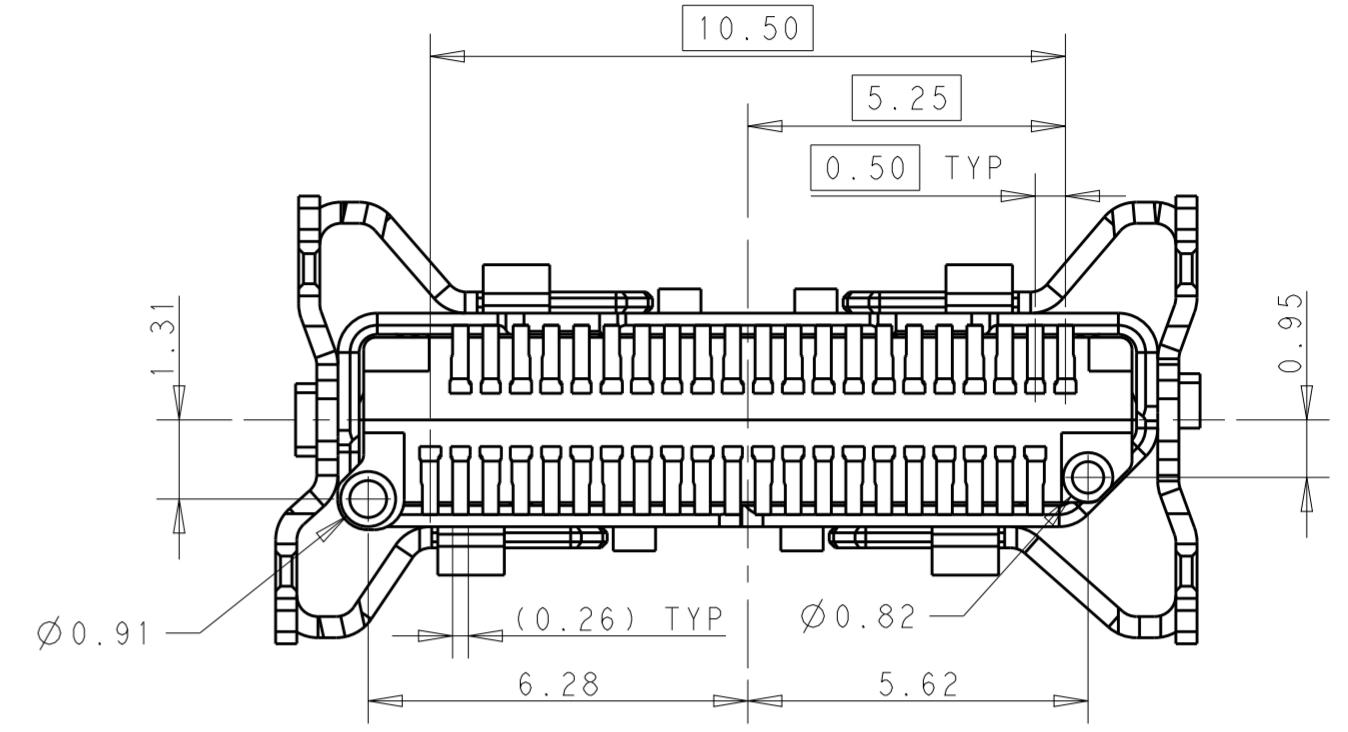
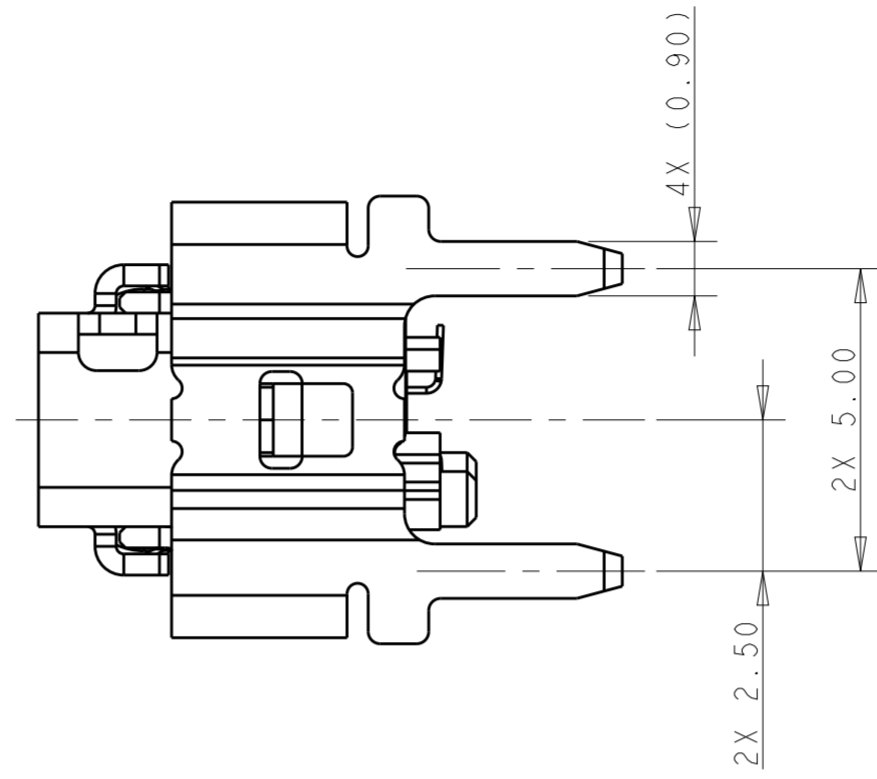
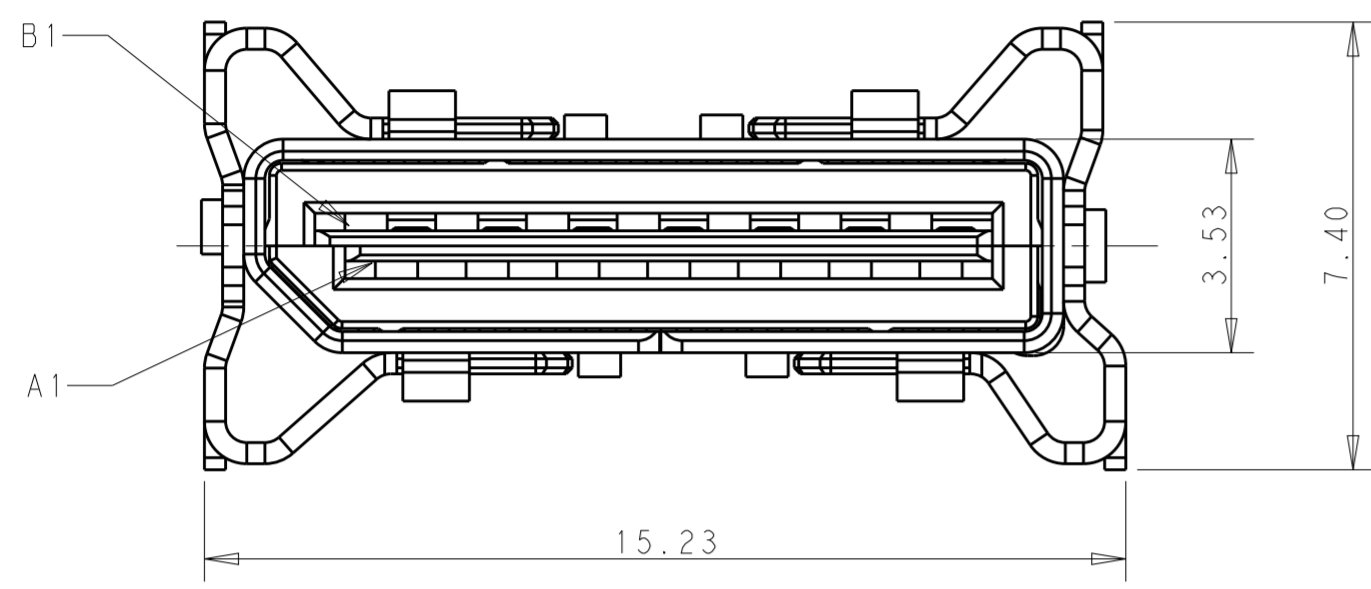


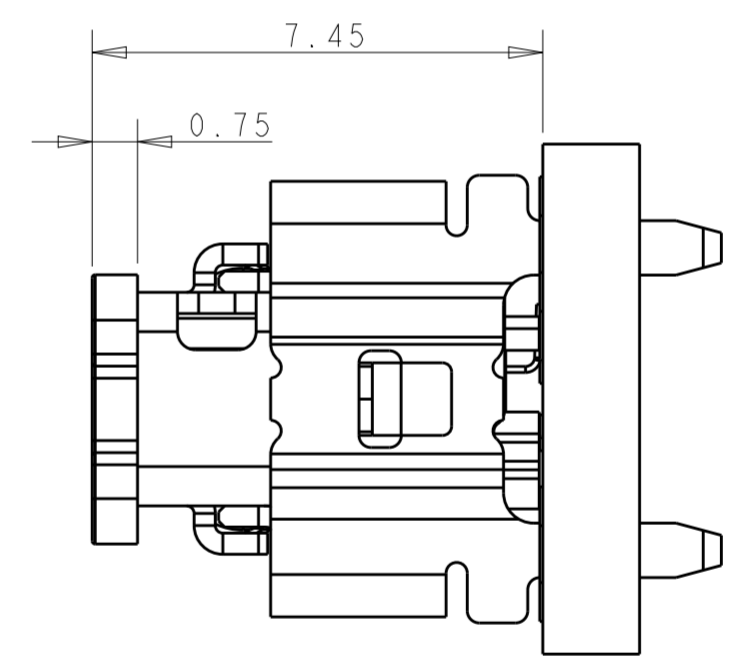
THIS DRAWING IS UNPUBLISHED. RELEASED FOR PUBLICATION 20
 © COPYRIGHT 20 BY - ALL RIGHTS RESERVED.

REVISIONS				
P	LTR	DESCRIPTION	DATE	APVD
A		INITIAL RELEASE	14NOV2017	AJ SH



SCALE 8:1

W/O CAP AS SHOWN



SCALE 8:1

W/ CAP AS SHOWN

NOTES:

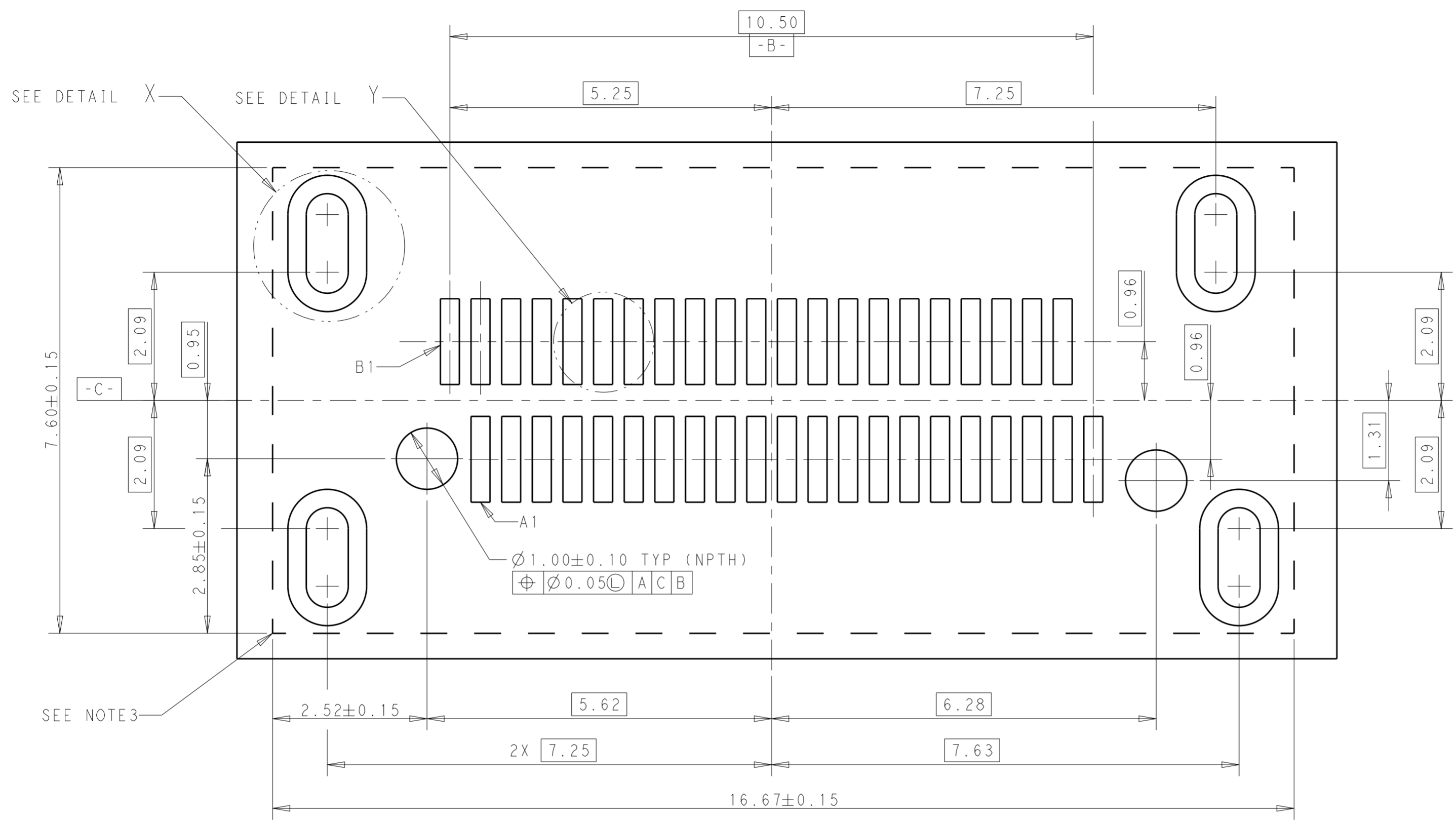
- MATERIALS:
 HOUSING - GLASS FILLED THERMOPLASTIC, 94V-0
 CONTACT - HIGH PERFORMANCE COPPER ALLOY
 SHIELD - STAINLESS STEEL
- FINISH:
 CONTACTS - 0.76um MIN. GOLD ON MATING SIDE
 2.03um MIN. TIN ON SOLDER TAILS
 1.27um MIN. NICKEL UNDERPLATE OVERALL
 SHIELD - MATTE TIN OVER 1.27um MIN. NICKEL
- PART NUMBER AND DATE CODE MARKED IN APPROXIMATE AREA SHOWN
- SOLDER TAIL COPLANARITY IS 0.10 MAX.

2312741-1
 PART NUMBER

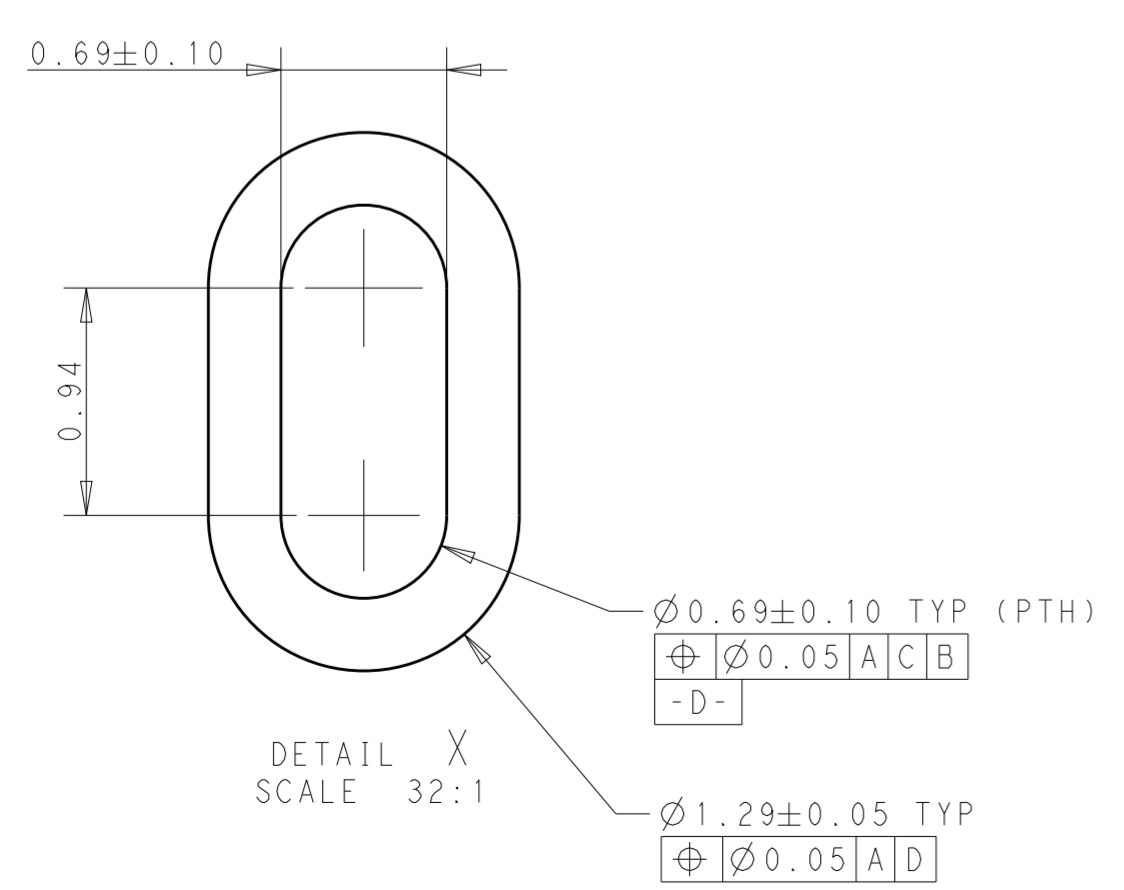
THIS DRAWING IS A CONTROLLED DOCUMENT.		DWN ARTHUR JIN 06DEC2016	TE Connectivity	
DIMENSIONS: mm		CHK SEAN HAN 08DEC2016		
TOLERANCES UNLESS OTHERWISE SPECIFIED:		APVD SEAN HAN 08DEC2016	NAME NPIO 42CKT ASSEMBLY XD VERTICAL RECEPTACLE	
0 PLC ±		PRODUCT SPEC 108-60118	SIZE A2	
1 PLC ±0.25		APPLICATION SPEC 114-60024	CAGE CODE -	
2 PLC ±0.15		WEIGHT -	DRAWING NO. C-2312741	
3 PLC ±		CUSTOMER DRAWING	RESTRICTED TO -	
4 PLC ±			SCALE 5:1 SHEET 1 OF 2 REV A	
ANGLES ±				
FINISH				
MATERIAL SEE NOTES				
SEE NOTES				

THIS DRAWING IS UNPUBLISHED. RELEASED FOR PUBLICATION 20
 © COPYRIGHT 20 BY - ALL RIGHTS RESERVED.

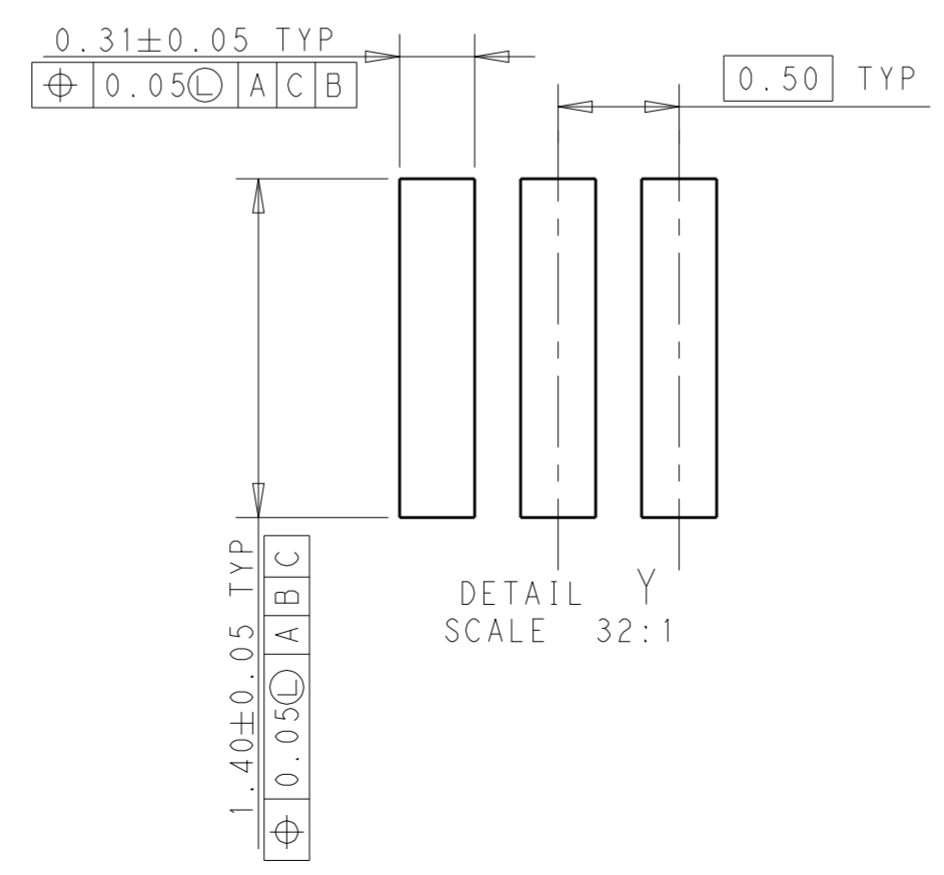
REVISIONS				
P	LTR	DESCRIPTION	DATE	APVD
		SEE SHEET 1		



RECOMMENDED FOOTPRINT
SCALE 16:1



DETAIL X
SCALE 32:1



DETAIL Y
SCALE 32:1

- NOTES:
 1. MINIMUM RECOMMENDED SPACING IS 26.75mm
 2. MINIMUM RECOMMENDED PCB THICKNESS: 1.57mm
 3. CONNECTOR KEEP OUT AREA
 4. DATUM-A- ESTABLISHED FROM TOP SURFACE OF PCB

THIS DRAWING IS A CONTROLLED DOCUMENT.		DWN 06DEC2016 ARTHUR JIN	TE Connectivity	
		CHK 08DEC2016 SEAN HAN		
		APVD 08DEC2016 SEAN HAN	NAME NPIO 42CKT ASSEMBLY XD VERTICAL RECEPTACLE	
DIMENSIONS: mm		PRODUCT SPEC 108-60118		SIZE A2
TOLERANCES UNLESS OTHERWISE SPECIFIED:		APPLICATION SPEC 114-60024		CAGE CODE -
0 PLC ±		WEIGHT -		DRAWING NO C-2312741
1 PLC ±0.25		CUSTOMER DRAWING		RESTRICTED TO -
2 PLC ±0.15		SCALE 5:1		SHEET 2 OF 2
3 PLC ±				REV A
4 PLC ±				
ANGLES ±				
FINISH				
MATERIAL SEE NOTES				

X-ON Electronics

Largest Supplier of Electrical and Electronic Components

Click to view similar products for [I/O Connectors](#) category:

Click to view products by [TE Connectivity](#) manufacturer:

Other Similar products are found below :

[571763P](#) [58098-0628](#) [61-168618-12P](#) [D38999/20FJ24PA L/C](#) [D38999/20FJ29SB L/C](#) [D38999/24FG11SN L/C](#) [72.250.1628.2](#) [72.250.2428.2](#)
[74720-0505](#) [747680210](#) [76.350.0729.0](#) [76871-1403](#) [FCN-244F080-G/1](#) [FCN-260A9920](#) [FCN-268D024-G/2F#10X-R10](#) [PCS-E50FA](#) [PCS-](#)
[XE26LKA](#) [PCS-XE26MA+](#) [PCS-XES68MS+](#) [G38A71314B](#) [91-569719-35R](#) [DX40-50P\(55\)](#) [1571250010](#) [157-22500-3](#) [1888020-8](#) [91-](#)
[569786-35H](#) [91-569786-35M](#) [91-644626-35P](#) [172501-4002](#) [172501-6002](#) [FCN-260C008-A/L0](#) [FCN-260C024-AL0](#) [FCN-261Z008](#) [FCN-](#)
[268D008-G/1K](#) [2000314-1](#) [200331-1](#) [2007498-2](#) [PCR-E28LMDAG1+](#) [PCR-E36FC+](#) [PCS-E28FS+](#) [PCS-XE26SLFD+](#) [PCS-XE26SLFDT+](#)
[G38A71214B](#) [HDRA-E68W1LFDTC-SL+](#) [HDR-E14MSG1+](#) [R88A-CNK81S](#) [CRT1-ATT02](#) [54182-0605](#) [U90B2054081210](#)
[UE86K842720321](#)