

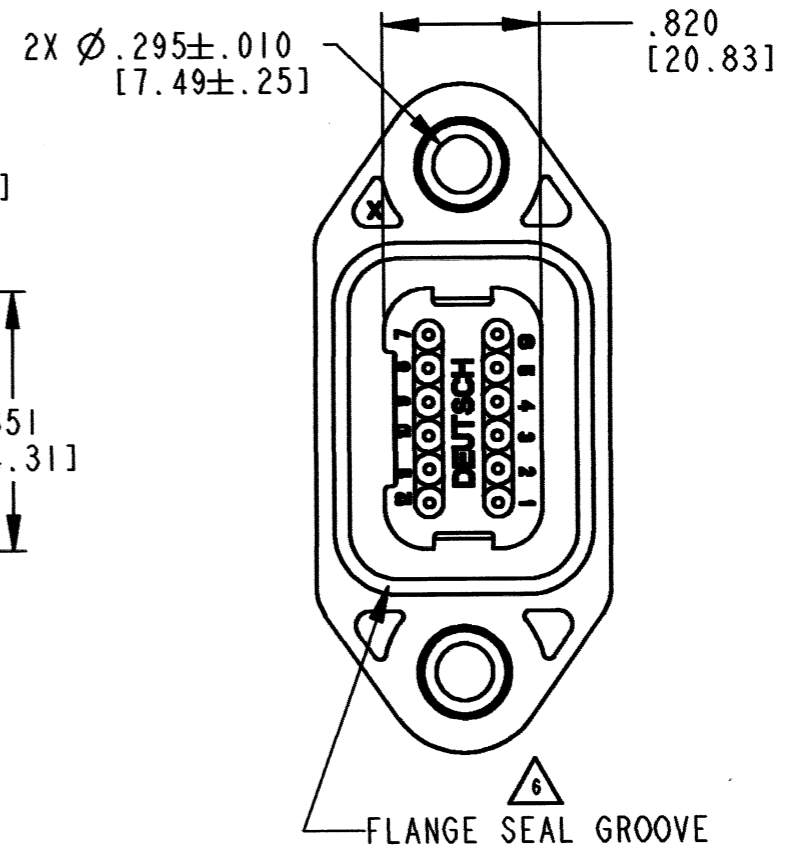
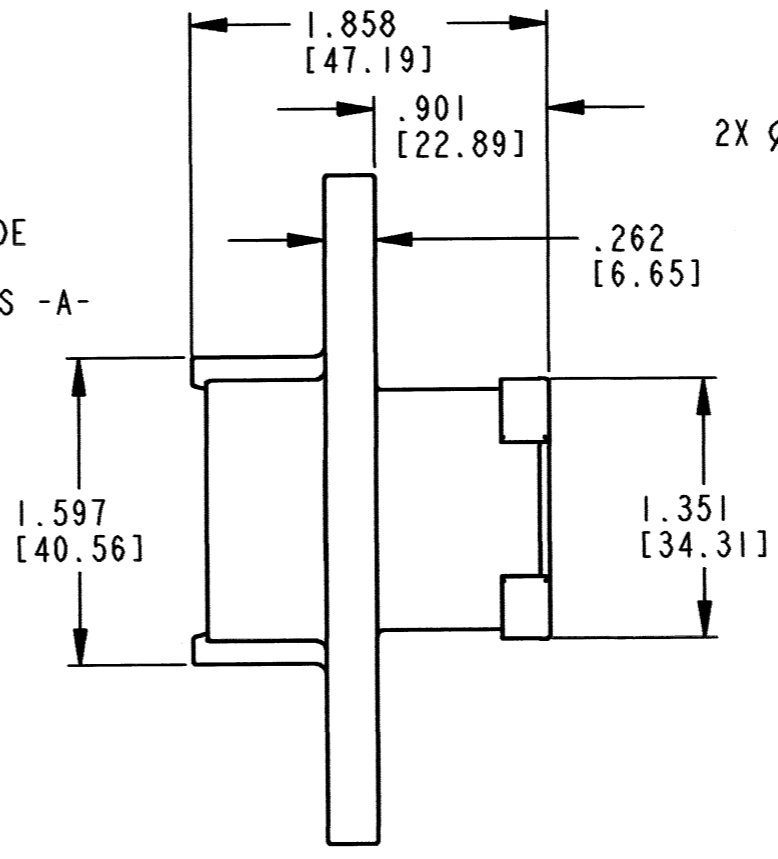
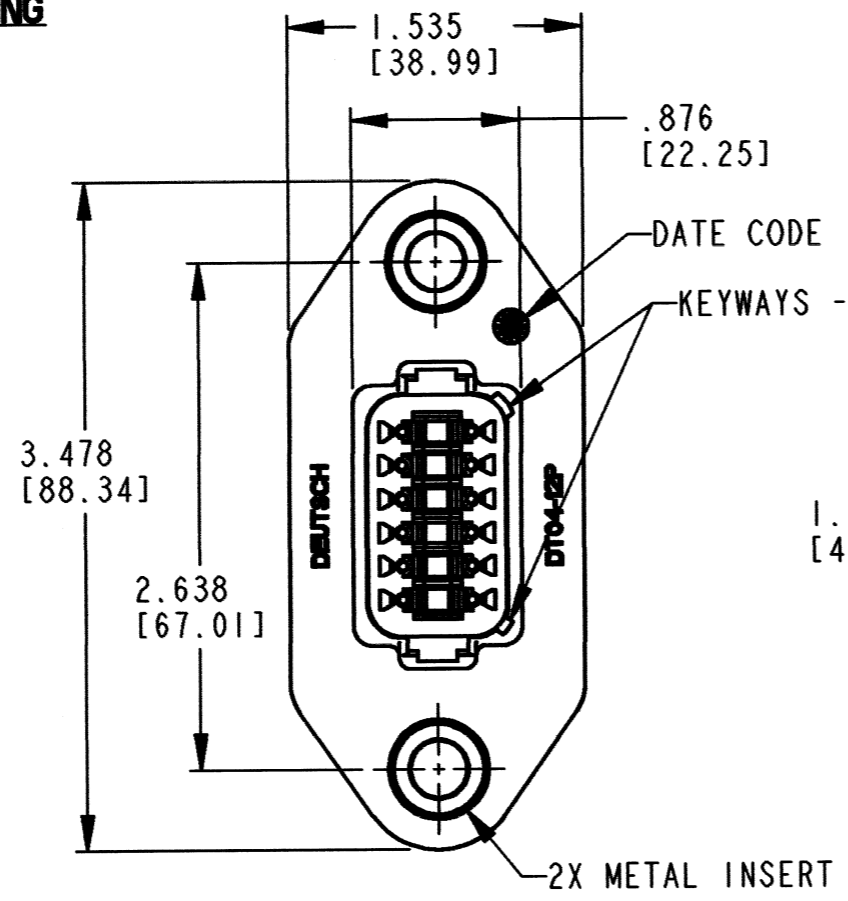
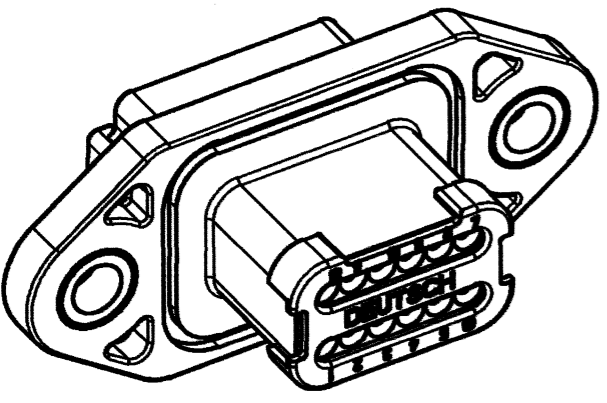
REV  
**B** DT04-12PA-LE09

REVISIONS			
SYM	DESCRIPTION	DATE	APPROVED
NC	NEW RELEASE PER E.O. PI5860	12-22-98	R.D.R.
A	REDRAWN/REVISED PER E.O. PI9065	7-6-06	R.D.R.
B	REVISED PER E.O. P20545	9.30.10	SB

CONTACT SIZE	MIN. INSUL. O.D.	MAX. INSUL. O.D.	WIRE RANGE [mm <sup>2</sup> ] REF ONLY
16	.088 [2.24]	.145 [3.68]	14-20 AWG [2.0-0.5]

**RECOMMENDED MOUNTING DETAIL**

2X DRILL AND TAP BLIND HOLE FOR 1/4-20 FASTENER



6. FLANGE SEAL, P/N: 1013-003-1206, SUPPLIED SEPARATELY.

5. MATERIAL: SHELL: PLASTIC; GROMMET: RUBBER

4. THIS RECEPTACLE MATES WITH THE DT06-12SA-\*\*\*\* PLUG. (\*\*\*\* ALL MODIFICATIONS). CONSULT FACTORY FOR MODIFICATIONS.

3. FOR CONTACTS AND WIRE PERFORMANCE AND APPLICATION CHARACTERISTICS SEE ENVELOPE DRAWING 0425-015-0000 AND 0425-017-0000.

2. DIMENSIONS ARE ±.025 [0.64] UNLESS OTHERWISE SPECIFIED.

NOTES: 1. DIMENSIONS ARE IN INCHES [MILLIMETERS].

SIGNATURE & DATE	
DR	A. MALAGON 28SEP05
CHK	<i>[Signature]</i> 2/10/2010
PE	<i>[Signature]</i> 5/2/10
APPD	<i>[Signature]</i> 8.2.10
SCALE	NONE
WT	

12 WAY RECEPTACLE WITH FLANGE -LE09 MOD COLOR: BLACK DT SERIES

ENVELOPE

EP	MATL. CODE
3850 INDUSTRIAL AVE. HEMET, CA 92545	
<b>B</b>	<b>DT04-12PA-LE09</b>
DWG SIZE	CODE 11139 SHEET   OF

## X-ON Electronics

Largest Supplier of Electrical and Electronic Components

*Click to view similar products for [Automotive Connectors](#) category:*

*Click to view products by [TE Connectivity](#) manufacturer:*

Other Similar products are found below :

[003-018-000](#) [600858](#) [60403001](#) [60993906-B](#) [60993913-B](#) [629515004020001](#) [M902-2131](#) [M902-2161](#) [M902-2344](#) [72.330.1035.1](#)  
[73.353.4028.0](#) [F118010](#) [F119300-B](#) [F132210](#) [F132210-B](#) [F166900](#) [F180100](#) [F258300](#) [F258300-B](#) [F294300-B](#) [F339100](#) [F339700](#) [F358300-](#)  
[B](#) [F374110](#) [F407400](#) [F412210](#) [F427600](#) [F444110](#) [F487000](#) [F495100-B](#) [F500900-B](#) [F509500B-B](#) [770444-1](#) [776880-1](#) [827153-1](#) [881735-1](#)  
[8N1515-32-24P](#) [9-1326727-8](#) [9-1326729-8](#) [925467-1](#) [925474-1](#) [928905-1](#) [936398-2](#) [964562-1](#) [964562-4](#) [964731-2](#) [965051-1](#) [968782-1](#)  
[GT17SA-8DS-HU](#) [GT17VS-10DP-5.2CF](#)