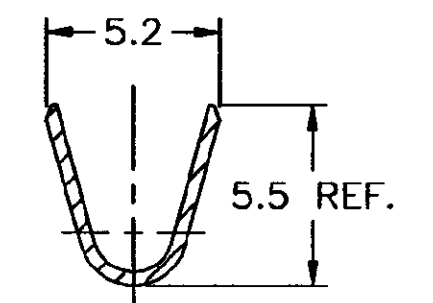
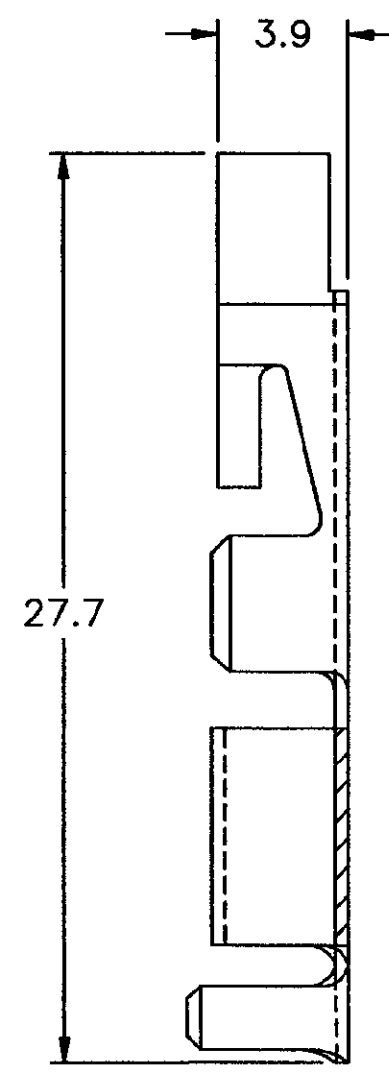
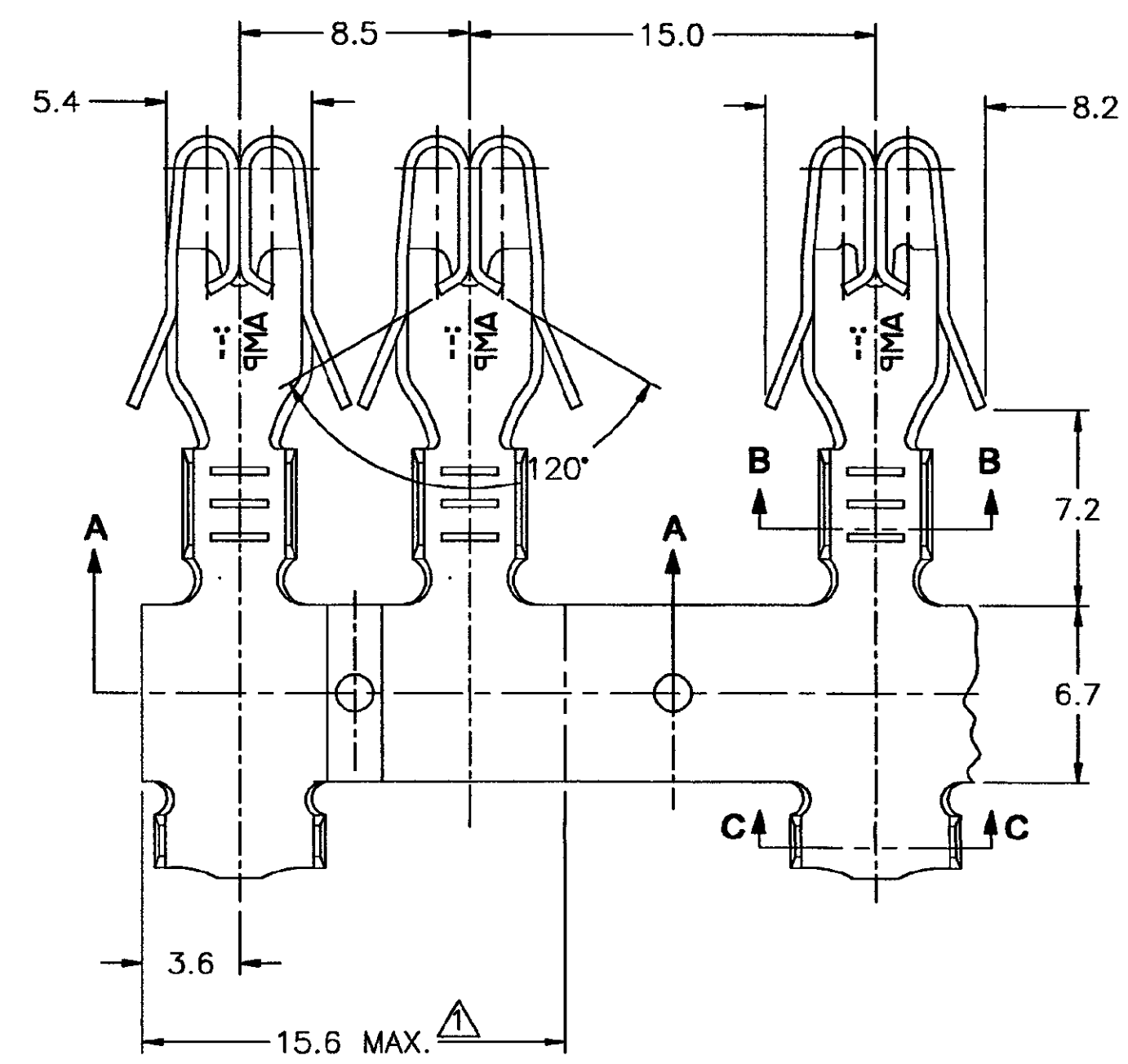


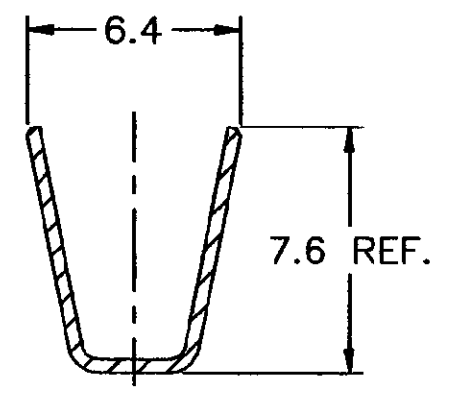
THIS DRAWING IS UNPUBLISHED. RELEASED FOR PUBLICATION. 19
 © COPYRIGHT 19 BY AMP INCORPORATED. ALL RIGHTS RESERVED.

CAD
 DO NOT REVISE EXCEPT BY CAD

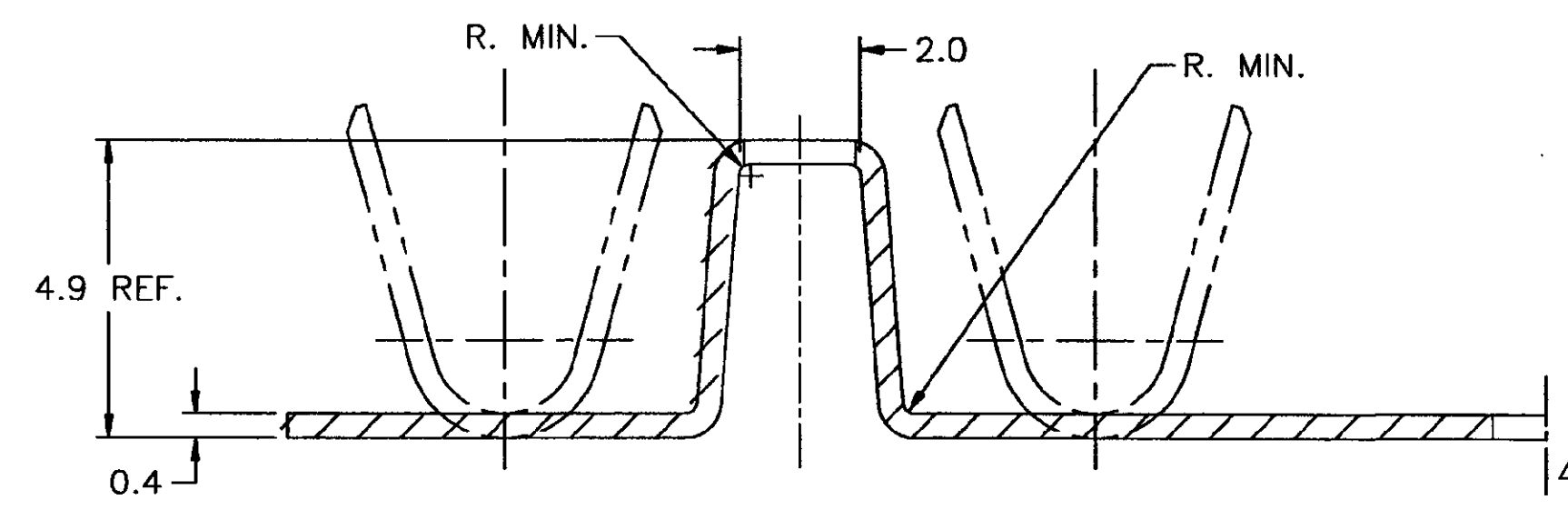
REVISIONS				
P	LTR	DESCRIPTION	DATE	APVD
F		REDRAW BY EC 0475/99	07.24.00	FSM/PLF
F1		REVISED PER ECO-09-026444	NOV09	KK/AEG



SECTION B-B



SECTION C-C



SECTION A-A

- NOTES:
- ▲ - DIMENSÃO DE CORTE PARA O APLICADOR
 - ▲ - CUT DIMENSION FOR APPLICATOR
 - ▲ - OBSOLETE PARTS: OBSOLETE CIS STREAMLINING PER D.RENAUD/D.SINISI

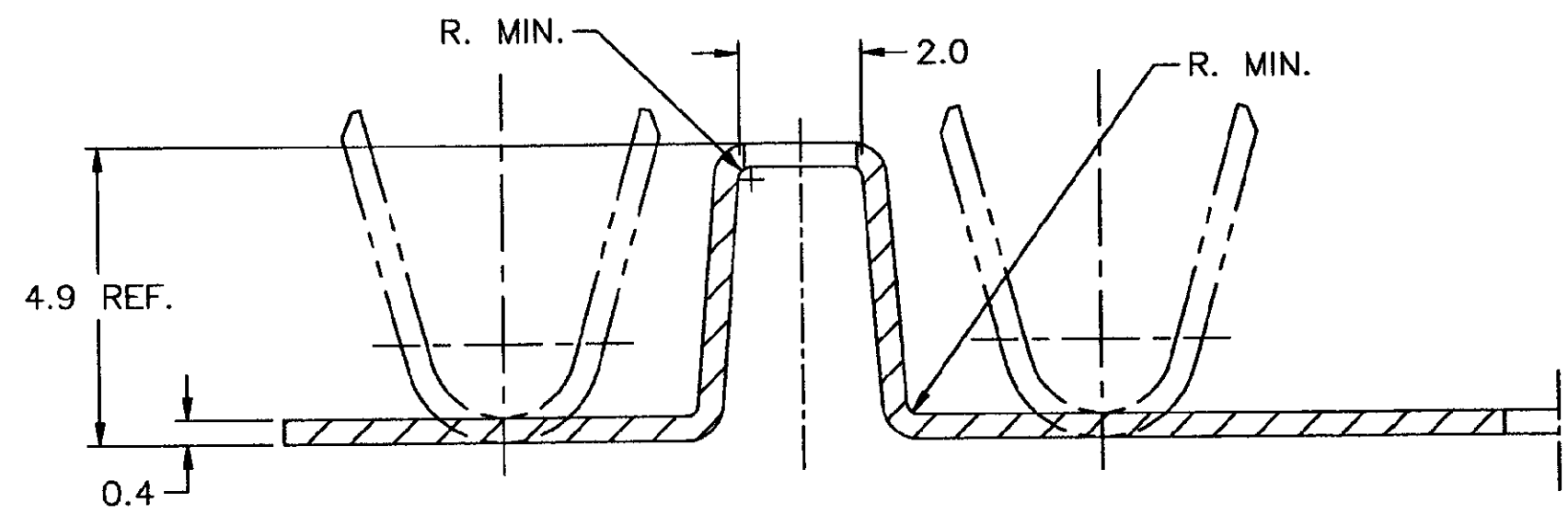
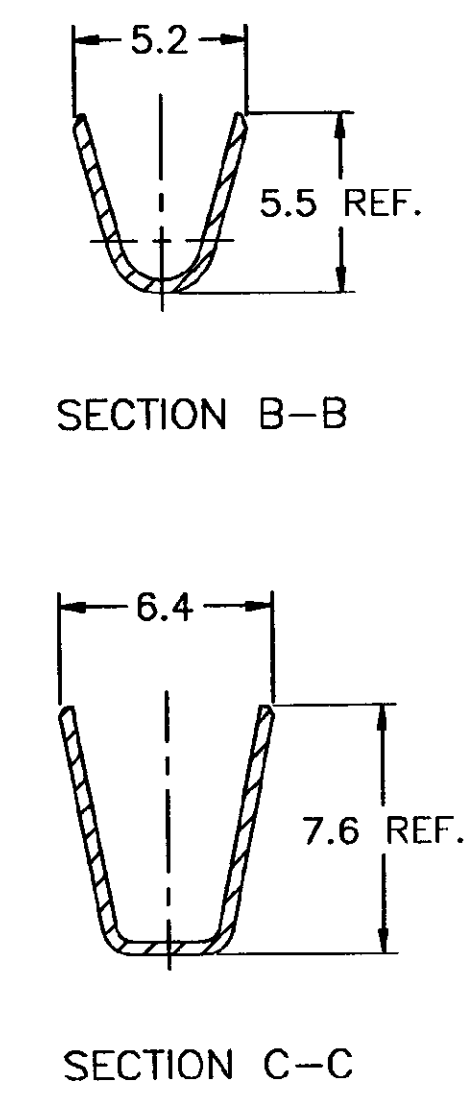
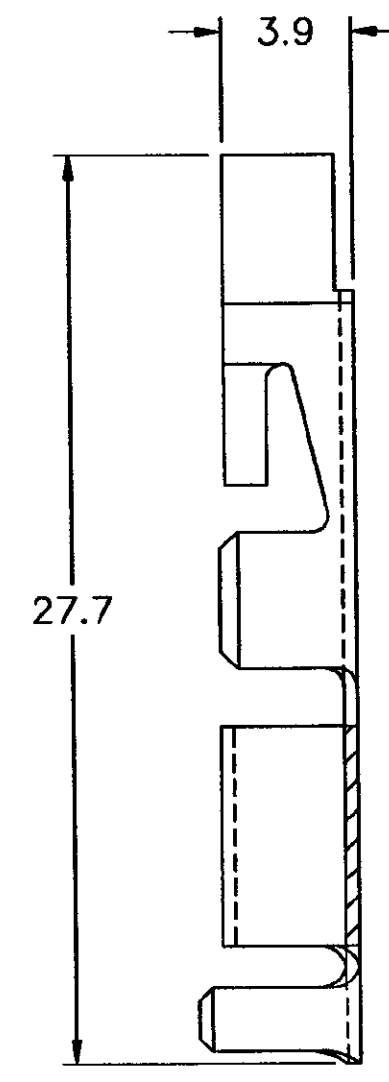
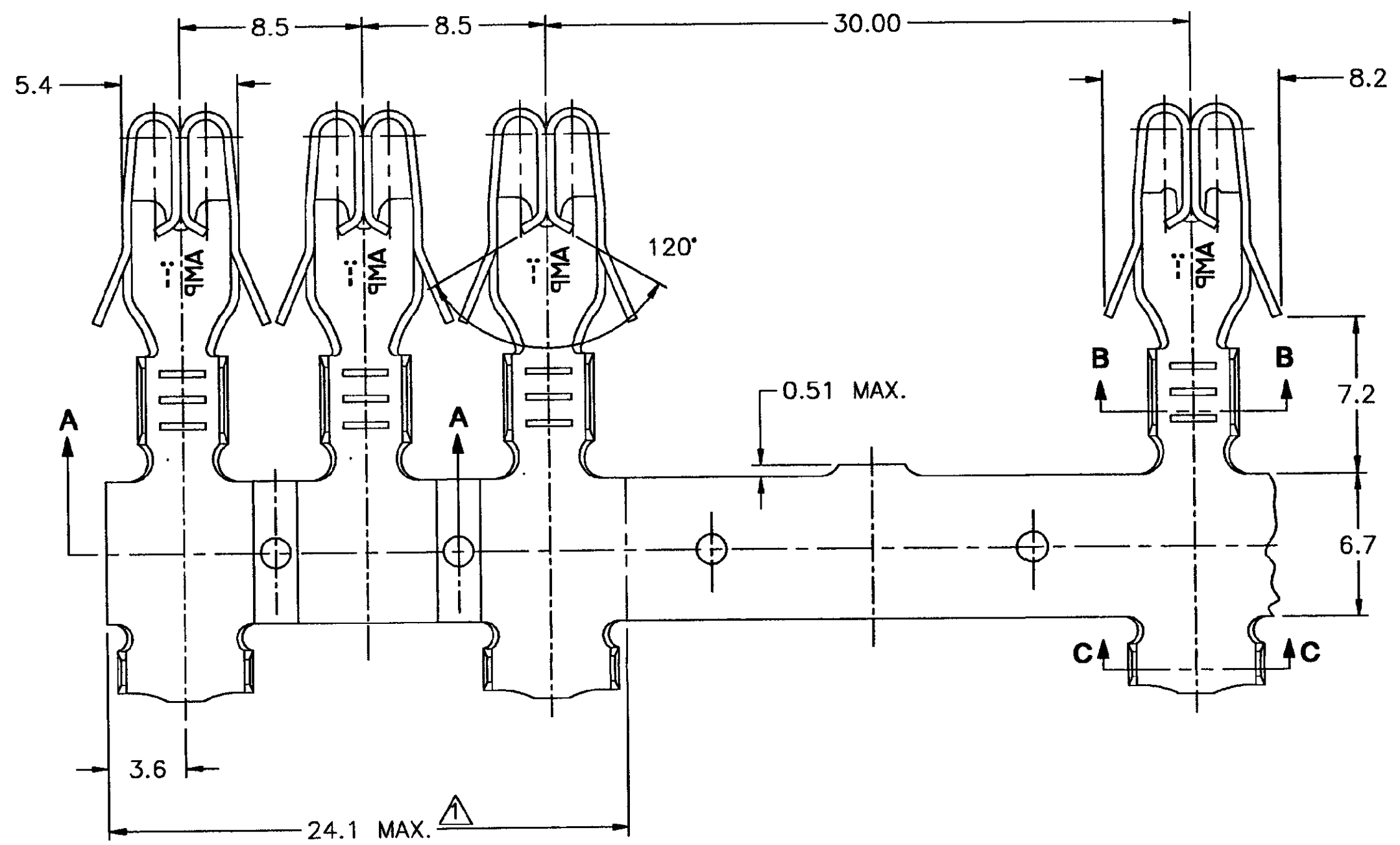
WIRE RANGE	>4,0 - 6,0mm ²	PRE-ESTANHADO/PRE TINNED	COBRE FERRO/COPPER IRON	881572-6
INSUL. RANGE	4,0 - 5,1mm	PRE-ESTANHADO/PRE TINNED	LATÃO/BRASS	881572-1
OTHER TREATMENT		FINISH		MATERIAL
THIS DRAWING IS A CONTROLLED DOCUMENT.		AMP		AMP do BRASIL Ltda. São Paulo - Brasil
DIMENSIONS: MM		TOLERANCES UNLESS OTHERWISE SPECIFIED:		APVD
0 PLC ± -		1 PLC ± 0,2		2 PLC ± -
3 PLC ± -		4 PLC ± -		ANGLES ± °
MATERIAL		FINISH		WEIGHT
SEE TABLE		SEE TABLE		CUSTOMER DRAWING
SIZE		CAGE CODE		DRAWING NO
A2		00779		881572
SCALE		SHEET		REV
5:1		1 OF 4		F1

ORIGINAL

THIS DRAWING IS UNPUBLISHED. RELEASED FOR PUBLICATION. BY AMP INCORPORATED. ALL RIGHTS RESERVED. COPYRIGHT 19

CAD
DO NOT REVISE
EXCEPT BY CAD

LOC		DIST		REVISIONS			
P	LTR	DESCRIPTION	DATE	DWN	APVD		
-	-	SEE SHEET 1 OF 4	-	-	-	-	-



- NOTES:
- ① -DIMENSÃO DE CORTE PARA O APLICADOR
 - ① -CUT DIMENSION FOR APPLICATOR
 - ② OBSOLETE PARTS: OBSOLETE CIS STREAMLINING PER D.RENAUD/D.SINISI

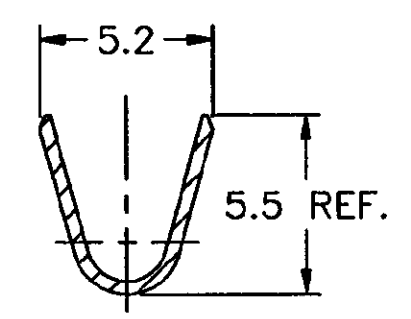
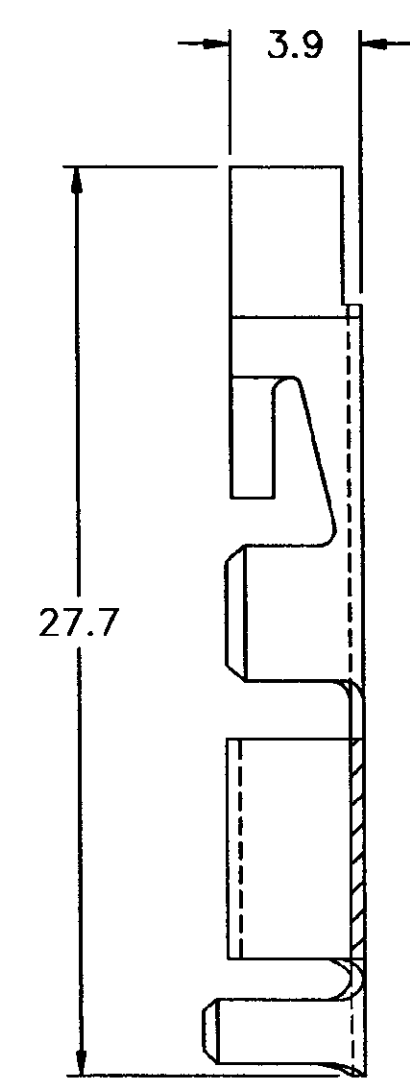
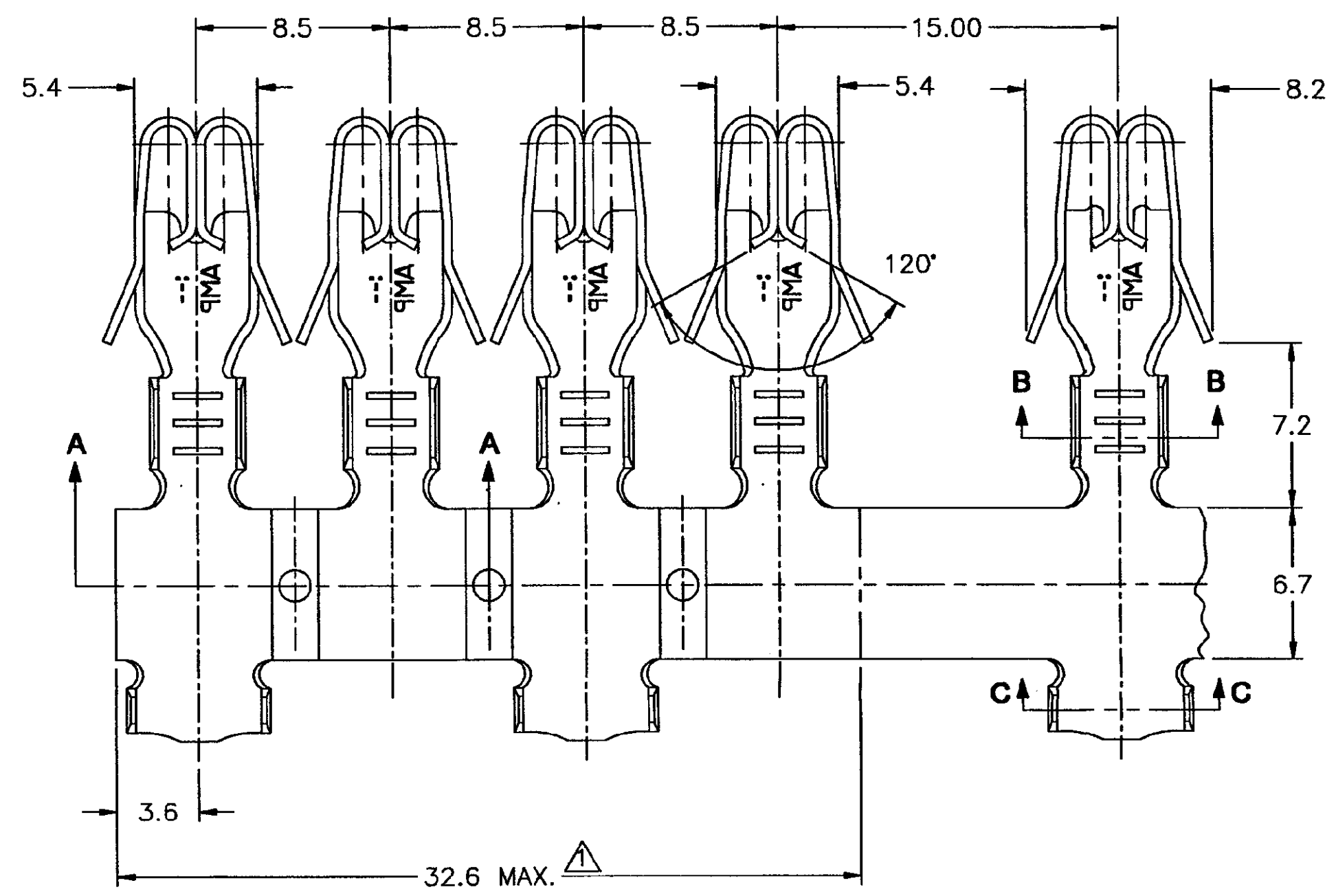
② OBSOLETE	WIRE RANGE 4.0 - 6.0mm ²	PRE-ESTANHADO/PRE TINNED	COBRE FERRO/COPPER IRON	881572-6
	INSUL. RANGE 4.0 - 5.1mm	PRE-ESTANHADO/PRE TINNED	LATÃO/BRASS	881572-2
THIS DRAWING IS A CONTROLLED DOCUMENT.		OTHER TREATMENT	FINISH	MATERIAL
DIMENSIONS: MM		NAME: F.S. MARTINS DIR: P.L. FARIA APVD: F.ALEXANDRE PRODUCT SPEC:		
0 PLC ± - 1 PLC ± 0.2 2 PLC ± - 3 PLC ± - 4 PLC ± - ANGLES ± 1°		AMP do BRASIL Ltda. São Paulo - Brasil		
MATERIAL		FUSE CONTACT (BUS-BAR)		
FINISH		SIZE: A2 DATE CODE: 00779 DRAWING NO: C=881572		
SEE TABLE		CUSTOMER DRAWING SCALE: 5:1 SHEET: 2 OF 4 REV: F1		

ORIGINAL

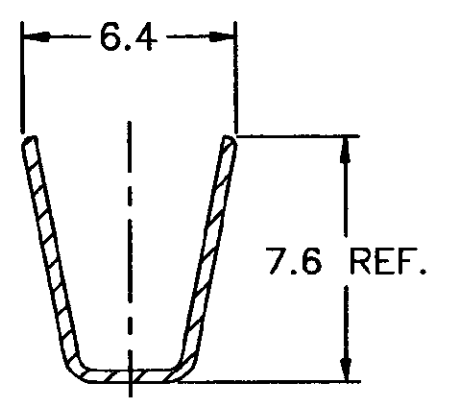
THIS DRAWING IS UNPUBLISHED. RELEASED FOR PUBLICATION
 BY AMP INCORPORATED. ALL RIGHTS RESERVED.

CAD
 DO NOT REVISE
 EXCEPT BY CAD

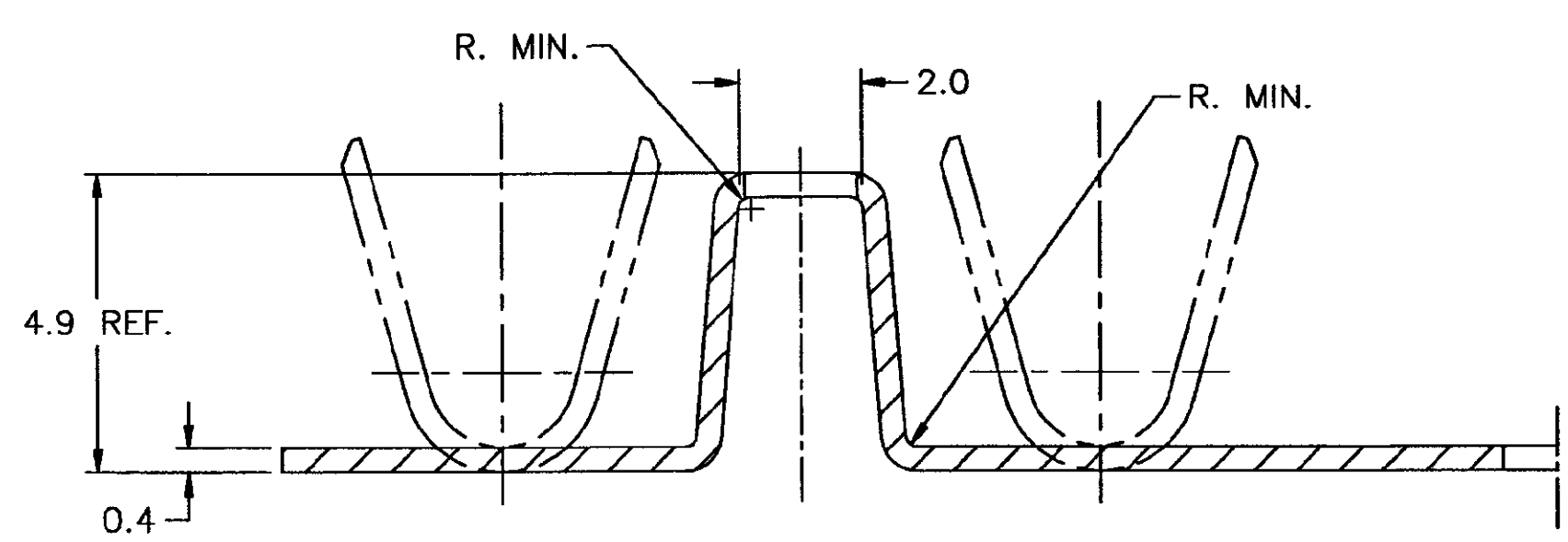
REVISIONS			
NO.	DESCRIPTION	DATE	BY
1	SEE SHEET 1 OF 4	-	-



SECTION B-B



SECTION C-C



SECTION A-A

NOTES:

- △ -DIMENSÃO DE CORTE PARA O APLICADOR
- △ -CUT DIMENSION FOR APPLICATOR
- △ OBSOLETE PARTS: OBSOLETE CIS STREAMLINING PER D.RENAUD/D.SINISI

OBSOLETE	WIRE RANGE	>4,0 - 6,0mm ²	PRE-ESTANHADO/PRE TINNED	COBRE FERRO/COPPER IRON	881572-7
	INSUL. RANGE	4,0 - 5,1mm	PRE-ESTANHADO/PRE TINNED	LATÃO/BRASS	881572-3
OTHER TREATMENT		FINISH		MATERIAL	PART NUMBER
THIS DRAWING IS A CONTROLLED DOCUMENT.		DWN: F.S. MARTINS 17/NOV99 CHK: P.L. FÁRIA APVD: F. ALEXANDRECKI		AMP AMP do BRASIL Ltda. São Paulo - Brasil	
DIMENSIONS: MM 		TOLERANCES UNLESS OTHERWISE SPECIFIED: 0 PLC ± - 1 PLC ± 0,2 2 PLC ± - 3 PLC ± - 4 PLC ± - ANGLES ± 1°		FUSE CONTACT (BUS-BAR)	
MATERIAL		APPLICATION SPEC		SIZE	DATE CODE
SEE TABLE		SEE TABLE		A2	00779
		CUSTOMER DRAWING		DRAWING NO	RESTRICTED TO
				C-881572	
		SCALE 5:1		SHEET 3 OF 4	REV F1

ORIGINAL

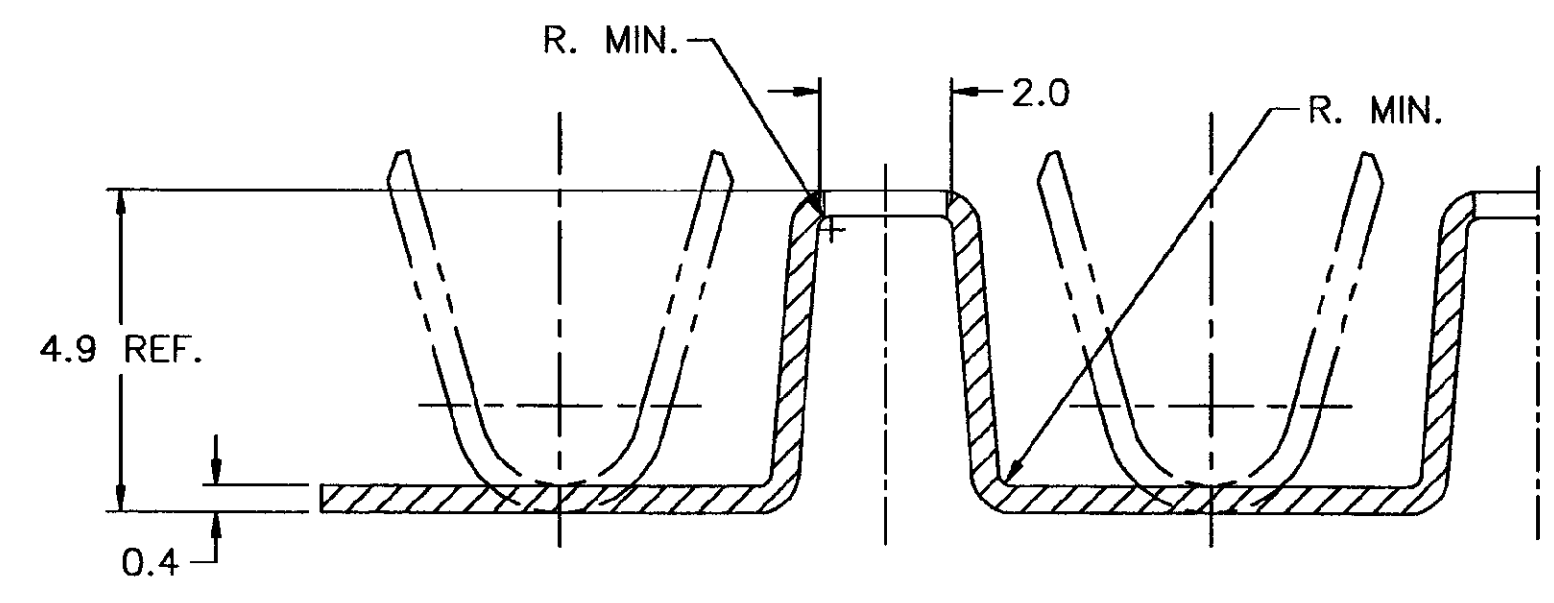
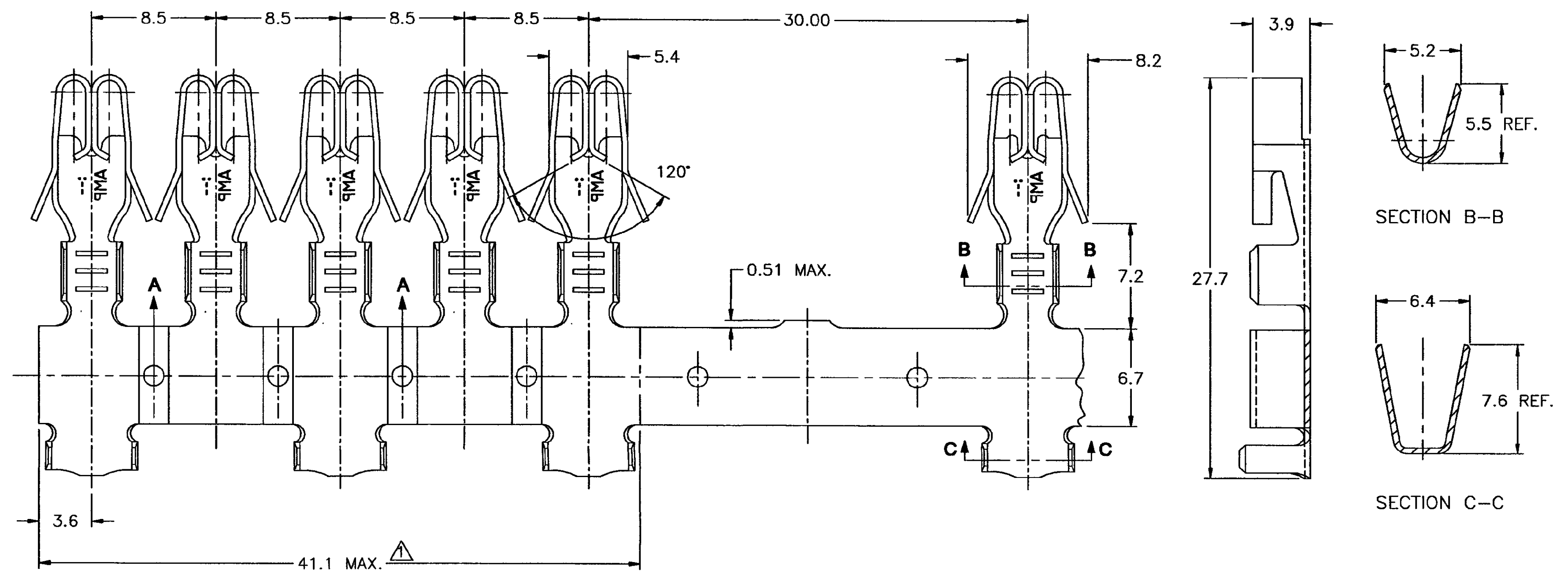
JUNDO

881572

THIS DRAWING IS UNPUBLISHED.
 RELEASED FOR PUBLICATION
 BY AMP INCORPORATED. ALL RIGHTS RESERVED.

CAD
 DO NOT REVISE
 EXCEPT BY CAD

LOG		DIST		REVISIONS			
P	LR	P	LR	DESCRIPTION	DATE	DWN	APVD
-	-	-	-	SEE SHEET 1 OF 4	-	-	-



SECTION A-A

NOTES:

- ① - DIMENSÃO DE CORTE PARA O APLICADOR
- ① - CUT DIMENSION FOR APPLICATOR
- ② OBSOLETE PARTS: OBSOLETE CIS STREAMLINING PER D.RENAUD/D.SINISI

② OBSOLETE	WIRE RANGE	>4,0 - 6,0mm ²	PRE-ESTANHADO/PRE TINNED	COBRE FERRO/COPPER IRON	881572-0
	INSUL. RANGE	4,0 - 5,1mm	PRE-ESTANHADO/PRE TINNED	LATÃO/BRASS	881572-4
		OTHER TREATMENT	FINISH	MATERIAL	PART NUMBER
THIS DRAWING IS A CONTROLLED DOCUMENT.					
DIMENSIONS:		TOLERANCES UNLESS OTHERWISE SPECIFIED:		AMP do BRASIL Ltda. São Paulo - Brasil	
MM	0 PLC	±	-	AMP	
	1 PLC	±	0,2	FUSE CONTACT (BUS-BAR)	
	2 PLC	±	-	APPLICATION SPEC	
	3 PLC	±	-	SIZE	
	4 PLC	±	-	CAGE CODE	
	ANGLES	±	1°	DRAWING NO	
	FINISH			A2 00779 C-881572	
MATERIAL	SEE TABLE		SEE TABLE		RESTRICTED TO
CUSTOMER DRAWING			SCALE 5:1		SHEET 4 OF 4

881572

B

ORIGINAL

X-ON Electronics

Largest Supplier of Electrical and Electronic Components

Click to view similar products for [Automotive Connectors](#) category:

Click to view products by [TE Connectivity](#) manufacturer:

Other Similar products are found below :

[003-018-000](#) [600858](#) [60403001](#) [60993906-B](#) [60993913-B](#) [629515004020001](#) [M902-2131](#) [M902-2161](#) [M902-2344](#) [72.330.1035.1](#)
[73.353.4028.0](#) [F118010](#) [F119300-B](#) [F132210](#) [F132210-B](#) [F166900](#) [F180100](#) [F258300](#) [F258300-B](#) [F294300-B](#) [F339100](#) [F339700](#) [F358300-](#)
[B](#) [F374110](#) [F407400](#) [F412210](#) [F427600](#) [F444110](#) [F487000](#) [F495100-B](#) [F500900-B](#) [F509500B-B](#) [770444-1](#) [776880-1](#) [827153-1](#) [881735-1](#)
[8N1515-32-24P](#) [9-1326727-8](#) [9-1326729-8](#) [925467-1](#) [925474-1](#) [928905-1](#) [936398-2](#) [964562-1](#) [964562-4](#) [964731-2](#) [965051-1](#) [968782-1](#)
[GT17SA-8DS-HU](#) [GT17VS-10DP-5.2CF](#)