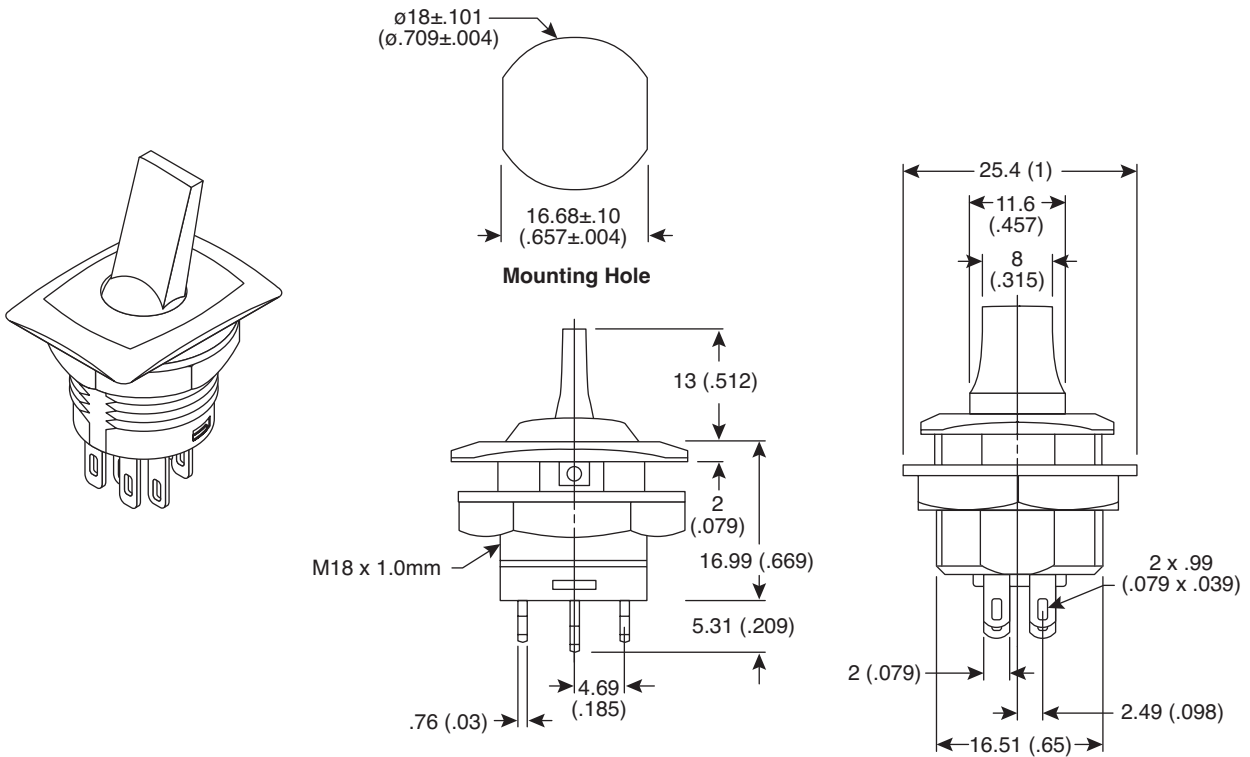


Dimensions: mm (In.)



Electrical Specifications:

- Rating: 6A/250VAC
- Contact resistance: 50mΩ max.
- Insulation resistance: 500VDC 100MΩ min.
- Dielectric strength: 1500VAC for 1 minute

Mechanical Specifications:

- Type: 6P, DPDT
- Circuit: On-On (103-4024), On-(On) (103-4025)
- Operational life cycles: 100,000

Note:

- RoHS Compliant

Toggle Switches
103-4024-EV, 103-4025-EV



X-ON Electronics

Authorized Distributor

Click to view similar products for [Toggle Switches](#) category:

[M2012LL2W30](#) [M2013BB1W01](#) [M2024S3A1W06](#) [M2032SS1W01-BA](#) [M2044SS1W01-BC](#)
[6-1437558-4](#) [6-1437558-5](#) [64AT22-3D](#) [64AT34-5K](#) [66AT23-7](#)