

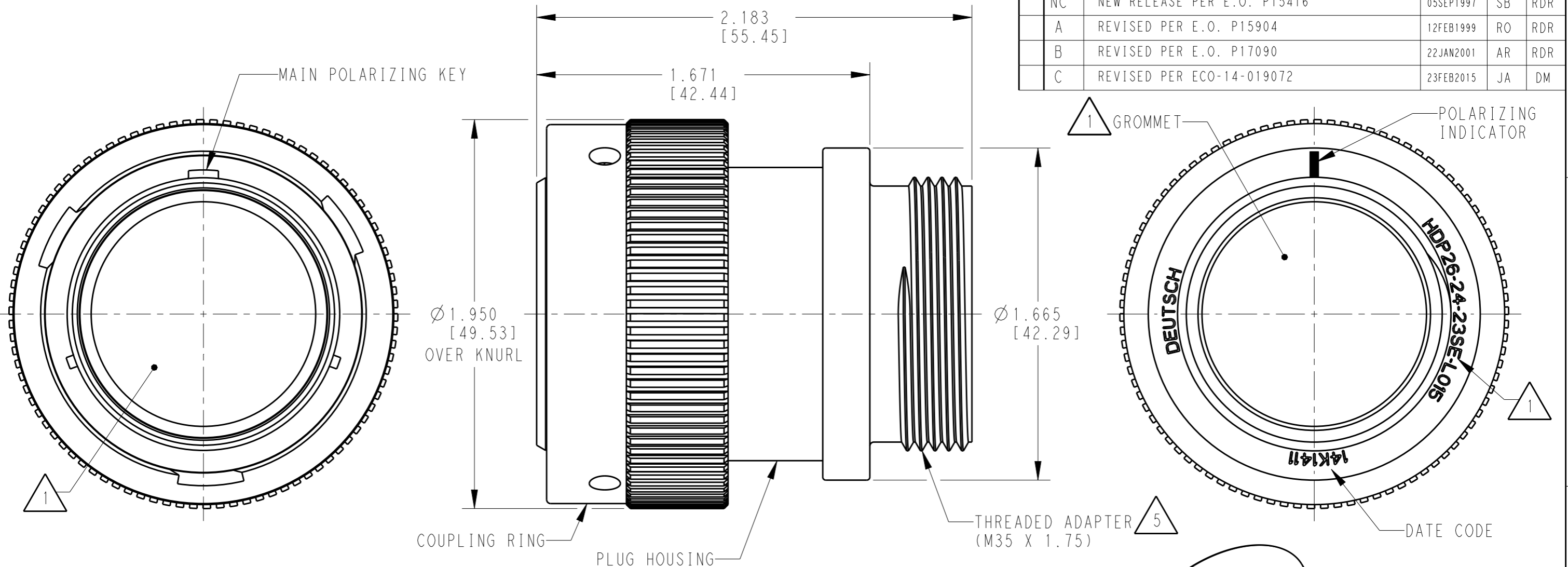
THIS DRAWING IS UNPUBLISHED  
© COPYRIGHT 1999 BY TE CONNECTIVITY ALL RIGHTS RESERVED.

RELEASED FOR PUBLICATION 2015

LOC DIST

REVISIONS

P	LTR	DESCRIPTION	DATE	DWN	APVD
NC		NEW RELEASE PER E.O. P15416	05SEP1997	SB	RDR
A		REVISED PER E.O. P15904	12FEB1999	RO	RDR
B		REVISED PER E.O. P17090	22JAN2001	AR	RDR
C		REVISED PER ECO-14-019072	23FEB2015	JA	DM



6. PART MODIFICATION: THREADED ADAPTER

5 CONDUIT ADAPTER ACCEPTS EITHER TYPES:  
 A. CONDUIT ADAPTER CAP NUT (CN21) AND SEAL RING (SRN21)  
 B. BACKSHELL (M902-2243), COMPRESSION NUT (M902-2053), CABLE Ø .430-.570 [10.92-14.78]  
 C. BACKSHELL (M902-2244), COMPRESSION NUT (M902-2054), CABLE Ø .570-710 [14.78-18.03]

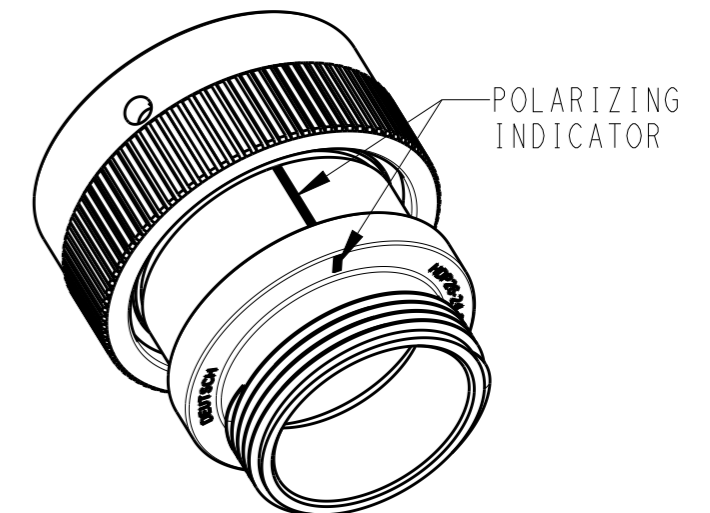
4 MATERIAL: PLUG HOUSING/COUPLING RING: PA66 GF10 (BLACK)  
 CONDUIT ADAPTER: PA66 GF10 (GREEN, GRAY, BLUE)  
 GROMMET: SILICONE (ORANGE-RED)

3 SEE 0425-021-0000 APPLICATION SPECIFICATION  
 A. RECOMMENDED WIRE INSULATION RANGE  
 B. CONTACT REMOVAL TOOLS

2. THIS PLUG MATES WITH HDP24-24XXP/SX-XXXX RECEPTACLE  
 X = SEAL TYPE (N,T,E)  
 XX = INSERT ARRANGEMENT  
 XXXX = MODIFICATION

1 SEE CUSTOMER DRAWING 0425-014-2400 FOR AVAILABLE INSERT ARRANGEMENTS AND PART NUMBERS.

NOTES:



SCALE 1:1

THIS DRAWING IS A CONTROLLED DOCUMENT.		DWN 19 JAN 1999 STEVE BEARD	TE Connectivity	
DIMENSIONS: INCHES [mm]		CHK 15 JAN 2001 STEVE BEARD		
TOLERANCES UNLESS OTHERWISE SPECIFIED:		APVD 15 JAN 2001 STEVE BEARD	NAME PLUG, COUPLING RING SIZE 24, -L015 MOD HDP SERIES	
0 PLC ± 1 PLC ± 2 PLC ± 3 PLC ±.015 [0.38] 4 PLC ± ANGLES ±0°30'0"		PRODUCT SPEC 0425-021-0000	RESTRICTED TO	
MATERIAL 4		APPLICATION SPEC 3	SIZE A3	CAGE CODE 4AFU8
FINISH N/A		WEIGHT	DRAWING NO. ©-HDP26-24-XXP/SX-L015	
		Customer Drawing	SCALE 2:1	SHEET 1 OF 1
			REV C	

## X-ON Electronics

Largest Supplier of Electrical and Electronic Components

*Click to view similar products for [Automotive Connectors](#) category:*

*Click to view products by [TE Connectivity](#) manufacturer:*

Other Similar products are found below :

[003-018-000](#) [600858](#) [60403001](#) [60993906-B](#) [60993913-B](#) [629515004020001](#) [M902-2131](#) [M902-2161](#) [M902-2344](#) [72.330.1035.1](#)  
[73.353.4028.0](#) [F118010](#) [F119300-B](#) [F132210](#) [F132210-B](#) [F166900](#) [F180100](#) [F258300](#) [F258300-B](#) [F294300-B](#) [F339100](#) [F339700](#) [F358300-](#)  
[B](#) [F374110](#) [F407400](#) [F412210](#) [F427600](#) [F444110](#) [F487000](#) [F495100-B](#) [F500900-B](#) [F509500B-B](#) [770444-1](#) [776880-1](#) [827153-1](#) [881735-1](#)  
[8N1515-32-24P](#) [9-1326729-8](#) [925467-1](#) [925474-1](#) [928905-1](#) [936398-2](#) [964562-1](#) [964562-4](#) [964731-2](#) [965051-1](#) [968782-1](#) [GT17SA-8DS-](#)  
[HU](#) [GT17VS-10DP-5.2CF](#) [98315-0001](#)