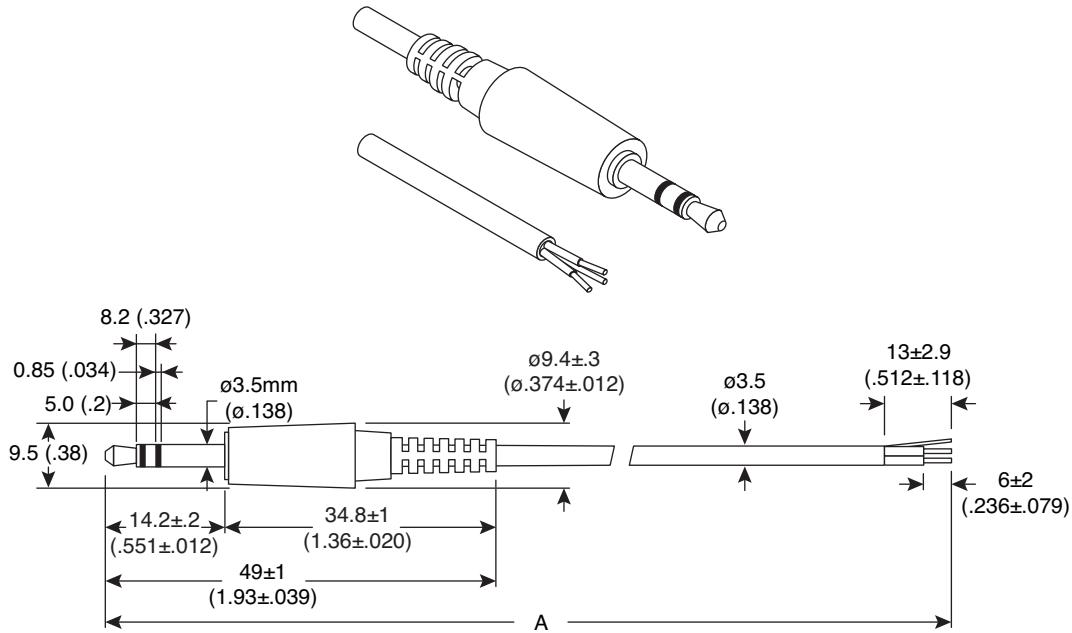


Cable Assemblies

172-2206, 172-2216, 172-2236, 172-2306



Cable Assemblies



DIMENSIONS: mm (in.)

Part No.	A
172-2236	36"
172-2216	120"
172-2206	72"
172-2306	72"

SPECIFICATIONS	
Type:	3.5mm stereo plug/stripped & tinned, shielded
Temperature:	60°C
Voltage rating:	24VDC
Conductor:	26AWG (.12mm x 10) copper wire with PVC jacket
Shield:	.12mm x 28 wrapped copper wire
Plug:	Nickel plated brass
Tip insulator:	ABS
Body & jacket:	PVC
Wire color coding:	plug tip (white), ring (red), sleeve (shielding)
Color:	black (172-2206, 172-2216, 172-2236), gray (172-2306)

Date Last Revised: 8-20-10

Available from Mouser Electronics
1-800-346-6873 / www.mouser.com

KC-300321

Specifications are subject to change without notice. No liability or warranty implied by this information. Environmental compliance based on producer documentation.

172-2206, 172-2216, 172-2236, 172-2306

X-ON Electronics

Authorized Distributor

Click to view similar products for [Audio Cables](#) / [Video Cables](#) / [RCA Cables](#) category:

[73-6311-10](#) [73-6312-3](#) [20QF20N2](#) [PCHY-12-50](#) [LI-VIC-02](#) [20QF20N0](#) [TT742](#) [426500500-](#)
[3](#) [73-6312-6](#) [426495600-3](#)