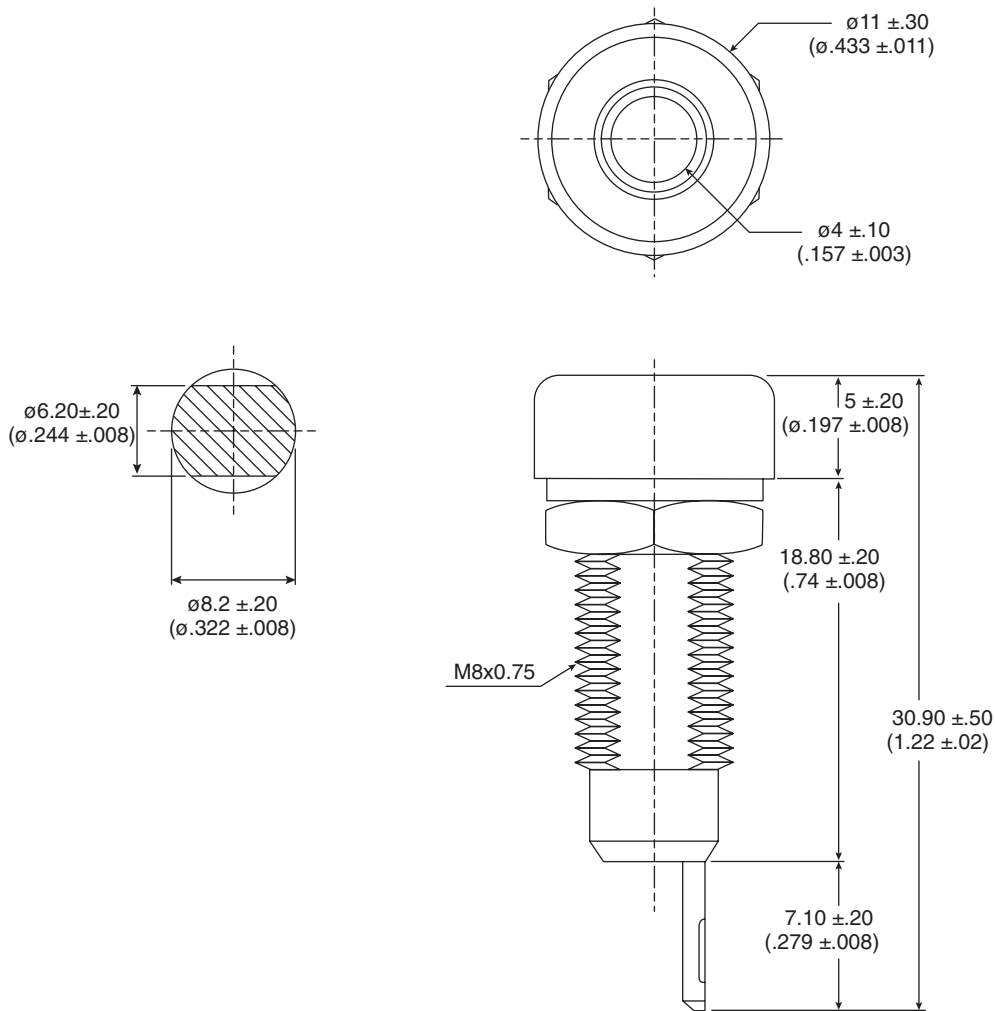


Banana Plugs

164-R122R-EX, 164-R122B-EX

KOBICONN

Banana Plugs



Dimensions: mm (in.)

Mouser Stock No.	Color
164-R122B-EX	Black
164-R122R-EX	Red

SPECIFICATIONS	
Rating:	10A / 125V AC
Insulator Resistance:	500V DC 100M Ω min.
Voltage Breakdown:	1000V AC 1 minute
Temperature Range:	-10° to +80°C
RoHS Compliant by Exemption	

MATERIALS	
Insulation:	Nylon
Metal:	Nickel plated brass
Panel Thickness:	.5 - 10mm

Date Last Revised: 6/29/12

Available from Mouser Electronics
1-800-346-6873 / www.mouser.com

KC-301094

Specifications are subject to change without notice. No liability or warranty implied by this information. Environmental compliance based on producer documentation.

164-R122R-EX, 164-R122B-EX

X-ON Electronics

Authorized Distributor

Click to view similar products for [Test Plugs & Test Jacks](#) category:

[125041/W](#) [1050762-1](#) [583-0500](#) [BU-P5697-300](#) [63.9358-21](#) [SPC15374](#) [65.9194-22](#)

[122506A#](#) [MDP-S-9#](#) [BU-7070-B-12-0](#)