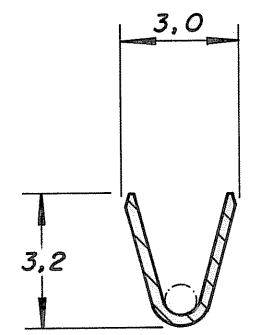
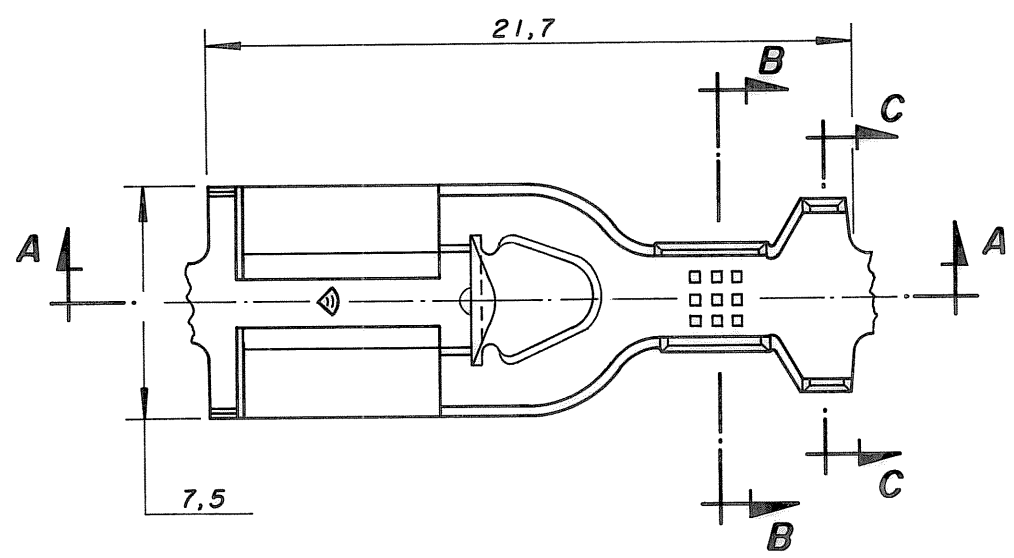
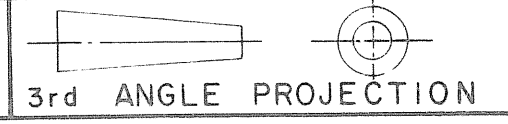


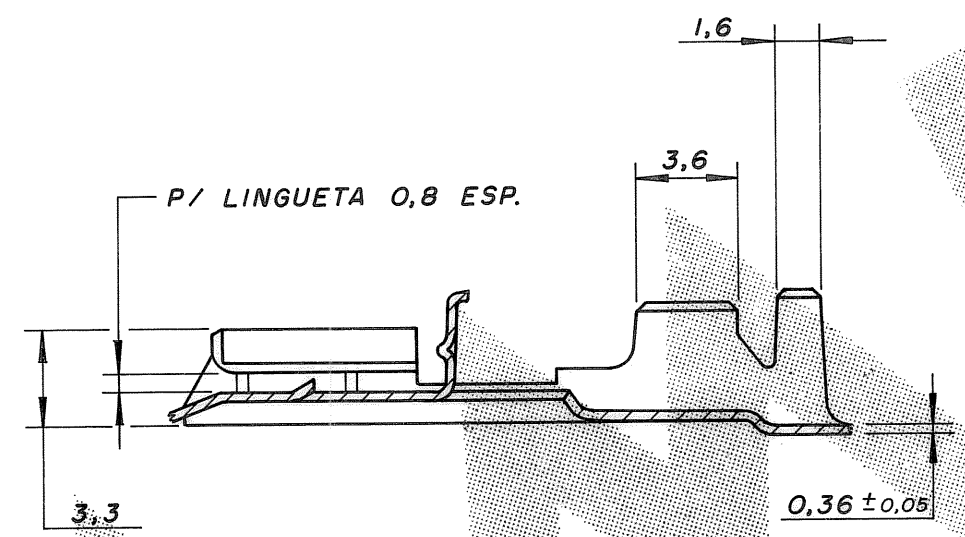
C 626581 1-1

DO NOT SCALE  
DIMENSIONS IN mm

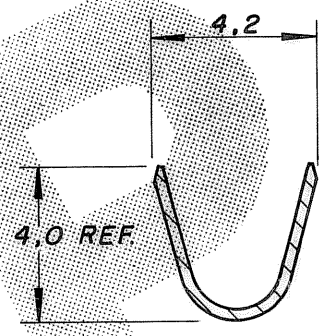
**METRIC**



SEÇÃO "BB"



SEÇÃO "AA"



SEÇÃO "CC"

—	PRÉ-ESTANHADO	LATÃO	626581-2
—	—	LATÃO	626581-1
OTHER TREATMENT	FINISH	MATERIAL	PART NUMBER
<b>CUSTOMER DWG</b> for REFERENCE ONLY			
THIS DRAWING IS UNPUBLISHED RELEASED FOR PUBLICATION 19 © COPYRIGHT 19 BY AMP DO BRASIL LTDA S.P. ALL INTERNATIONAL RIGHTS RESERVED AMP PRODUCTS MAY BE COVERED BY U.S. AND FOREIGN PATENTS AND/OR PATENTS PENDING.			
TOLERANCES UNLESS OTHERWISE STATED DEC. ± 0,4 ANGLES ± 1°		INS. DIA. RANGE 0 2,1 - 2,9 mm	WIRE RANGE 05 - 1,5 mm <sup>2</sup> SCALE
DR. VALTER		do BRASIL LTDA. São Paulo, Brasil	
CHK [Signature] 07/06/85		DESCRIPTION <b>POSITIVE LOCK RECEPT. MK II .250 S.</b>	
C REV. ECO-JD-009283	HC WLS MAY 10	DWG NO	SHEET
BI ECO-09-026444	KK AEG NOV 09	A3	1 OF 1
B HEDESENHADO C/ MODIF.	V.S. T.V. 02.12.86	C 626581	
ISS REVISION RECORD	DR CHK DATE	APP.	

## X-ON Electronics

Largest Supplier of Electrical and Electronic Components

*Click to view similar products for [Terminals](#) category:*

*Click to view products by [TE Connectivity](#) manufacturer:*

Other Similar products are found below :

[HT-13-10](#) [71M-250-32-NB](#) [01-2065-1-0216](#) [00581P0075](#) [M10-10RX](#) [M10BCK](#) [60205-1](#) [604200-1](#) [60598-1-CUT-TAPE](#) [60617-1-C](#) [60873-1](#) [M14-516R/SK](#) [M14-6RSX](#) [M18-10FLX](#) [M18-8FBX](#) [M18-8R/LX](#) [M18BCK](#) [61314-6-C](#) [61-S](#) [61-SN-A](#) [62149-1](#) [62-NBM-A](#) [63-S](#) [640179-1](#) [640917-2-CUT-TAPE](#) [6501550002](#) [66107-2-C](#) [696683-1](#) [696834-1](#) [696861-1](#) [696931-1](#) [696999-1](#) [M8-516RK](#) [M86700006](#) [MA250DMFMX-A](#) [701-2007](#) [701-2307](#) [701-7761-03](#) [70F-110-32-PB](#) [718-N-A](#) [71M-187-20-NBL](#) [71M-250-32-NBL](#) [72F-187-20-NBL](#) [72M-250-32-NBL](#) [7310](#) [73F-250-32](#) [73F-250-32-NBL](#) [73F-250-32-NL](#) [F14-10C](#) [F-1M](#)