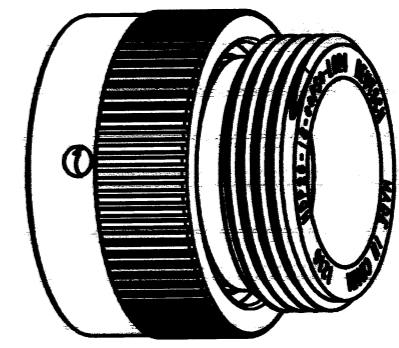
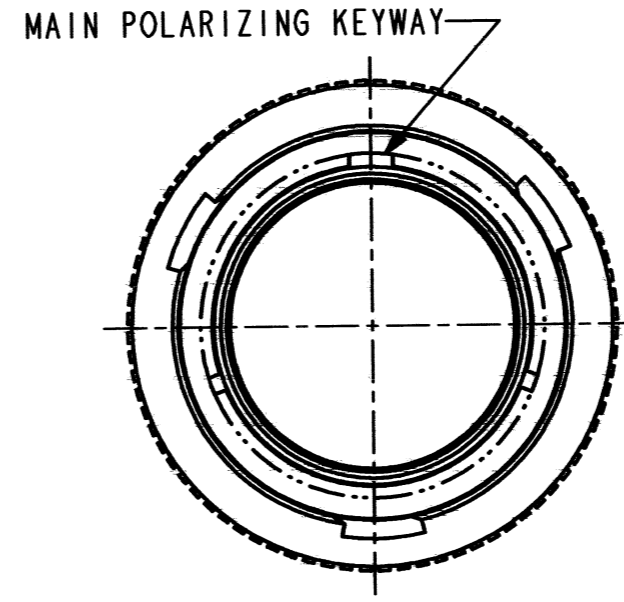
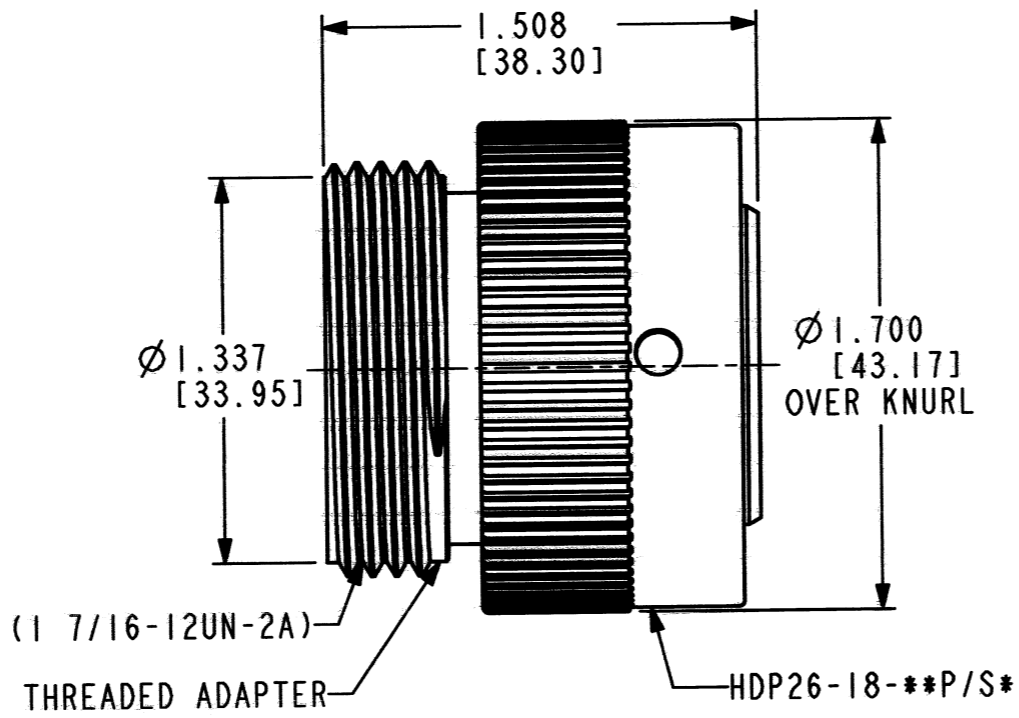
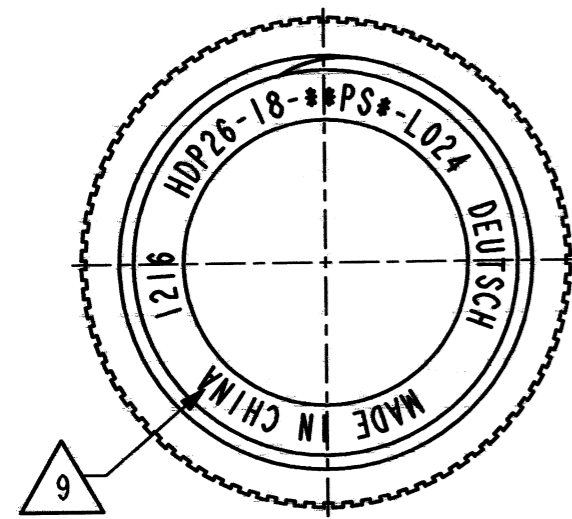


REV NC HDP26-18-***P/S*-L024

REVISIONS			
SYM	DESCRIPTION	DATE	APPROVED
NC	NEW RELEASE PER E.O. P21416	8/24/12	DM



3D VIEW

9. COUNTRY OF ORIGIN IF OTHER THAN USA.
EXAMPLE: MADE IN CHINA
8. MATERIAL: SHELL - PLASTIC, SEAL - RUBBER, INSULATION - PLASTIC
7. THIS PLUG MATES WITH HDP24-18-***P/S*-**** (****=ALL MODIFICATIONS)
6. DIMENSION TOLERANCE: ±.025 [.63] UNLESS NOTED OTHERWISE.
5. ALL DIMENSIONS ARE INCHES [MILLIMETERS].
4. THREADED ADAPTER COLOR REFLECTS WIRE SEAL DIAMETER.
(GREEN='N' SEAL; GREY='T' SEAL; BLUE='E' SEAL)
3. FOR PERFORMANCE AND APPLICATION CHARACTERISTICS
SEE ENVELOPE DRAWING 0425-021-0000.
2. FOR CONTACTS AND WIRE PERFORMANCE AND APPLICATION
CHARACTERISTICS SEE ENVELOPE DWG. 0425-015-0000.
1. FOR CONTACT ARRANGEMENTS, SEE ENVELOPE DRAWING 0425-013-1800.

NOTES:

	SIGNATURE & DATE
DR	I. GRANTCHAROVA 7/18/12
CHK	<i>[Signature]</i> 8/23/12
PE	<i>[Signature]</i> 8/23/12
APPD	<i>[Signature]</i> 8/24/12
SCALE	NONE WT

PLASTIC PLUG
CONNECTOR
BAYONET COUPLING
HDP SERIES, SIZE 18
-L024 MOD
ENVELOPE

EP	MATL. CODE
3850 INDUSTRIAL AVE. HEMET, CA 92545 DEUTSCH INDUSTRIAL	
B HDP26-18-***P/S*-L024	
DWG SIZE	SHEET OF
11139	

X-ON Electronics

Largest Supplier of Electrical and Electronic Components

Click to view similar products for [Automotive Connectors](#) category:

Click to view products by [TE Connectivity](#) manufacturer:

Other Similar products are found below :

[003-018-000](#) [600858](#) [60403001](#) [60993906-B](#) [60993913-B](#) [629515004020001](#) [M902-2131](#) [M902-2161](#) [M902-2344](#) [72.330.1035.1](#)
[73.353.4028.0](#) [F118010](#) [F119300-B](#) [F132210](#) [F132210-B](#) [F166900](#) [F180100](#) [F258300](#) [F258300-B](#) [F294300-B](#) [F339100](#) [F339700](#) [F358300-](#)
[B](#) [F374110](#) [F407400](#) [F412210](#) [F427600](#) [F444110](#) [F487000](#) [F495100-B](#) [F500900-B](#) [F509500B-B](#) [770444-1](#) [776880-1](#) [827153-1](#) [881735-1](#)
[8N1515-32-24P](#) [9-1326729-8](#) [925467-1](#) [925474-1](#) [928905-1](#) [936398-2](#) [964562-1](#) [964562-4](#) [964731-2](#) [965051-1](#) [968782-1](#) [GT17SA-8DS-](#)
[HU](#) [GT17VS-10DP-5.2CF](#) [98315-0001](#)