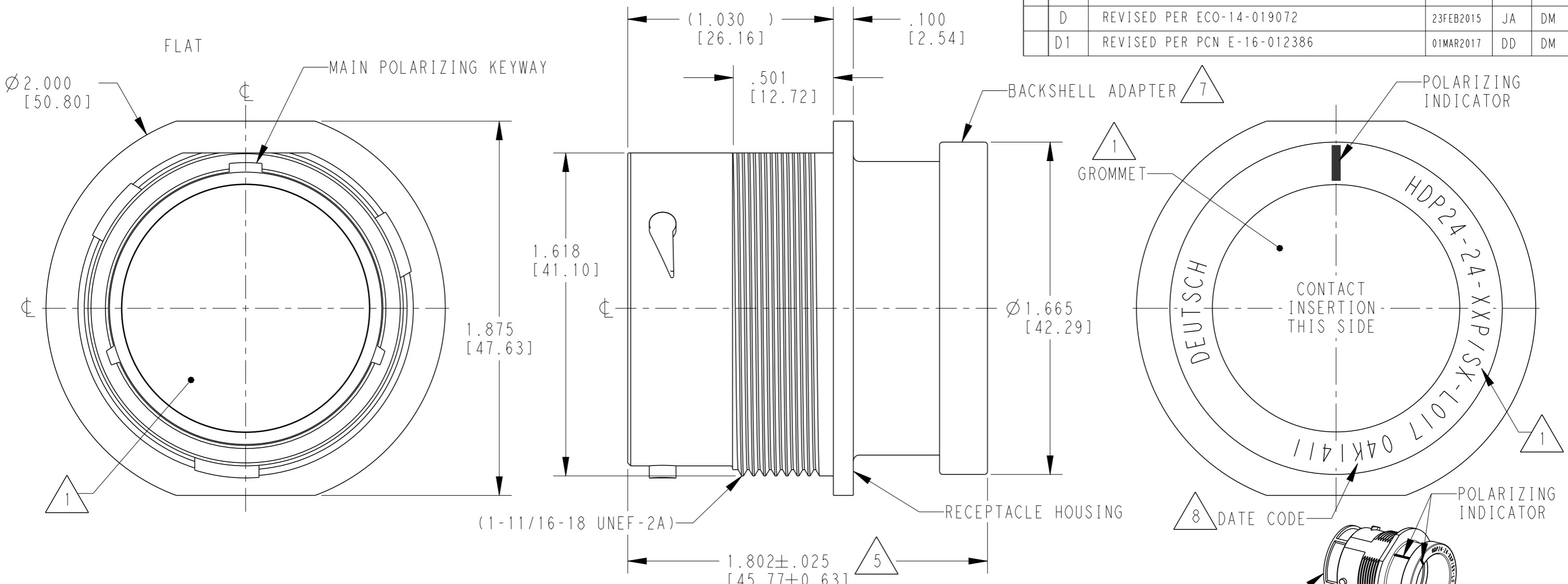


LOC	DIST	REVISIONS			
P	LTR	DESCRIPTION	DATE	DWN	APVD
	B	REVISED PER E.O. P17811	24JUL2002	XS	RDR
	C	REVISED PER E.O. P21412	20JUL2012	AM	RDR
	D	REVISED PER ECO-14-019072	23FEB2015	JA	DM
	D1	REVISED PER PCN E-16-012386	01MAR2017	DD	DM



- 5 NOTED DIMENSION DOES NOT INCLUDE GROMMET PROTRUSION.
- 4 MATERIAL: RECEPTACLE HOUSING: PA66 GF10 (BLACK)  
 BACKSHELL ADAPTER: PA66 GF10 (GREEN, GRAY, BLUE)  
 GROMMET: SILICONE (ORANGE-RED)
- 7 PART MODIFICATION: BACKSHELL ADAPTER ACCEPTS BACKSHELLS:  
 2428-004-2405, 2428-008-2405  
 2428-010-2405, 2428-011-2405
- 8 DATE CODE: IDENTIFIES THE YEAR, MONTH, DAY AND HOUR OF ASSEMBLY.  
 YEAR: FIRST AND SECOND DIGITS. (14 = 2014)  
 MONTH: THRID DIGIT, EXCLUDING I. A = JAN., B = FEB., C = MARCH... (K = OCTOBER)  
 DAY: FOURTH AND FIFTH DIGITS (14 = 14th DAY)  
 HOUR: SIXTH AND SEVENTH DIGITS (11 = 11AM)
- 6. RECEPTACLE IS SUPPLIED WITH DUST CAP (2415-001-2405).
- 3 SEE 0425-021-0000 APPLICATION SPECIFICATION  
 A. RECOMMENDED WIRE INSULATION RANGE  
 B. CONTACT REMOVAL TOOLS  
 C. RECOMMENDED MOUNTING HOLE & PANEL THICKNESS  
 D. MOUNTING HARDWARE & MOUNTING TORQUE

2. THIS RECEPTACLE MATES WITH HDP26-24-XXP/SX-XXXX PLUG  
 X = SEAL TYPE (N,T,E)  
 XX = INSERT ARRANGEMENT  
 XXXX = MODIFICATION

1 SEE CUSTOMER DRAWING, 0425-014-2400 FOR AVAILABLE INSERT ARRANGEMENTS AND PART NUMBERS.

NOTES:

THIS DRAWING IS A CONTROLLED DOCUMENT.		DWN J. WOODY 115APR1998	 TE Connectivity			
DIMENSIONS: INCHES [mm]		CHK PAUL BURKE 19JUL2002				
TOLERANCES UNLESS OTHERWISE SPECIFIED:		APVD STEVE BEARD 23JUL2002	NAME RECEPTACLE, THREADED SIZE 24, -L017 MOD HDP SERIES			
0 PLC ± 1 PLC ± 2 PLC ± 3 PLC ±.015 [0.38] 4 PLC ± ANGLES ±0°30'0"		PRODUCT SPEC 0425-021-0000	SIZE A3	CAGE CODE 4AFU8	DRAWING NO HDP24-24-XXP/SX-L017	RESTRICTED TO -
MATERIAL 4		FINISH N/A	SCALE 2:1		SHEET 1 OF 1	REV D1

## X-ON Electronics

Largest Supplier of Electrical and Electronic Components

*Click to view similar products for [Automotive Connectors](#) category:*

*Click to view products by [TE Connectivity](#) manufacturer:*

Other Similar products are found below :

[003-018-000](#) [600858](#) [60403001](#) [60993906-B](#) [60993913-B](#) [629515004020001](#) [M902-2131](#) [M902-2161](#) [M902-2344](#) [72.330.1035.1](#)  
[73.353.4028.0](#) [F118010](#) [F119300-B](#) [F132210](#) [F132210-B](#) [F166900](#) [F180100](#) [F258300](#) [F258300-B](#) [F294300-B](#) [F339100](#) [F339700](#) [F358300-](#)  
[B](#) [F374110](#) [F407400](#) [F412210](#) [F427600](#) [F444110](#) [F487000](#) [F495100-B](#) [F500900-B](#) [F509500B-B](#) [770444-1](#) [776880-1](#) [827153-1](#) [881735-1](#)  
[8N1515-32-24P](#) [9-1326729-8](#) [925467-1](#) [925474-1](#) [928905-1](#) [936398-2](#) [964562-1](#) [964562-4](#) [964731-2](#) [965051-1](#) [968782-1](#) [GT17SA-8DS-](#)  
[HU](#) [GT17VS-10DP-5.2CF](#) [98315-0001](#)