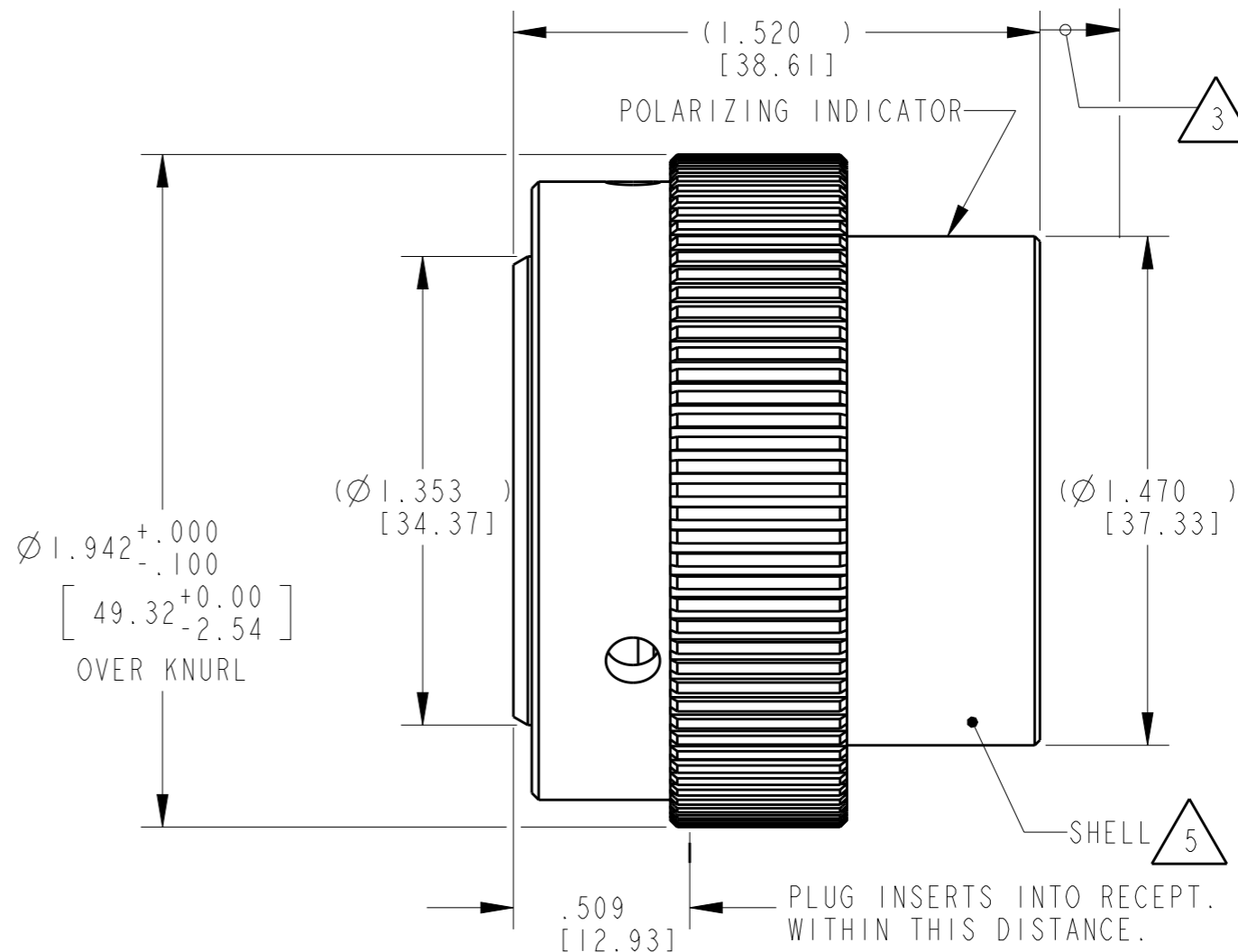
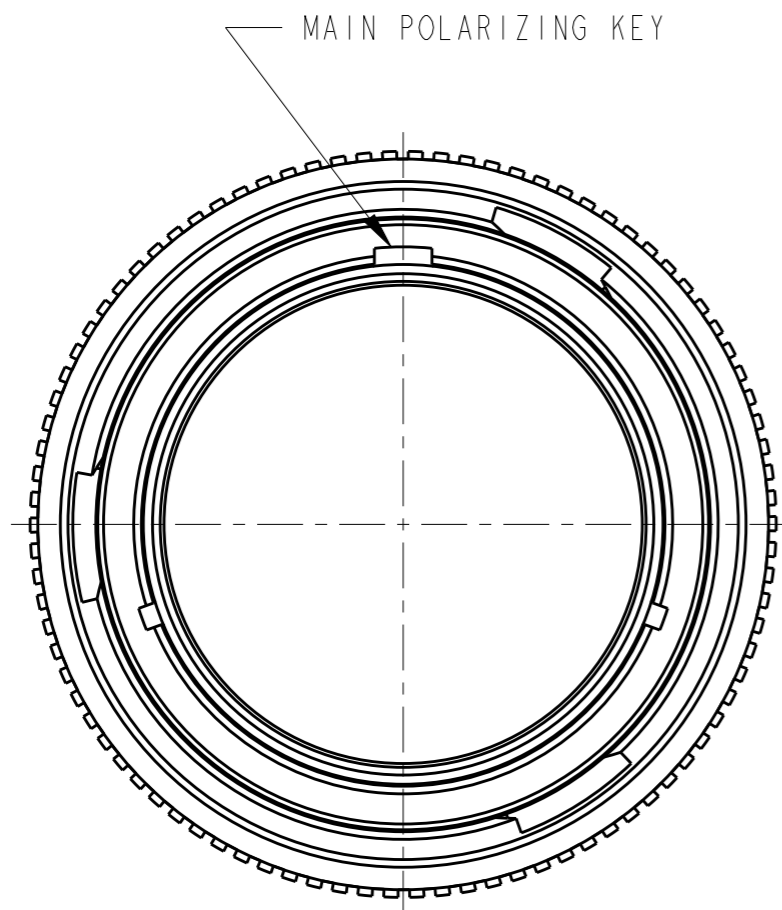


| LOC | DIST | REVISIONS | | | |
|-----|------|-------------|-----------------------------|-----------|-------|
| P | LTR | DESCRIPTION | DATE | DWN | APVD |
| - | - | NC | NEW RELEASE PER E.O. A14915 | 04DEC1995 | - RDR |
| | | A | REVISED PER E.O. P18134 | 23MAY2003 | - RDR |
| | | B | REVISED PER E.O. P18565 | 20SEP2004 | - RDR |
| | | B1 | REVISED PER ECO-15-001798 | 12AUG2014 | PV DM |



5. MATERIAL:
 PLUG HOUSING: AL 6000 SERIES
 SHELL MATERIAL: METAL
 INSULATOR : PLASTIC

4. THIS SHELL MATES WITH HD34-24-XXP/SX-XXXX

3. TOTAL DIM. WITH EXTENDED WIRE SEAL (WITH CONTACTS #4 OR #8 ONLY) = 1.750±.050 [44.45±1.27].

2. SEE DRAWING 0425-014-2400 FOR ARRANGEMENT OF CONTACT LOCATION.

1. CONSULT THE FACTORY FOR ELECTRICAL AND MATERIAL SPECIFICATIONS.

NOTES:

| | | | | | | | |
|--|--|--------------------------------------|--|----------------|--------------------------------|--------------------|-----------|
| THIS DRAWING IS A CONTROLLED DOCUMENT. | | DWN VIJETH BHARADWAJ 30OCT2014 | TE Connectivity | | | | |
| DIMENSIONS: INCHES [mm] | | CHK I. GRANTCHAROVA 31OCT2014 | | | | | |
| TOLERANCES UNLESS OTHERWISE SPECIFIED: | | APVD D. MEYER 31OCT2014 | NAME PLUG CONNECTOR, SHELL SIZE 24 BAYONET COUPLING HD30 SERIES | | | | |
| | | PRODUCT SPEC 0425-015-0000 | SIZE A3 | CAGE CODE - | DRAWING NO C=HD36-24-XXP/SX | RESTRICTED TO - | |
| MATERIAL SEE NOTE | | APPLICATION SPEC 0425-016-0000 | SCALE 2:1 | | SHEET 1 | OF 1 | REV B1 |
| FINISH - | | WEIGHT - | Customer Drawing | | | | |

X-ON Electronics

Largest Supplier of Electrical and Electronic Components

Click to view similar products for [Automotive Connectors](#) category:

Click to view products by [TE Connectivity](#) manufacturer:

Other Similar products are found below :

[003-018-000](#) [600858](#) [60403001](#) [60993906-B](#) [60993913-B](#) [629515004020001](#) [M902-2131](#) [M902-2161](#) [M902-2344](#) [72.330.1035.1](#)
[73.353.4028.0](#) [F118010](#) [F119300-B](#) [F132210](#) [F132210-B](#) [F166900](#) [F180100](#) [F258300](#) [F258300-B](#) [F294300-B](#) [F339100](#) [F339700](#) [F358300-](#)
[B](#) [F374110](#) [F407400](#) [F412210](#) [F427600](#) [F444110](#) [F487000](#) [F495100-B](#) [F500900-B](#) [F509500B-B](#) [770444-1](#) [776880-1](#) [827153-1](#) [881735-1](#)
[8N1515-32-24P](#) [9-1326727-8](#) [9-1326729-8](#) [925467-1](#) [925474-1](#) [928905-1](#) [936398-2](#) [964562-1](#) [964562-4](#) [964731-2](#) [965051-1](#) [968782-1](#)
[GT17SA-8DS-HU](#) [GT17VS-10DP-5.2CF](#)