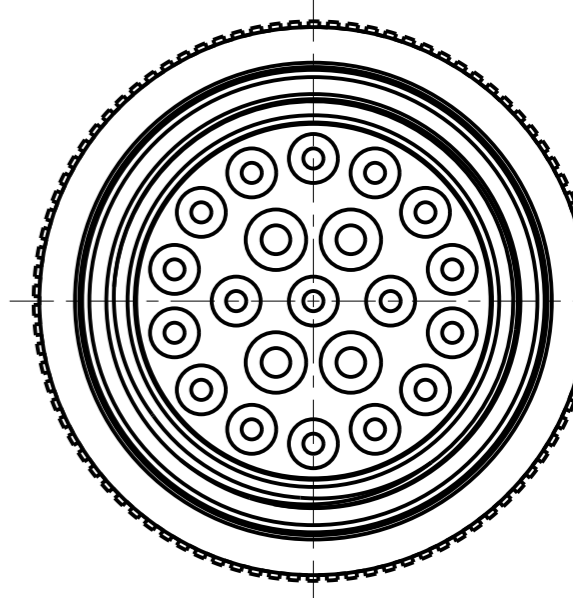
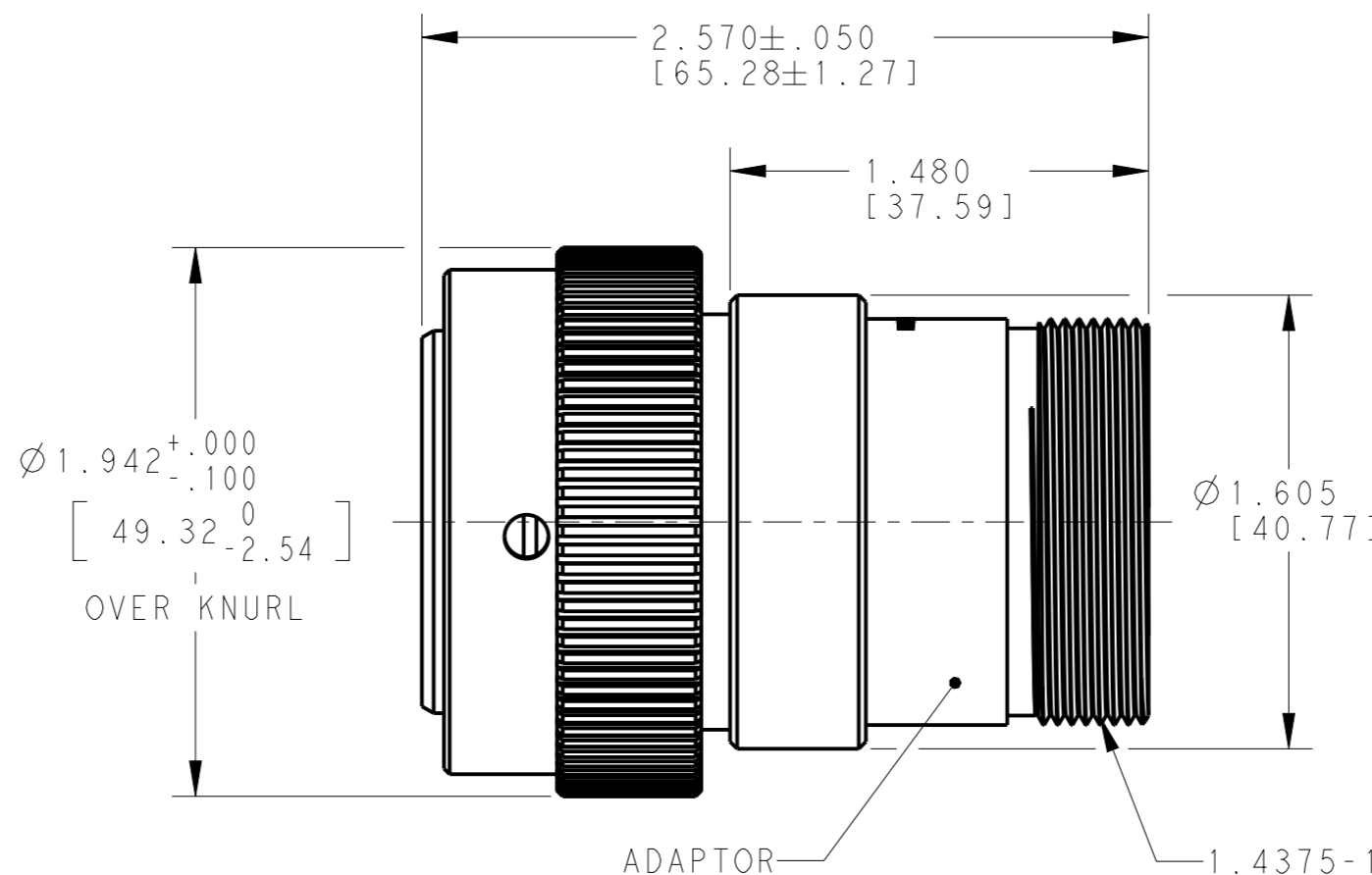
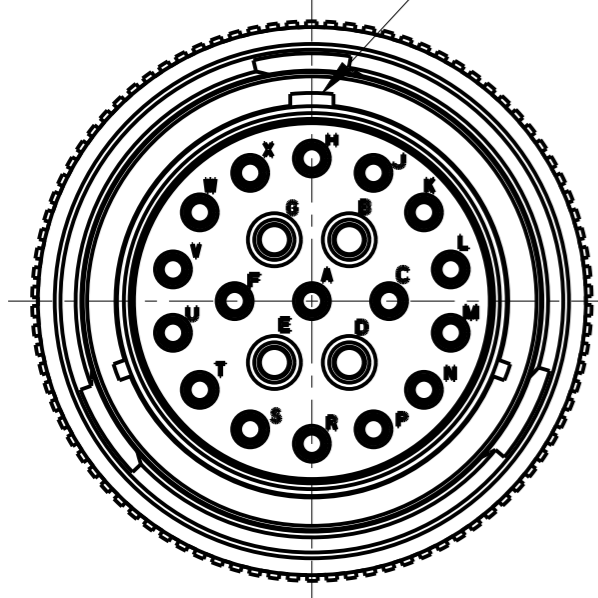


LOC	DIST	REVISIONS			
P	LTR	DESCRIPTION	DATE	DWN	APVD
	A	NEW RELEASE PER ECO-14-013992	06OCT2014	JA	DM



MAIN POLARIZING KEY



- 6. MATERIAL: SHELL, COUPLING RING AND ADAPTOR: ALUMINUM ALLOY 6061-T6, SEAL: SILICONE MQ.
- 5. FOR ARRANGEMENT OF CONTACT LOCATION SEE ENVELOPE DWG 0425-014-2400.
- 4. FOR CONNECTOR PERFORMANCE AND APPLICATION INFORMATION, SEE DRAWING NUMBER 0425-016-0000.
- 3. THIS CONNECTOR MATES WITH PART NO. HD34-24-XXS/PX-XXXX. XX= NUMBER OF CAVITIES, X= TYPE OF SEAL, XXXX= ALL MODIFICATION.
- 2. 21 PIN ARRANGEMENT SHOWN FOR REFERENCE ONLY.
- 1. CONSULT FACTORY FOR ELECTRICAL AND MATERIAL SPECIFICATIONS.

NOTES:

THIS DRAWING IS A CONTROLLED DOCUMENT.		DWN 06OCT2014 JAIME C. APOSTOL				
DIMENSIONS: INCHES [mm]		CHK 06OCT2014 ILINA GRANICHAROVA				
TOLERANCES UNLESS OTHERWISE SPECIFIED:		APVD 06OCT2014 DAVID MEYER	NAME PLUG CONNECTOR SIZE 24 BAYONET COUPLING -L005 MOD HD SERIES			
0 PLC ± 1 PLC ± 2 PLC ± 3 PLC ±.025 [.63] 4 PLC ± ANGLES ±0°30'0"		PRODUCT SPEC N/A	SIZE A3	CAGE CODE 4AFU8	DRAWING NO HD36-24-XXP/SX-L005	RESTRICTED TO -
MATERIAL 6	FINISH N/A	APPLICATION SPEC N/A	WEIGHT N/A	SCALE 3:2 SHEET 1 OF 1 REV A		
		Customer Drawing				

## X-ON Electronics

Largest Supplier of Electrical and Electronic Components

*Click to view similar products for [Automotive Connectors](#) category:*

*Click to view products by [TE Connectivity](#) manufacturer:*

Other Similar products are found below :

[003-018-000](#) [600858](#) [60403001](#) [60993906-B](#) [60993913-B](#) [629515004020001](#) [M902-2131](#) [M902-2161](#) [M902-2344](#) [72.330.1035.1](#)  
[73.353.4028.0](#) [F118010](#) [F119300-B](#) [F132210](#) [F132210-B](#) [F166900](#) [F180100](#) [F258300](#) [F258300-B](#) [F294300-B](#) [F339100](#) [F339700](#) [F358300-](#)  
[B](#) [F374110](#) [F407400](#) [F412210](#) [F427600](#) [F444110](#) [F487000](#) [F495100-B](#) [F500900-B](#) [F509500B-B](#) [770444-1](#) [776880-1](#) [827153-1](#) [881735-1](#)  
[8N1515-32-24P](#) [9-1326727-8](#) [9-1326729-8](#) [925467-1](#) [925474-1](#) [928905-1](#) [936398-2](#) [964562-1](#) [964562-4](#) [964731-2](#) [965051-1](#) [968782-1](#)  
[GT17SA-8DS-HU](#) [GT17VS-10DP-5.2CF](#)