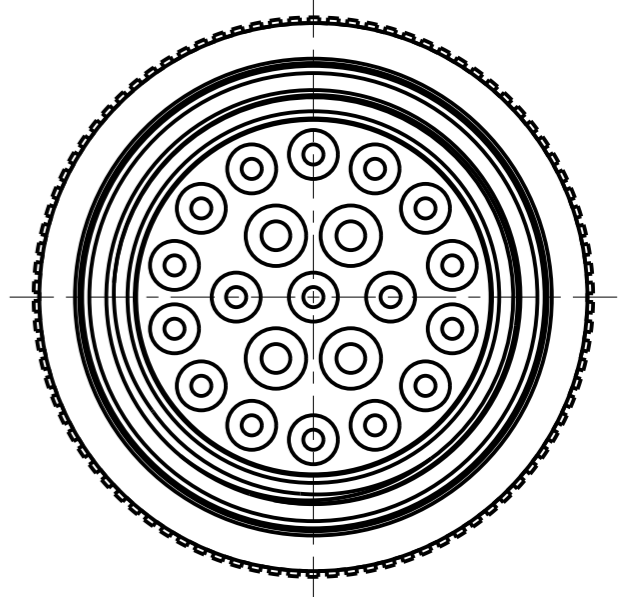
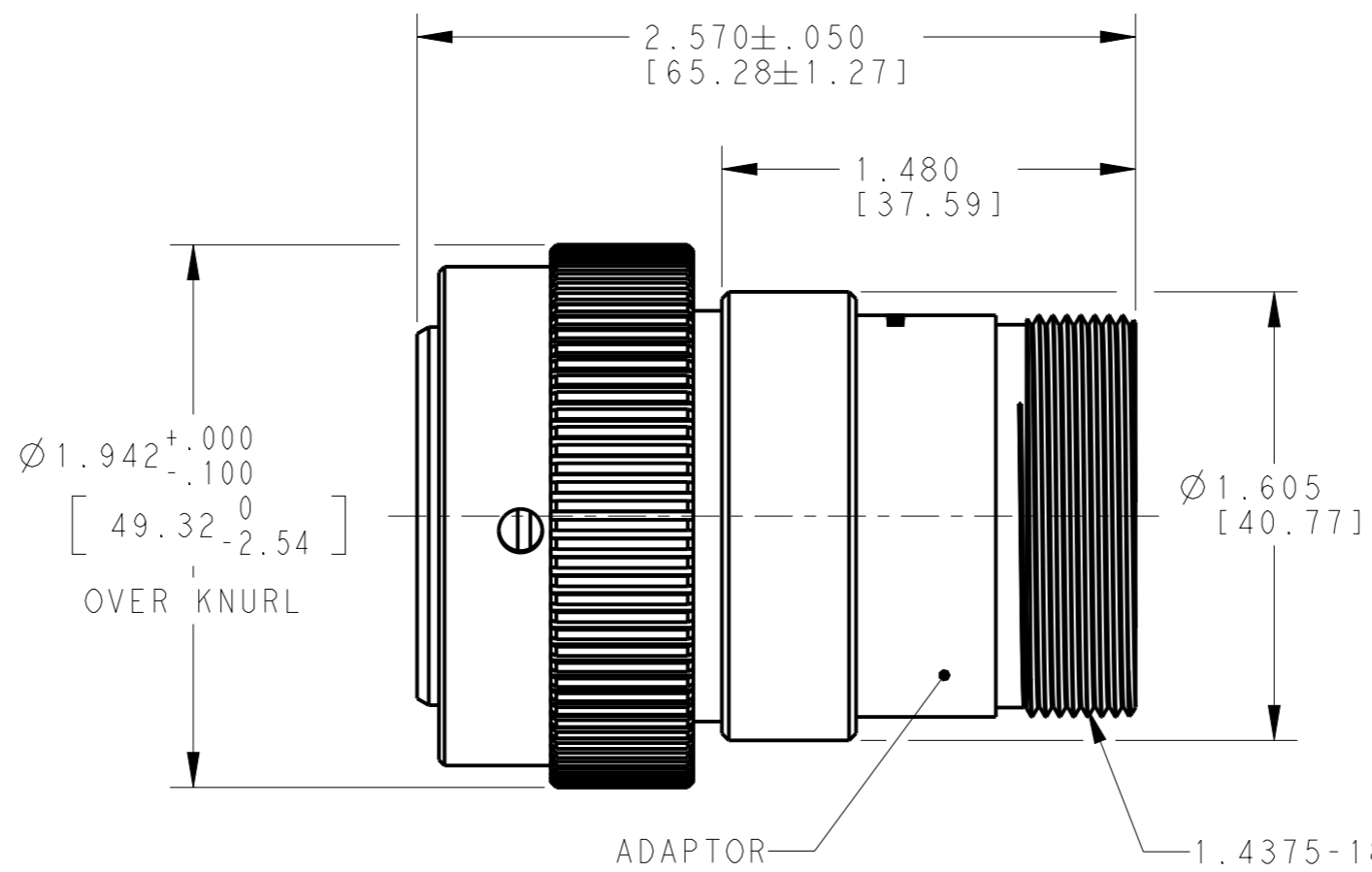
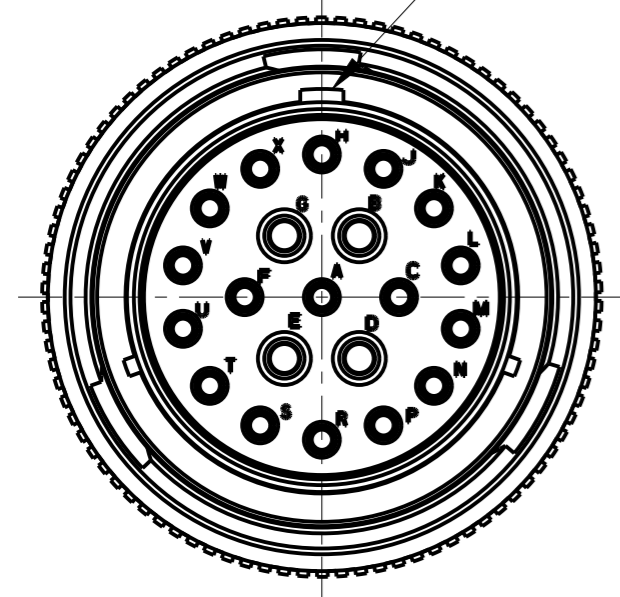


THIS DRAWING IS UNPUBLISHED  
RELEASED FOR PUBLICATION 2014  
2014  
COPYRIGHT 2014 BY TE CONNECTIVITY ALL RIGHTS RESERVED.

LOC		DIST		REVISIONS			
P	LTR	DESCRIPTION	DATE	DWN	APVD		
	A	NEW RELEASE PER ECO-14-013992	06OCT2014	JA	DM		



MAIN POLARIZING KEY



- 6. MATERIAL: SHELL, COUPLING RING AND ADAPTOR: ALUMINUM ALLOY 6061-T6, SEAL: SILICONE MQ.
- 5. FOR ARRANGEMENT OF CONTACT LOCATION SEE ENVELOPE DWG 0425-014-2400.
- 4. FOR CONNECTOR PERFORMANCE AND APPLICATION INFORMATION, SEE DRAWING NUMBER 0425-016-0000.
- 3. THIS CONNECTOR MATES WITH PART NO. HD34-24-XXS/PX-XXXX. XX= NUMBER OF CAVITIES, X= TYPE OF SEAL, XXXX= ALL MODIFICATION.
- 2. 21 PIN ARRANGEMENT SHOWN FOR REFERENCE ONLY.
- 1. CONSULT FACTORY FOR ELECTRICAL AND MATERIAL SPECIFICATIONS.

NOTES:

THIS DRAWING IS A CONTROLLED DOCUMENT.		DWN 06OCT2014 JAIME C. APOSTOL															
DIMENSIONS: INCHES [mm]		CHK 06OCT2014 ILINA GRANICHAROVA															
TOLERANCES UNLESS OTHERWISE SPECIFIED:		APVD 06OCT2014 DAVID MEYER		NAME PLUG CONNECTOR SIZE 24 BAYONET COUPLING -L005 MOD HD SERIES													
<table border="1"> <tr><td>0 PLC</td><td>±</td></tr> <tr><td>1 PLC</td><td>±</td></tr> <tr><td>2 PLC</td><td>±</td></tr> <tr><td>3 PLC</td><td>±.025 [.63]</td></tr> <tr><td>4 PLC</td><td>±</td></tr> <tr><td>ANGLES</td><td>±0°30'0"</td></tr> </table>		0 PLC	±	1 PLC	±	2 PLC	±	3 PLC	±.025 [.63]	4 PLC	±	ANGLES	±0°30'0"	PRODUCT SPEC N/A		SIZE A3	
0 PLC	±																
1 PLC	±																
2 PLC	±																
3 PLC	±.025 [.63]																
4 PLC	±																
ANGLES	±0°30'0"																
MATERIAL 6		FINISH N/A		CAGE CODE 4AFU8													
		APPLICATION SPEC N/A		DRAWING NO HD36-24-XXP/SX-L005													
		WEIGHT N/A		RESTRICTED TO -													
		Customer Drawing		SCALE 3:2 SHEET 1 OF 1 REV A													

## X-ON Electronics

Largest Supplier of Electrical and Electronic Components

*Click to view similar products for [Automotive Connectors](#) category:*

*Click to view products by [TE Connectivity](#) manufacturer:*

Other Similar products are found below :

[003-018-000](#) [600858](#) [60403001](#) [60993906-B](#) [60993913-B](#) [629515004020001](#) [M902-2131](#) [M902-2161](#) [M902-2344](#) [72.330.1035.1](#)  
[73.353.4028.0](#) [F118010](#) [F119300-B](#) [F132210](#) [F132210-B](#) [F166900](#) [F180100](#) [F258300](#) [F258300-B](#) [F294300-B](#) [F339100](#) [F339700](#) [F358300-](#)  
[B](#) [F374110](#) [F407400](#) [F412210](#) [F427600](#) [F444110](#) [F487000](#) [F495100-B](#) [F500900-B](#) [F509500B-B](#) [770444-1](#) [776880-1](#) [827153-1](#) [881735-1](#)  
[8N1515-32-24P](#) [9-1326729-8](#) [925467-1](#) [925474-1](#) [928905-1](#) [936398-2](#) [964562-1](#) [964562-4](#) [964731-2](#) [965051-1](#) [968782-1](#) [GT17SA-8DS-](#)  
[HU](#) [GT17VS-10DP-5.2CF](#) [98315-0001](#)